

Installation Instructions

Hyundai Santa Fe

Part Numbers:

75471

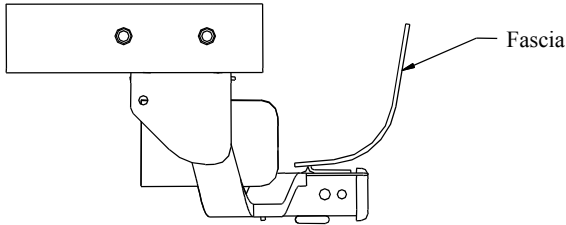
44549

87414

75221 UHAUL

**Do Not Exceed Lower of Towing Vehicle
Manufacturer's Rating or**

Hitch type	Max Gross Trailer WT (LB)	Max Tongue WT (LB)
Weight Distributing	Not For Use With Spring Bars	
Weight Carrying Ball Mount	3500 (1589 Kg)	525 (238 Kg)



Hitch Shown In Proper Position

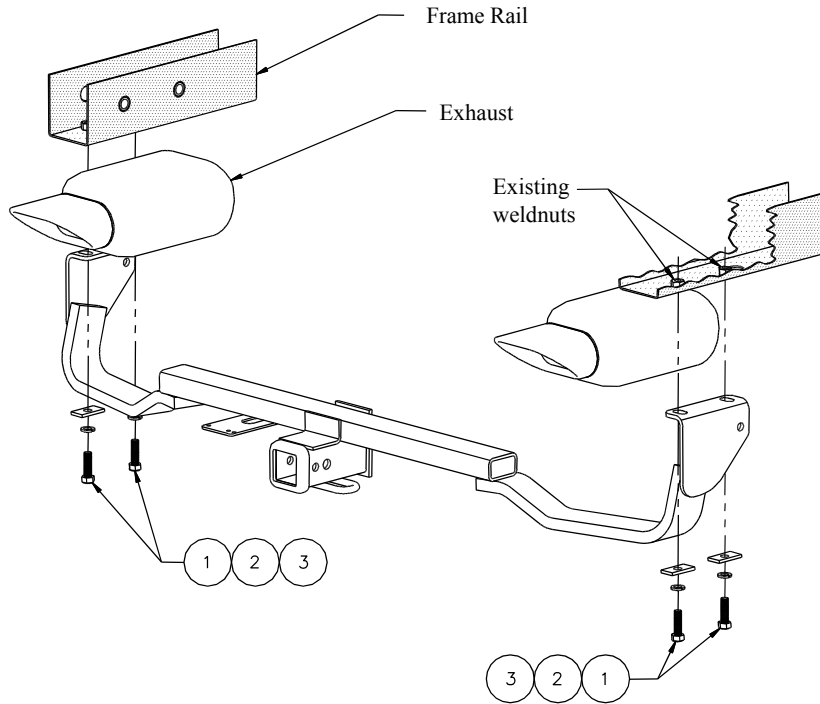
Equipment Required:

Fastener Kit: 75471F

Wrenches: 16mm

Drill Bits: None

Wiring Access Location: SUV3, SUV4



①	Qty. (4)	M10 X 1.25 X 30mm CL10.9	③	Qty. (4)	3/16 X 1.00 X 2.00 Block
②	Qty. (4)	7/16 Lockwasher			

1. Raise hitch into position.
2. Install M10 X 1.25 bolts 7/16 lockwasher and 3/16 X 1.00 X 2.00 Blocks into existing weldnuts inside vehicle frame rails.

Tighten all M10 X 1.25 CL10.9 fasteners with torque wrench to 59 Lb.-Ft. (80 N*M)

Note: check hitch frequently, making sure all fasteners and ball are properly tightened. If hitch is removed, plug all holes in trunk pan or other body panels to prevent entry of water and exhaust fumes. A hitch or ball which has been damaged should be removed and replaced. Observe safety precautions when working beneath a vehicle and wear eye protection. Do not cut access or attachment holes with a torch.