

Installation Instructions

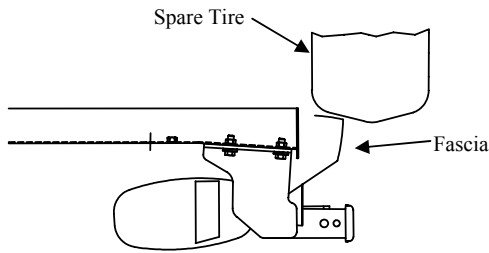
Suzuki Grand Vitara

Part Numbers:

75448

44543

87007



Hitch Shown In Proper Position

Equipment Required: Utility Knife

Fastener Kit: 75448F

Wrenches: 19 mm, Torque Wrench

Drill Bits: N/A

**Do Not Exceed Lower of Towing Vehicle
Manufacturer's Rating or**

Hitch type	Max Gross Trailer WT (LB)	Max Tongue WT (LB)
Weight Distributing	4000	400
Weight Carrying Ball Mount	3500	350

Wiring Access Location: SUV3, SUV4

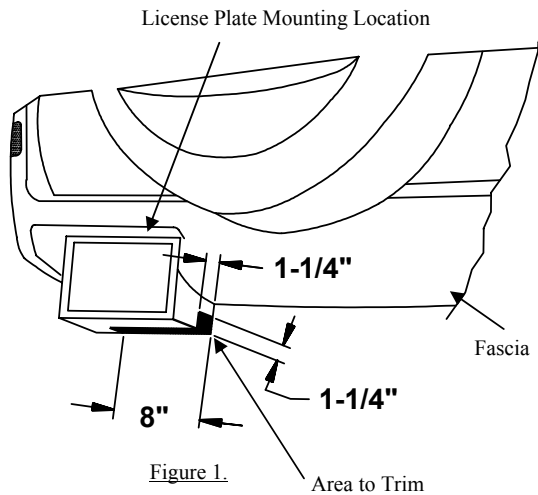


Figure 1.

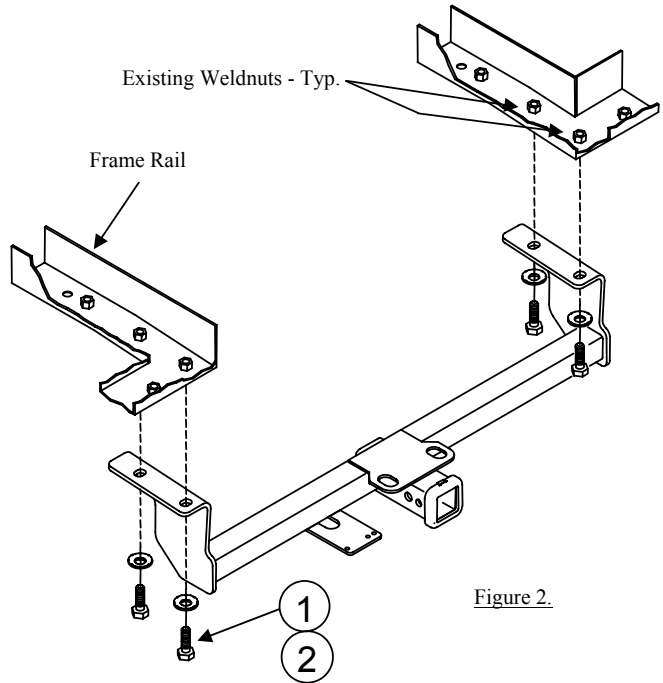


Figure 2.

①	Qty. (4)	Hex Bolt, M12 x 1.25 x 35mm CL8.8			
②	Qty. (4)	Conical Toothed Washer ½			

1. Notify vehicle owner that the fascia requires minor trimming to fit hitch.
2. Using a felt tipped pen, measure and mark an outline on the fascia described in Figure 1.
3. Using a utility knife, carefully cut out the fascia on the bottom inside section of the license plate mounting area as shown.
4. Raise hitch into position, aligning the holes in hitch with the two rearmost weldnuts in the bottom of frame rail, both sides.
5. Loosely install the M12 hex bolts and conical toothed washers, four places. Center hitch on fasteners.

Tighten all M12 CL8.8 fasteners with torque wrench to 76 Lb.-Ft.

Note: check hitch frequently, making sure all fasteners and ball are properly tightened. If hitch is removed, plug all holes in trunk pan or other body panels to prevent entry of water and exhaust fumes. A hitch or ball which has been damaged should be removed and replaced. Observe safety precautions when working beneath a vehicle and wear eye protection. Do not cut access or attachment holes with a torch.