

Installation Instructions

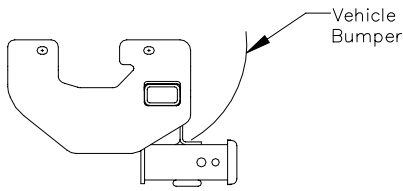
Hummer H3

Part Numbers:

75382

44177

87406



Hitch Shown In Proper Position

Equipment Required:

Fastener Kit: 75382F or 87406F

Wrenches: 21mm

Drill Bits: None

**Do Not Exceed Lower of Towing Vehicle
Manufacturer's Rating or**

Hitch type	Max Gross Trailer WT (LB)	Max Tongue WT (LB)
Weight Distributing	5,000	500
Weight Carrying Ball Mount	5,000	500

Wiring Access Location: SUV6

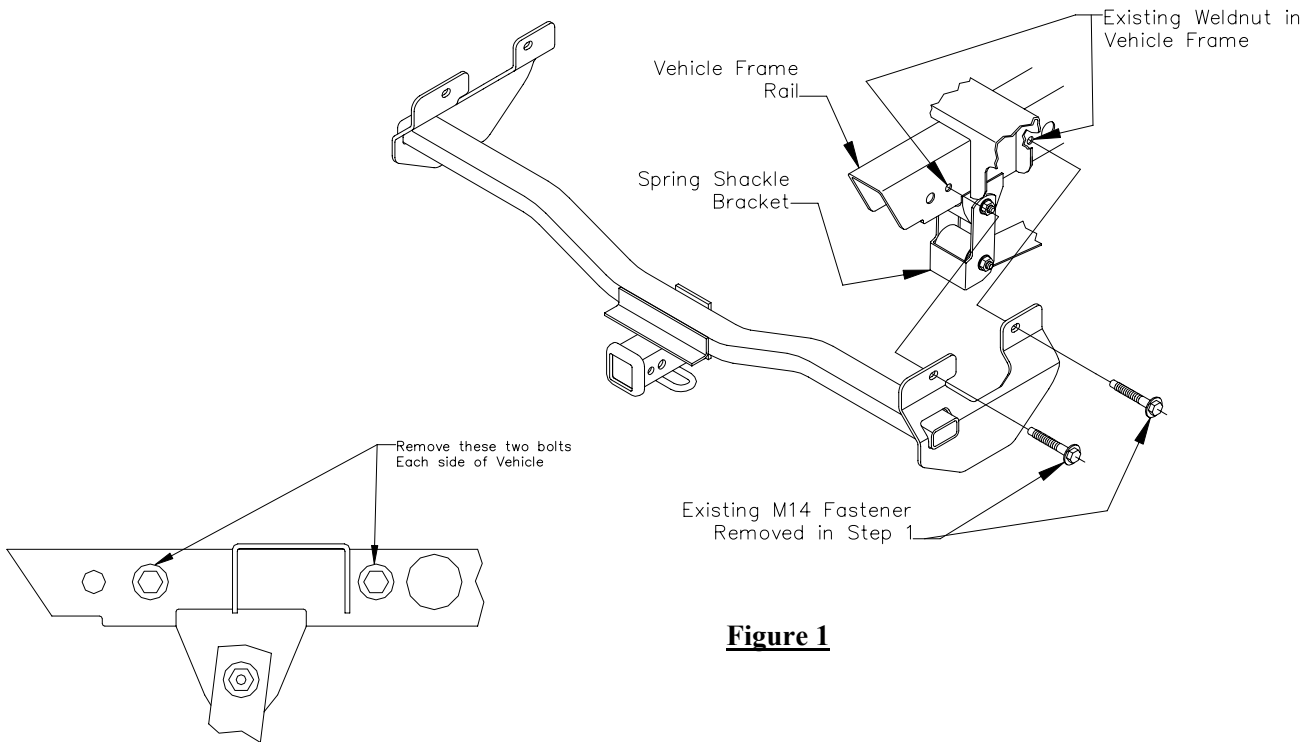


Figure 1

Figure 2

Outside of frame rail

1. Remove 2 bolts from outside of each frame rail (see figure 2). Retain bolts for installation of hitch.
2. Raise hitch into position.
Note: Lowering exhaust may ease installation.
3. Reinstall M14 fasteners removed in Step 1.

Tighten all M14 CL10.9 fasteners with torque wrench to 148 Lb.-Ft.

Note: check hitch frequently, making sure all fasteners and ball are properly tightened. If hitch is removed, plug all holes in trunk pan or other body panels to prevent entry of water and exhaust fumes. A hitch or ball which has been damaged should be removed and replaced. Observe safety precautions when working beneath a vehicle and wear eye protection. Do not cut access or attachment holes with a torch.