

Installation Instructions

Jeep Grand Cherokee Jeep Commander

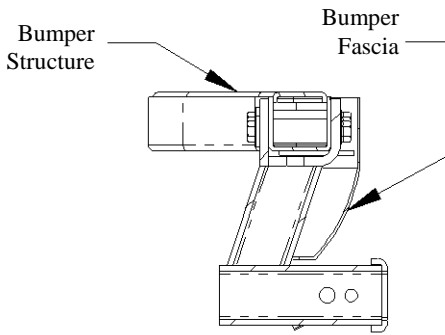
Part Numbers:

75338

33095

87752

78259 UHAUL



Hitch Shown In Proper Position

**Do Not Exceed Lower of Towing Vehicle
Manufacturer's Rating or**

Hitch type	Max Gross Trailer WT (LB)	Max Tongue WT (LB)
Weight Distributing	7500 (3405 Kg)	750 (341 Kg)
Weight Carrying Ball Mount	5000 (2270 Kg)	750 (341 Kg)

Equipment Required:

Fastener Kit: 75338N or 87752N

Wrenches: 3/4"

Wiring Access Location: SUV1, SUV2

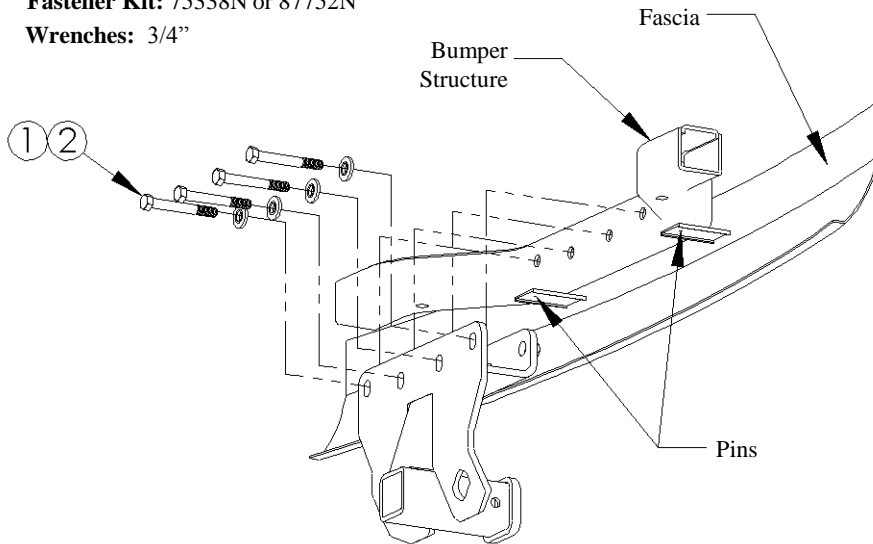


FIGURE 1

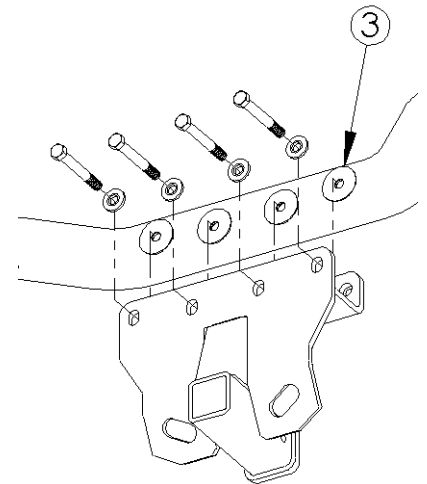


FIGURE 2

①	Qty. (4)	Hex Bolt, 1/2-13 x 4"	③	Qty. (8)	Flat Washer, 1/2"
②	Qty. (4)	Conical Washer, 1/2"			

For vehicles with OEM Tow Hook: Tow hook must be permanently removed for hitch installation. Installation time will increase from 20 Min. to 90 Min.

1. Lower the spare tire.
2. Remove two plastic pins that hold bumper fascia onto bumper structure as shown in Figure 1. (If OEM tow hook is present: Remove fascia, plastic bumper support and tow hook)
3. Gently pull fascia rearward about one inch and raise the hitch into position as shown in Figure 1.
4. If there is excessive gap between the vertical surfaces of the hitch and the bumper structures, flat washers should be used as shims. They can be held in place using cellophane tape. See Figure 2.
5. Secure hitch with fasteners. Fascia may contact the back of the hitch. (Reinstall fascia and plastic bumper support if removed in Step 2.)
6. Replace plastic pins in bumper fascia.
7. Raise the spare tire into storage position.

Tighten all 1/2-13 GR5 fasteners with torque wrench to 75 Lb.-Ft. (102 N*M)

Note: check hitch frequently, making sure all fasteners and ball are properly tightened. If hitch is removed, plug all holes in trunk pan or other body panels to prevent entry of water and exhaust fumes. A hitch or ball which has been damaged should be removed and replaced. Observe safety precautions when working beneath a vehicle and wear eye protection. Do not cut access or attachment holes with a torch.