

INSTALLATION INSTRUCTIONS

TOYOTA T100 PICKUP

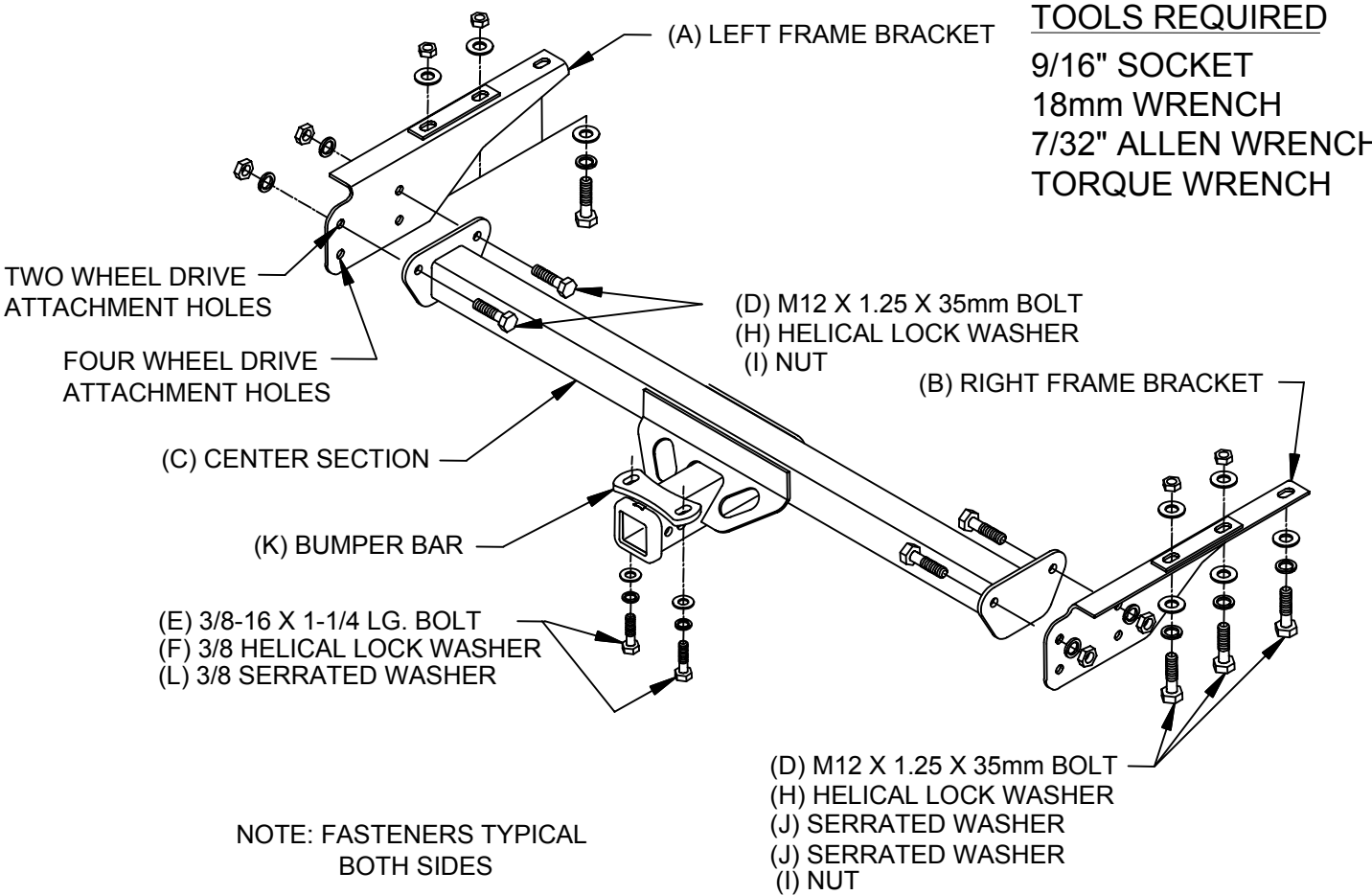
2WD & 4WD

Product No.
33022
75144
 SMALL PARTS
 PACKAGE 36573



WARNING: DO NOT LUBRICATE THREADS, BOLT FAILURE MAY OCCUR DUE TO OVER TIGHTENING.
WARNING: DO NOT DRILL OR WELD TO THIS HITCH.

IMPORTANT NOTES
 USE ONLY Towing Products SUPPLIED OR APPROVED BOLTS, LOCKNUTS, AND WASHERS TO INSTALL THIS HITCH



TOOLS REQUIRED
 9/16" SOCKET
 18mm WRENCH
 7/32" ALLEN WRENCH
 TORQUE WRENCH

1. All trucks, remove the two inner bolts along the bottom of the bumper using an allen wrench.
2. 4x4 trucks, Remove the four (2 each side) 12mm bolts that secure the frame reinforcement to the frame. This is inside the frame - above the leaf spring.
3. Install the frame brackets (A) and (B) with the flanges pointing outward. Position the brackets over the holes where the hardware was removed. Install bolt (D), lock washer (H), serrated washers (J), and nut (I). On 4x4 trucks, use the existing nuts in the reinforcement brackets. On 2wd trucks, use the existing nut in the frame. When you have finished installing this hitch on a 4x4 truck, there will be extra nuts and washers remaining in the parts bag.

4. Position the center section (C) between the frame brackets (A) and (B). Adjust the center section (C) so that the rear end of the hitch is just below the bumper. Install bolts (D) through the center section (C) and the frame brackets (A) and (B). Install lock washers (H) and nuts (I) on the bolts.
5. Adjust the hitch so that the holes in bar (K), at the end of the hitch, are under the bolt holes in the bottom of the bumper. Install bolts (E) with lock washers (F) and serrated washers (L) into the bottom of the bumper.
6. First, torque the 3/8" bolts (E) to 35 ft•lb. Next, torque the four 12mm nuts (I) to the center section (C). Torque these nuts to 75 ft•lb. Finally, torque the six 12mm bolts (D) in the frame brackets (A) and (B). Torque these bolts to 75 ft•lb.