

# INSTALLATION INSTRUCTIONS

VEHICLE	HITCH NO.
TOYOTA RAV 4	75125 33060
* EXCEPT SOME EARLY 1996 MODELS, SEE WARNING BELOW.	

EQUIPMENT REQUIRED:

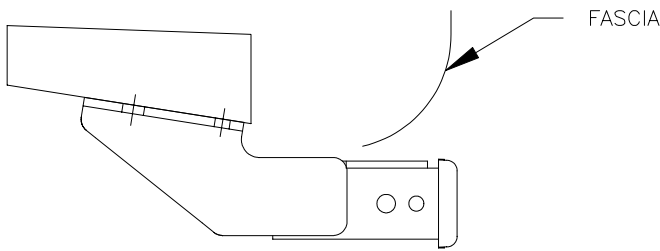
**WIRING ACCESS LOCATION:** SUV3, SUV4

**DRILL BITS:** NONE

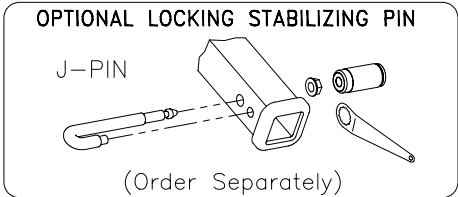
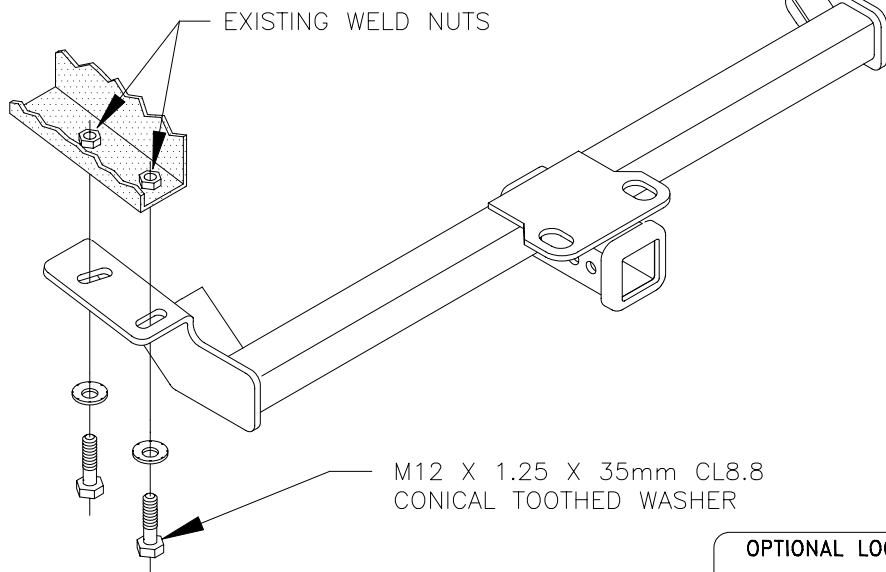
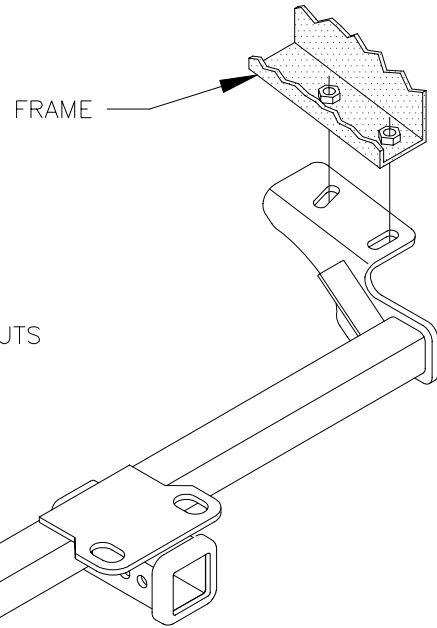
**HITCH REQUIRES 5/8" PIN AND CLIP IF STABILIZING PIN IS NOT INSTALLED.**

**WRENCHES:** (TIGHTEN ALL FASTENERS WITH TORQUE WRENCH) 17mm, 19mm

3500 LB MAX GROSS TRAILER WT  
350 LB MAX TONGUE WEIGHT  
DO NOT EXCEED TOWING VEHICLE RATINGS  
DO NOT USE WITH WEIGHT-DISTRIBUTING (SPRING BAR TYPE) HITCH.



HITCH SHOWN IN PROPER POSITION



**NOTE: FASTENERS TYPICAL BOTH SIDES**

1. REMOVE THE TWO BOLTS AND TIE-DOWN BRACKETS FROM VEHICLE FRAME EACH SIDE. RETURN TIE-DOWN BRACKETS TO VEHICLE OWNER FOR REINSTALLATION IF THE HITCH IS REMOVED.
2. RAISE HITCH INTO POSITION AND INSTALL TWO (2) M12 X 1.25 X 35MM BOLTS, AND CONICAL TOOTHED WASHERS INTO EXISTING WELD NUTS AS SHOWN, EACH SIDE.  
TIGHTEN ALL M12 CL8.8 68 LB-FT.

\* **WARNING: EARLY 1996 MODELS**  
IF VEHICLE IS EQUIPPED WITH M10 FASTENERS, DO NOT INSTALL HITCH.  
FAILURE TO HEED WARNING COULD RESULT IN SERIOUS INJURY OR DEATH.

APPROX WEIGHT (LB.)	FASTENER KIT
25	F75125

NOTE: Check hitch frequently, making sure all fasteners and ball are properly tightened. If hitch is removed, plug all holes in trunk pan or other body panels to prevent entry of water and exhaust fumes. A hitch or ball which has been damaged should be removed and replaced. Observe safety precautions when working beneath a vehicle and wear eye protection. Follow car maker's specs for maximum trailer weight and tongue weight. Do not cut access or attachment holes with a torch.