

# INSTALLATION INSTRUCTIONS

## TOYOTA TUNDRA

Product No.

**33049**

**75105 87588**

SMALL PARTS  
PACKAGE K75105

**TOWING PRODUCTS**

**WARNING:** DO NOT LUBRICATE THREADS, BOLT FAILURE MAY OCCUR DUE TO OVER TIGHTENING.  
**WARNING:** DO NOT DRILL OR WELD TO THIS HITCH.

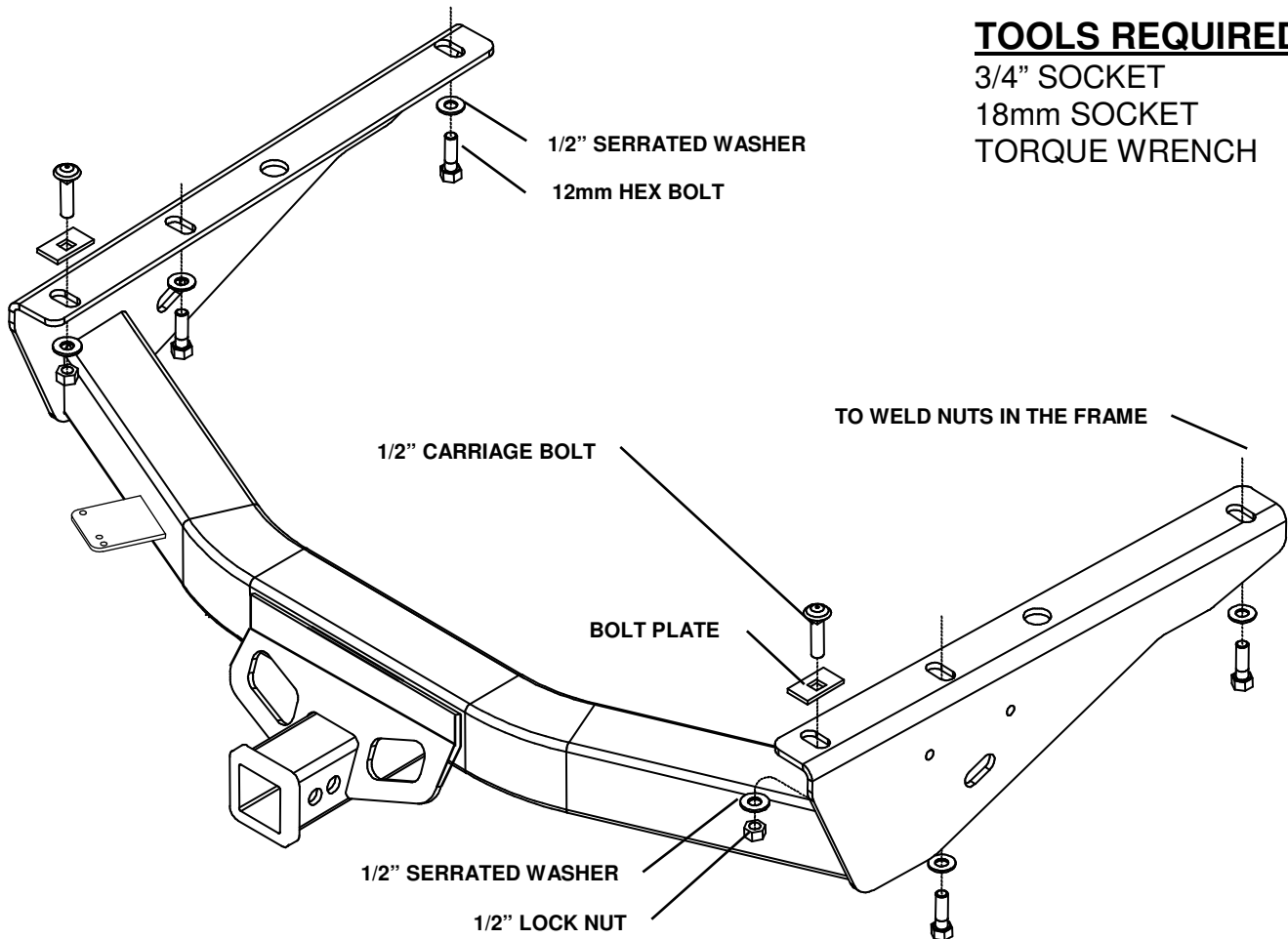
**IMPORTANT NOTES**  
USE ONLY TOWING PRODUCTS SUPPLIED OR APPROVED BOLTS, LOCKNUTS, AND WASHERS TO INSTALL THIS HITCH

### TOOLS REQUIRED

3/4" SOCKET

18mm SOCKET

TORQUE WRENCH



1. Lift the receiver up to the frame of the vehicle. Locate the large holes in the receiver brackets over the rivet heads in the frame.
2. Install four (4) 1/2" serrated washers over four (4) 12mm hex bolts and insert the bolts up through the receiver brackets and into the weld nuts in the frame. See the diagram above.
3. Install two (2) bolt plates over two (2) 1/2" carriage bolts and insert the bolts down through the frame and the receiver brackets. Install 1/2" serrated washers and 1/2" lock nuts on the bolts. See the diagram above.
4. Torque the 12mm bolts to 75 LB-FT.  
Torque the 1/2" nuts to 75 LB-FT.