

INSTALLATION INSTRUCTIONS

CHEVROLET S-10 PICKUP
 GMC SONOMA PICKUP
 (INCLUDING SPORT SIDE
 BED MODELS)
 GMC S-15 PICKUP
 ISUZU HOMBRE

75085
 87464

EQUIPMENT REQUIRED:

WIRING ACCESS LOCATION: PU3

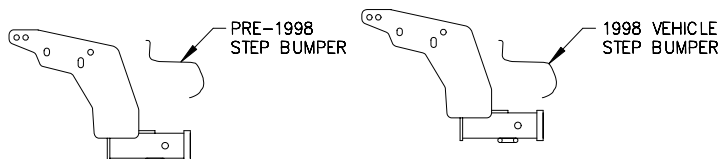
DRILL BITS:

HITCH REQUIRES 5/8" PIN AND CLIP IF STABILIZING PIN IS NOT INSTALLED.

WRENCHES: (TIGHTEN ALL FASTENERS WITH TORQUE WRENCH) 18mm, 19mm, 3/4, 7/8

DO NOT EXCEED LOWER OF
 TOWING VEHICLE MFR'S RATINGS OR

HITCH TYPE	MAX GROSS TRLR WT(LB)	MAX TONGUE WT(LB)
WEIGHT DISTRIBUTING	6000	750
WEIGHT CARRYING BALL MOUNT	3500	350



HITCH SHOWN IN PROPER POSITION

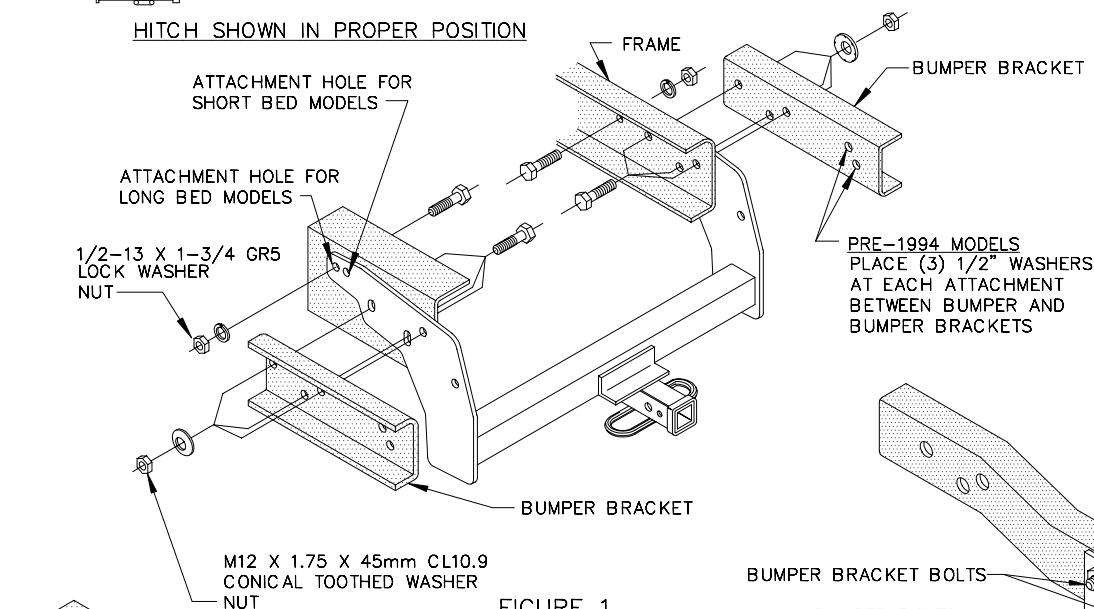


FIGURE 1
 PRE-1994

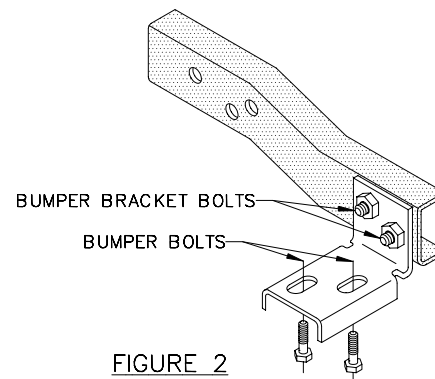


FIGURE 2
 1994-1997
 BUMPER BRACKET CONFIGURATION
 TYP. BOTH SIDES

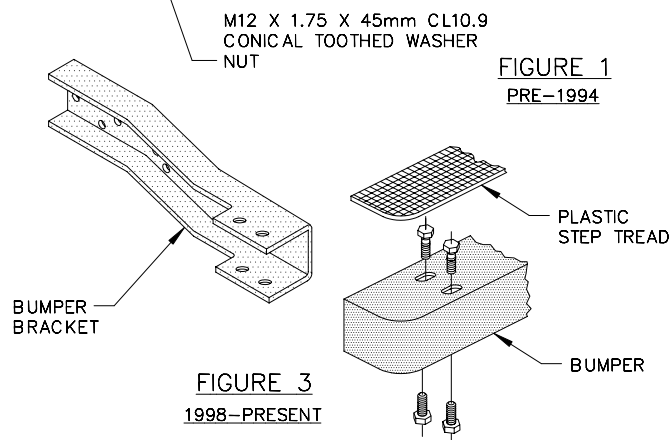
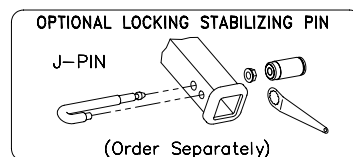


FIGURE 3
 1998-PRESENT



SPORTSIDE BED MODELS

NOTE: SOME SPARE TIRES MAY NEED TO BE LOWERED AND REPOSITIONED SLIGHTLY FOR HITCH INSTALLATION.

1. REMOVE BUMPER BRACKET BOLTS AND RETURN TO VEHICLE OWNER.
2. POSITION HITCH ON FRAME AND INSTALL FASTENERS AS SHOWN ABOVE.

STEP BUMPER MODELS

1. REMOVE BUMPER, LEAVING BRACKETS ATTACHED TO FRAME. DISCONNECT BUMPER WIRING BEFORE REMOVING BUMPER.

NOTE: PRE-1994 MODELS, BUMPER IS ATTACHED TO EACH BUMPER BRACKET BY TWO (2) HORIZONTAL BOLTS.

1994-1997 MODELS, BUMPER IS ATTACHED TO EACH BUMPER BRACKET BY TWO (2) VERTICAL BOLTS.

(SEE FIGURE 2.)

1998-PRESENT MODELS, REMOVE PLASTIC STEP TREAD FROM THE TOP OF THE BUMPER. THE BUMPER IS ATTACHED TO EACH BUMPER BRACKET BY FOUR (4) VERTICAL BOLTS.

2. REMOVE BUMPER BRACKETS FROM FRAME. REMOVE BUMPER WIRING GUIDES FROM BUMPER BRACKETS.
3. MARK SPARE TIRE CARRIER 1/8" INBOARD OF OUTBOARD EDGE OF FRAME.
4. LOWER SPARE TIRE AND CUT OFF CARRIER ALONG LINE MARKED.
5. POSITION RECEIVER ON FRAME AND LOOSELY REINSTALL BUMPER BRACKETS USING (3) M12 BOLTS AND FASTENERS PER SIDE. RECEIVER BRACKETS ARE SANDWICHED BETWEEN BUMPER BRACKETS AND FRAME.
6. PRE-1994 MODELS: REINSTALL BUMPER ON BUMPER BRACKETS WITH ORIGINAL BOLTS, USING THREE (3) 1/2" WASHERS AT EACH BOLT LOCATION AS SPACERS BETWEEN BRACKETS AND BUMPER. SEE FIG. 1.
7. 1994-PRESENT MODELS: REINSTALL BUMPER ON BUMPER BRACKETS WITH ORIGINAL BOLTS. SLOTS IN BUMPER BRACKET ALLOW FOR ADJUSTMENT.
7. RAISE SPARE TIRE BACK INTO POSITION AND SECURE. RECONNECT BUMPER WIRING.

TIGHTEN ALL FASTENERS TO 75 LB.-FT

APPROX WEIGHT (LB.)	37.5	FASTENER KIT NO.	1131-031
---------------------	------	------------------	----------

NOTE: Check hitch frequently, making sure all fasteners and ball are properly tightened. If hitch is removed, plug all holes in trunk pan or other body panels to prevent entry of water and exhaust fumes. A hitch or ball which has been damaged should be removed and replaced. Observe safety precautions when working beneath a vehicle and wear eye protection. Follow car maker's specs for maximum trailer weight and tongue weight. Do not cut access or attachment holes with a torch.