

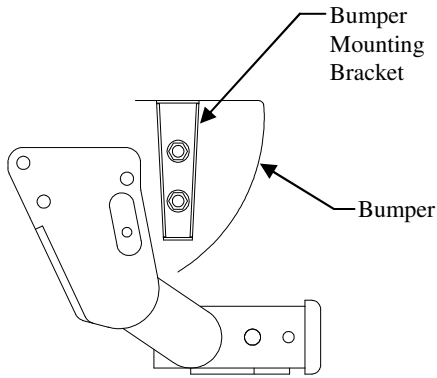
Installation Instructions

Part Numbers:

Chevrolet Blazer
GMC Jimmy
Oldsmobile Bravada
GMC Envoy

75079
33015
78167
87478

Do Not Exceed Lower of Towing Vehicle
 Manufacturer's Rating or



Hitch type	Max Gross Trailer WT (LB)	Max Tongue WT (LB)
Weight Distributing	6000 (2 724 Kg)	600 (272 Kg)
Weight Carrying Ball Mount	4000 (1 816 Kg)	400 (182 Kg)

Wiring Access Location: SUV5

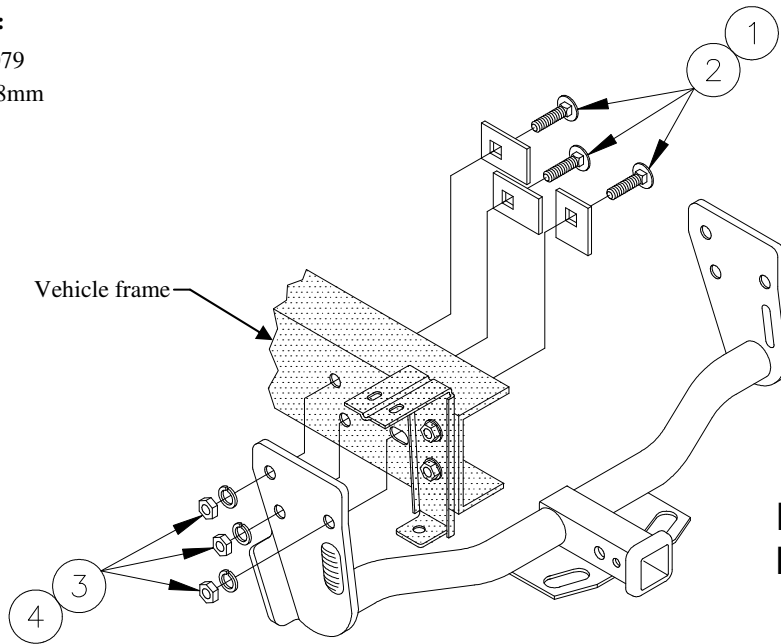
Hitch Shown In Proper Position

Equipment Required:

Fastener Kit: F75079

Wrenches: 7/8", 18mm

Drill Bits: None



**Fasteners typical
 both sides.**

①	Qty. (6)	Carriage Bolt – 1/2-13 x 1-3/4" GR5	③	Qty. (6)	Lock Washer 1/2"
②	Qty. (6)	Block 1/4 x 1-1/2 x 2	④	Qty. (6)	Hex Nut 1/2-13

Note: For 1998 and newer models:

With original equipment trailer hitch:

1. Purchase left and right bumper brackets from General Motors dealer (part numbers 15719945 and 15719946)
2. Remove trailer hitch.
3. Install bumper brackets.

Without original equipment trailer hitch:

1. Remove forward bumper bolts (4) and return to vehicle owner.

Hitch Installation:

1. Raise hitch into position and install (3) 1/2 x 1-3/4" carriage bolts, blocks, lock washers and nuts as shown, each side. Position blocks as shown above.

Tighten all 1/2 GR5 fasteners with torque wrench to 75 Lb.-Ft. (102 N*M)

Note: check hitch frequently, making sure all fasteners and ball are properly tightened. If hitch is removed, plug all holes in trunk pan or other body panels to prevent entry of water and exhaust fumes. A hitch or ball which has been damaged should be removed and replaced. Observe safety precautions when working beneath a vehicle and wear eye protection. Do not cut access or attachment holes with a torch.