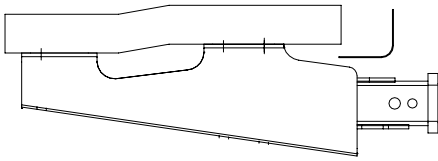


Installation Instructions

Part Numbers:

41930

**CHEVROLET SUBURBAN,
GMC YUKON XL DENALI,
GMC YUKON XL**



Hitch Shown In Proper Position

Equipment Required: Pullwire (Provided)

Fastener Kit: F41930

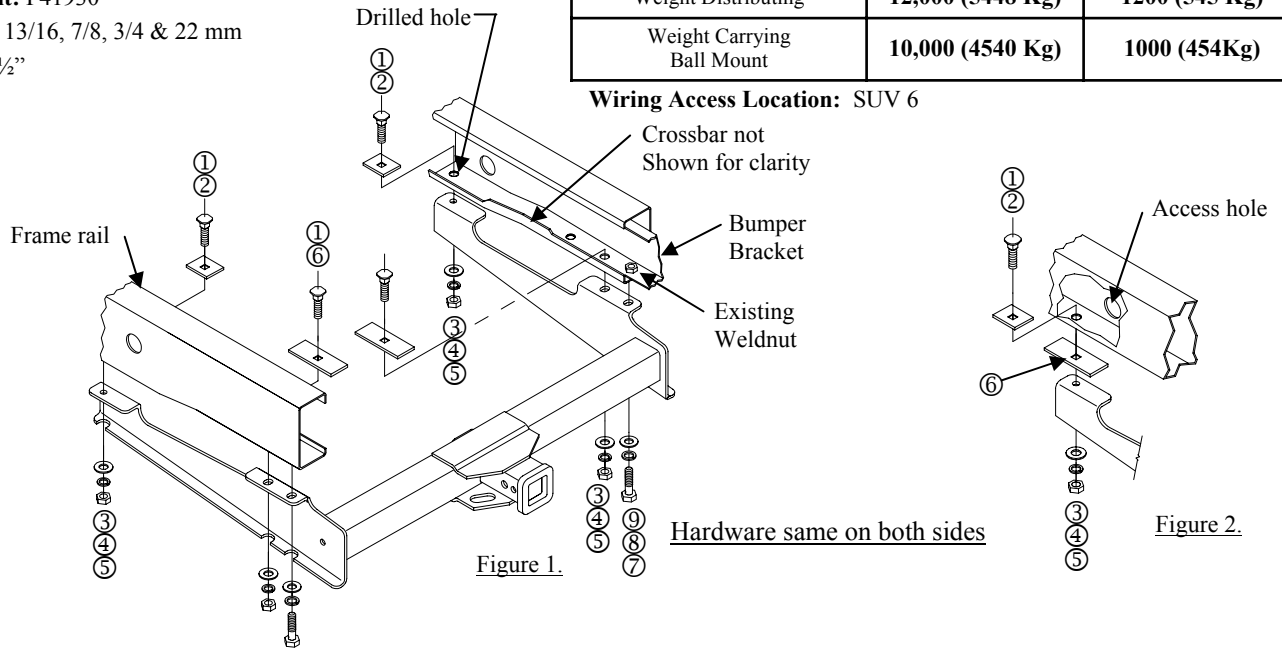
Wrenches: 13/16, 7/8, 3/4 & 22 mm

Drill Bits: 1/2"

**Do Not Exceed Lower of Towing Vehicle
Manufacturer's Rating or**

Hitch type	Max Gross Trailer WT (LB)	Max Tongue WT (LB)
Weight Distributing	12,000 (5448 Kg)	1200 (545 Kg)
Weight Carrying Ball Mount	10,000 (4540 Kg)	1000 (454Kg)

Wiring Access Location: SUV 6



Hardware same on both sides

Figure 2.

①	Qty. (4)	Carriage Bolts 1/2-13 X 2.00	⑥	Qty. (4)	Spacer .25 X 1.50 X 3.00
②	Qty. (2)	Spacer .25 X 1.00 X 2.00	⑦	Qty. (2)	Hex Bolt M14 X 2.00 X 40mm
③	Qty. (4)	Flat Washer 1/2"	⑧	Qty. (2)	Lock Washer 5/8"
④	Qty. (4)	Lock Washer 1/2"	⑨	Qty. (2)	Flat Washer 5/8"
⑤	Qty. (5)	Hex Nut 1/2-13			

Remove the factory installed hitch if present

1. Remove the factory installed M14 bumper bolts on both sides from bottom surface of the frame and return to vehicle owner.
2. Raise hitch into position using the supplied 14mm Bolt with the flat washer and lock washer, bolt the hitch into the holes where the factory bolts were removed.
3. Insert the 1/2-13 carriage bolts with spacer through the next open hole in the frame and hitch. Install a 1/2" flat washer, 1/2" lock washer and 1/2" hex nut onto the carriage bolt.
4. Using the remaining hole in the hitch bracket as a guide, drill (1) 1/2" hole into each frame rail.

Installation instructions for 3/4 ton Vehicles:

Insert the spacer with the 1/2-13 carriage bolt down through the hole drilled into the frame and the hitch. Install a 1/2" flat washer, 1/2" lock washer and 1/2" hex nut onto the carriage bolt. Repeat this process for the last carriage bolt.

Installation instructions for all other Vehicles. See Figure 2

Place a 1/4" x 1-1/2" x 3" spacer between hitch and frame rail. Typical for both sides. Insert the pull wire up through the holes drilled into the frame and out through the access hole in the side of the frame. Slide a spacer over the pull wire and attach a 1/2-13 carriage bolt onto the pullwire. Pull the bolt and spacer down through the hole in the frame. Install a 1/2" flat washer, 1/2" lock washer and 1/2" hex nut onto the carriage bolt. Repeat this process for the last carriage bolt.

Tighten all 1/2 GR5 fasteners with torque wrench to 75 Lb.-Ft. (102 N*M)

Tighten all M14 CL10.9 fasteners with torque wrench to 115 Lb.-Ft. (156 N*M)

Note: check hitch frequently, making sure all fasteners and ball are properly tightened. If hitch is removed, plug all holes in trunk pan or other body panels to prevent entry of water and exhaust fumes. A hitch or ball which has been damaged should be removed and replaced. Observe safety precautions when working beneath a vehicle and wear eye protection. Do not cut access or attachment holes with a torch.