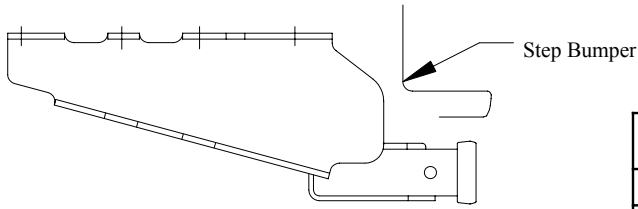


Installation Instructions

Dodge Ram Pickup Truck

Part Numbers:
41923



**Do Not Exceed Lower of Towing Vehicle
Manufacturer's Rating or**

Hitch type	Max Gross Trailer WT (LB)	Max Tongue WT (LB)
Weight Distributing	14,000 (6356 Kg)	1,400 (636 Kg)
Weight Carrying Ball Mount	12,000 (5448 Kg)	1,200 (545 Kg)

Hitch Shown In Proper Position

Wiring Access Location: PU1, PU2

**Note: All Fasteners Typical
Both Sides of Vehicle**

Equipment Required:

- Fastener Kit:** 01131-100
- Wrenches:** 3/4, 13/16, 7/8
- Drill Bits:** 9/16

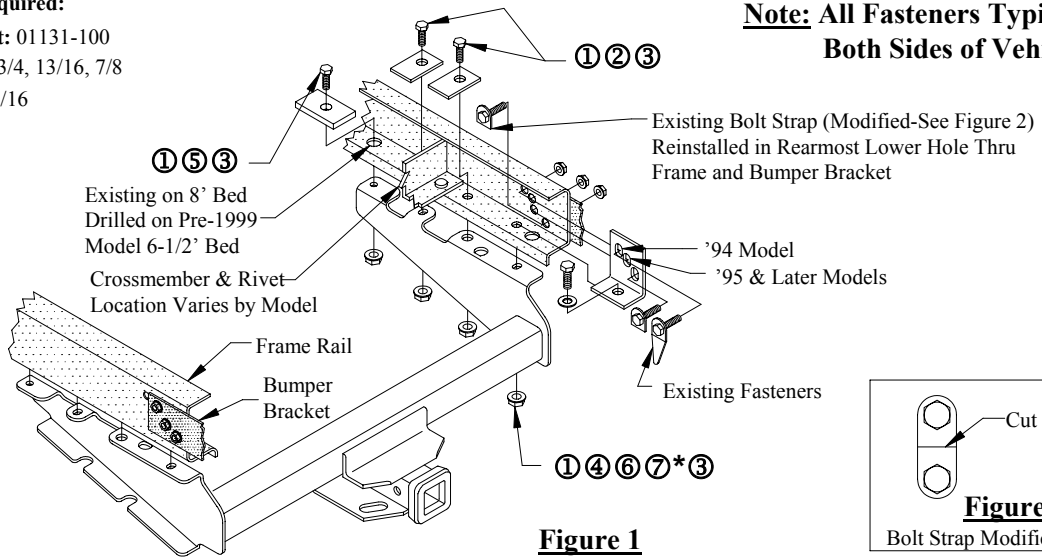


Figure 1

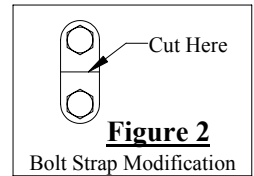


Figure 2
Bolt Strap Modification

①	Qty. (8)	Hex Bolt – 9/16-18 x 2.00 GR5	⑤	Qty. (2)	Spacer – 3/8 x 1-1/2 x 3
②	Qty. (4)	Spacer – 1/4 x 1-1/2 x 2	⑥	Qty. (1)	Reinforcement Bracket
③	Qty. (8)	Flanged Locknut – 9/16-18	⑦	Qty. (1)	Reinforcement Bracket
④	Qty. (2)	Flat Washer (Hardened) – 9/16"			

*Reinforcement bracket (Item 7) is for driver's side of vehicle (not shown).

1. If needed, enlarge existing 12mm (.47) holes in frame to 9/16 (.56).
2. Remove bumper bolt strap and bolt from bumper frame assembly, one side only.
3. Cut bolt strap in half as shown in figure 2. Loosely reinstall bumper fasteners and reinforcement bracket inside frame.
4. Repeat steps 1 & 2 on opposite side of vehicle.
5. Insert hex bolt (Item 1) and hardened flat washer (Item 4) in first attachment holes in each frame rail as shown in Figure 1.
6. Insert hex bolt (Item 1) and spacer (Item 5) in forward attachment holes in each frame rail as shown in Figure 1.
7. Raise hitch into position and loosely attach fasteners to bolts as shown in Figure 1.
8. Center hitch and install remaining fasteners as shown in Figure 1.

Tighten all 9/16 GR5 fasteners with torque wrench to 110 Lb.-Ft. (149 N*M)

Note: check hitch frequently, making sure all fasteners and ball are properly tightened. If hitch is removed, plug all holes in trunk pan or other body panels to prevent entry of water and exhaust fumes. A hitch or ball which has been damaged should be removed and replaced. Observe safety precautions when working beneath a vehicle and wear eye protection. Do not cut access or attachment holes with a torch.