

Installation Instructions

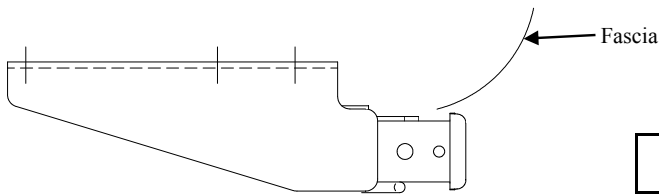
Lexus RX300

Toyota Highlander

Part Numbers:

41541

78229 U-Haul



Hitch Shown In Proper Position

Equipment Required:

Fastener Kit: K41541

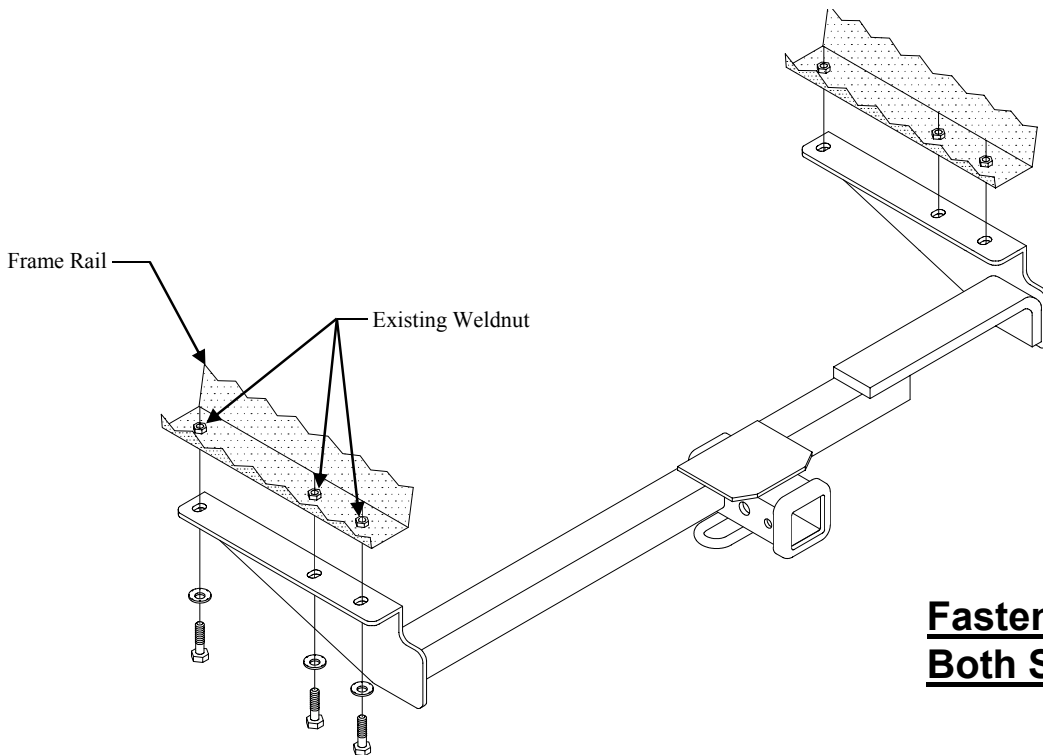
Wrenches: 14mm, 17mm

Drill Bits: None

**Do Not Exceed Lower of Towing Vehicle
Manufacturer's Rating or**

Hitch type	Max Gross Trailer WT (LB)	Max Tongue WT (LB)
Weight Distributing	Do Not Use With Spring Bars	
Weight Carrying Ball Mount	3500 (1589 Kg.)	350 (159 Kg.)

Wiring Access Location: SUV1, SUV2



Fasteners Typical Both Sides

①	Qty. (6)	Hex Bolt M10 x 1.25x 30mm CL10.9	②	Qty. (6)	Conical Toothed Washer 3/8"
---	----------	----------------------------------	---	----------	-----------------------------

1. Remove tow hooks from frame rails and return to vehicle owner.
2. Remove plastic caps in forward attaching holes.
3. Raise hitch into position and install fasteners as shown above.
Tighten all M10 x 1.25 CL10.9 fasteners with torque wrench to 42 Lb.-Ft. (57 N*M)

Note: check hitch frequently, making sure all fasteners and ball are properly tightened. If hitch is removed, plug all holes in trunk pan or other body panels to prevent entry of water and exhaust fumes. A hitch or ball which has been damaged should be removed and replaced. Observe safety precautions when working beneath a vehicle and wear eye protection. Do not cut access or attachment holes with a torch.