

# INSTALLATION INSTRUCTIONS

VEHICLE	HITCH NO.
SUZUKI GRAND VITARA	41537
SUZUKI VITARA	33038
(INCLUDES XL-7)	
CHEVROLET TRACKER 2 & 4 DR.	

EQUIPMENT REQUIRED:

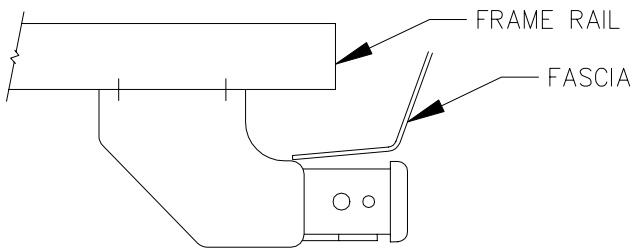
WIRING ACCESS LOCATION: SUV3

DRILL BITS:

HITCH REQUIRES 5/8" PIN AND CLIP IF STABILIZING PIN (7651) IS NOT INSTALLED.

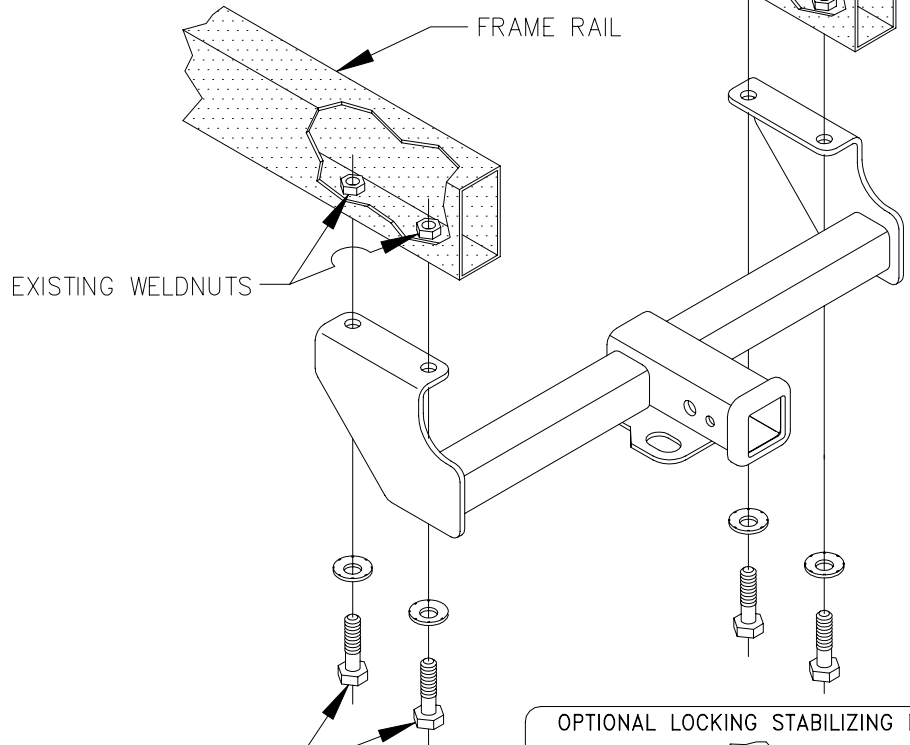
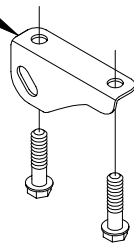
WRENCHES: (TIGHTEN ALL FASTENERS WITH TORQUE WRENCH) 14mm, 18mm

3500 LB MAX GROSS TRAILER WT  
 350 LB MAX TONGUE WEIGHT  
 DO NOT EXCEED TOWING VEHICLE RATINGS  
 DO NOT USE WITH WEIGHT-DISTRIBUTING  
 (SPRING BAR TYPE) HITCH.



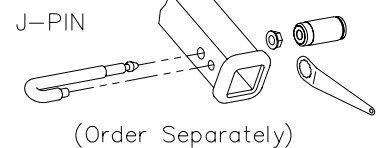
HITCH SHOWN IN PROPER POSITION

TIE DOWN BRACKET AND BOLTS



M12 X 1.25 X 30mm CL8.8  
 HEX BOLT  
 CONICAL TOOTHED WASHER

OPTIONAL LOCKING STABILIZING PIN



1. REMOVE TIE DOWN BRACKET AND BOLTS ON DRIVER'S SIDE AND RETURN TO VEHICLE OWNER.
2. RAISE HITCH INTO POSITION AND USING EXISTING WELDNUTS INSTALL FOUR (4) M12 BOLTS AS SHOWN ABOVE.

TIGHTEN ALL M12 CL8.8 FASTENERS TO 67 LB-FT.

APPROX WEIGHT (LB.)	FASTENER KIT
29	01131-125

NOTE: Check hitch frequently, making sure all fasteners and ball are properly tightened. If hitch is removed, plug all holes in trunk pan or other body panels to prevent entry of water and exhaust fumes. A hitch or ball which has been damaged should be removed and replaced. Observe safety precautions when working beneath a vehicle and wear eye protection. Follow car maker's specs for maximum trailer weight and tongue weight. Do not cut access or attachment holes with a torch.