

INSTALLATION INSTRUCTIONS

VEHICLE	HITCH NO.
FORD PICKUPS (EXCEPT RANGER)	41004

EQUIPMENT REQUIRED:

WIRING ACCESS LOCATION: PU1 & PU2

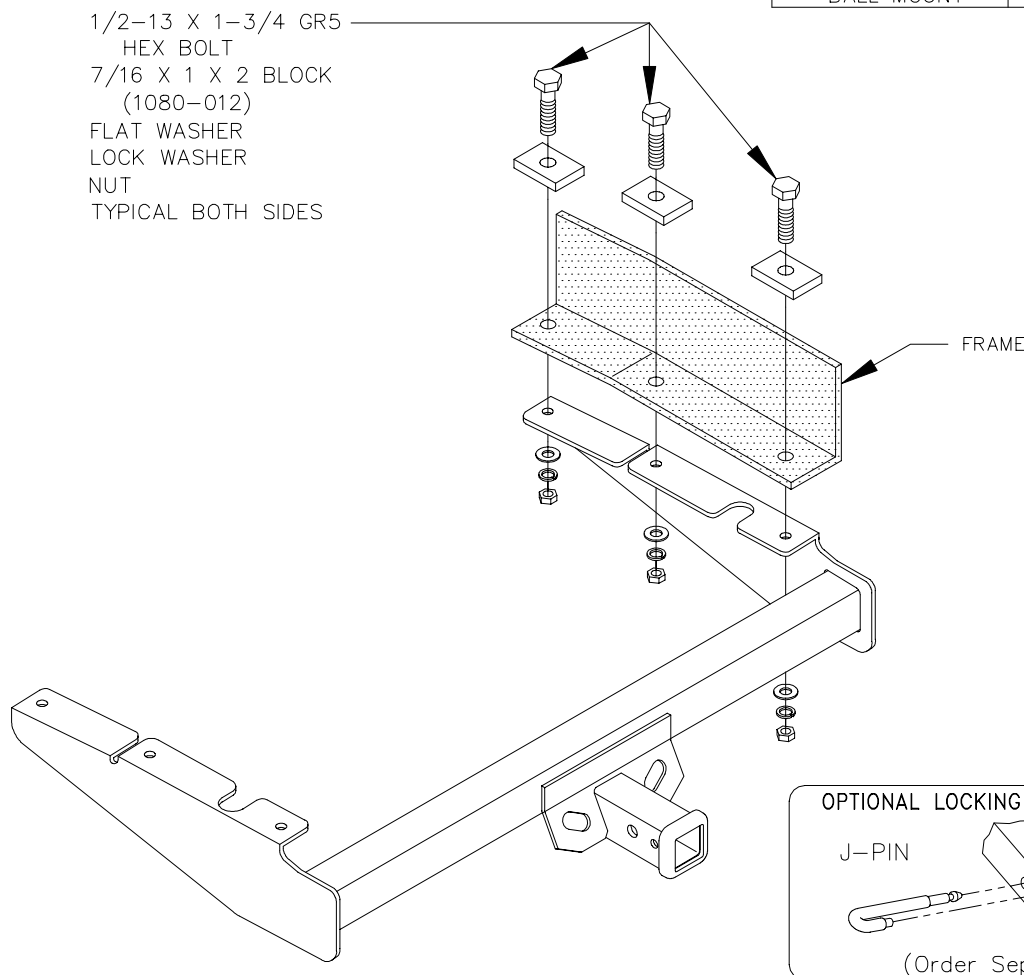
DRILL BITS: 1/2"

HITCH REQUIRES 5/8" PIN AND CLIP IF STABILIZING PIN IS NOT INSTALLED.

WRENCHES: (TIGHTEN ALL FASTENERS WITH TORQUE WRENCH) 3/4, 7/8

DO NOT EXCEED LOWER OF
TOWING VEHICLE MFR'S RATINGS OR

HITCH TYPE ▼	MAX GROSS TRLR WT(LB)	MAX TONGUE WT(LB)
WEIGHT DISTRIBUTING	10,000	1000
WEIGHT CARRYING BALL MOUNT	6000	600



NOTE: DUE TO VEHICLE VARIATION, IT MAY BE NECESSARY TO ADJUST STEP BUMPER UPWARD.

1. REMOVE ANY LUMPS OF UNDERCOATING OR DIRT FROM FRAME RAILS.
2. POSITION RECEIVER ON VEHICLE FRAME AS SHOWN. MAKE SURE RECEIVER IS CENTERED.
3. USING RECEIVER AS A TEMPLATE, DRILL THREE (3) 1/2" HOLES INTO BOTTOM OF EACH FRAME RAIL.
4. INSTALL ALL FASTENERS AS SHOWN, PLACING BLOCKS INSIDE VEHICLE FRAME. TIGHTEN ALL FASTENERS TO 75 LB.-FT.

NOTE: ON SOME MODELS WITH 16" SPARE TIRE, IT WILL BE NECESSARY TO ADJUST SPARE TIRE CRADLE TO RETAIN UNDER VEHICLE TIRE STOWAGE AFTER HITCH IS INSTALLED.

APPROX WEIGHT (LB.)	42.8	FASTENER KIT NO.	F41004
---------------------	------	------------------	--------

NOTE: Check hitch frequently, making sure all fasteners and ball are properly tightened. If hitch is removed, plug all holes in trunk pan or other body panels to prevent entry of water and exhaust fumes. A hitch or ball which has been damaged should be removed and replaced. Observe safety precautions when working beneath a vehicle and wear eye protection. Follow car maker's specs for maximum trailer weight and tongue weight. Do not cut access or attachment holes with a torch.