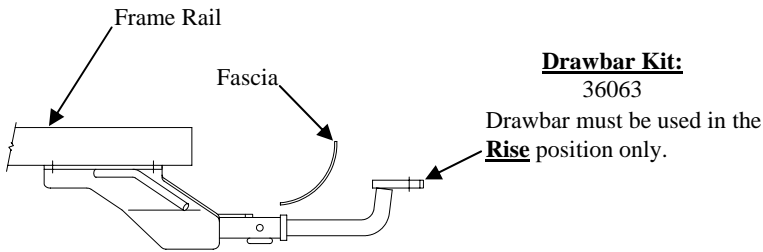


Installation Instructions

Part Numbers:

Pontiac Bonneville – All Models, Buick LeSabre – All Models **36309**
Buick Lucerne – All Models, Oldsmobile Aurora **06976**
90140



**Do Not Exceed Lower of Towing Vehicle
 Manufacturer's Rating or**

3500 LB Max Gross Trailer Weight
300 LB Max Tongue Weight

Wiring Access Location: PC3, PC4

Hitch Shown In Proper Position

Equipment Required: Tin Snips

Fastener Kit: F36309

Wrenches: 15mm, 17mm, 9/16, 3/4

Drill Bits: 1/2"

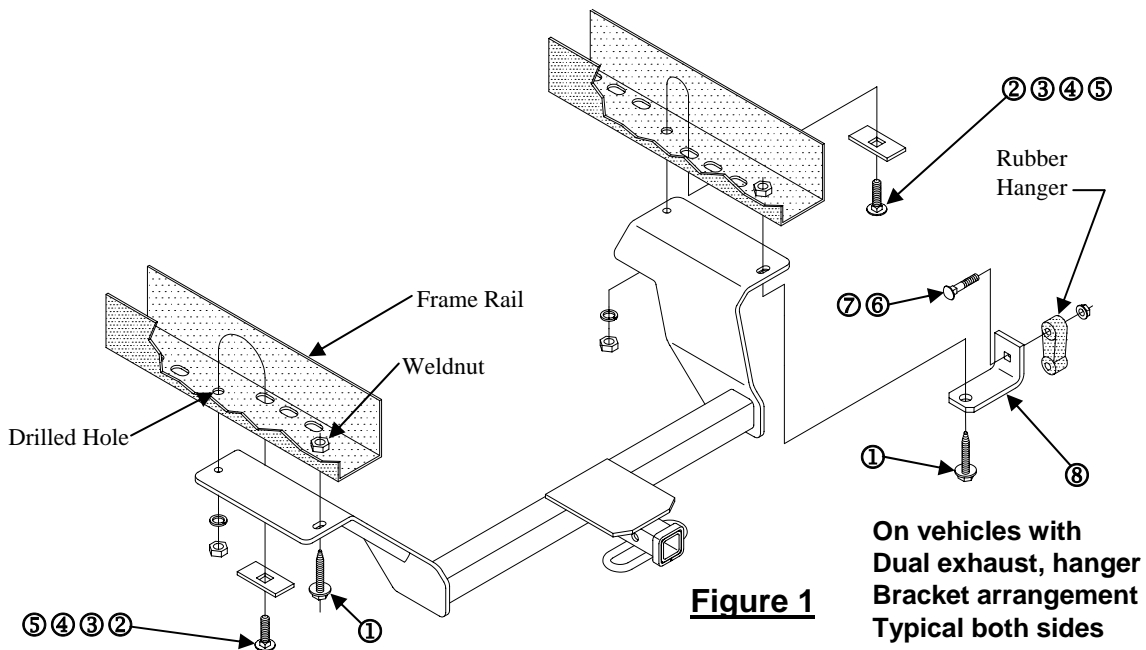


Figure 1

**On vehicles with
 Dual exhaust, hanger
 Bracket arrangement
 Typical both sides**

①	Qty. (2)	Bolt Assembly M10 x 1.50 x 45mm CL9.8	⑤	Qty. (2)	Hex Nut 1/2-13
②	Qty. (2)	Carriage Bolt 1/2-13 x 1.75 GR5	⑥	Qty. (2)	Carriage Bolt 3/8-16 x 2" GR5
③	Qty. (2)	Block 1/4 x 1 x 3	⑦	Qty. (2)	Flanged Locknut 3/8-16
④	Qty. (2)	Lock Washer 1/2"	⑧	Qty. (2)	Exhaust Hanger Bracket

Note: check hitch frequently, making sure all fasteners and ball are properly tightened. If hitch is removed, plug all holes in trunk pan or other body panels to prevent entry of water and exhaust fumes. A hitch or ball which has been damaged should be removed and replaced. Observe safety precautions when working beneath a vehicle and wear eye protection. Do not cut access or attachment holes with a torch.

