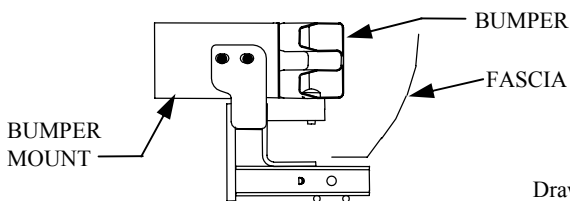


Installation Instructions

Mazda 3 including Speed 3

Part Numbers:

24816
77188
60201
24816U



Drawbar Kit:

3592

Drawbar must be used in the **RISE** position only.

**Do Not Exceed Lower of Towing Vehicle
Manufacturer's Rating or**

2000 LB (908 kg) Max Gross Trailer Weight

200 LB (91 kg) Max Tongue Weight

Wiring Access Location: PC3, PC4

Hitch Shown In Proper Position

Equipment Required: Flat blade Screwdriver, Fishwire (provided).

Fastener Kit: 24816F

Wrenches: 11/16"

Drill Bits: 1/2"

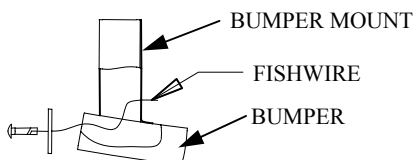
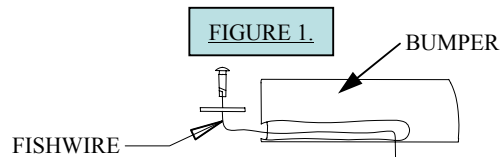
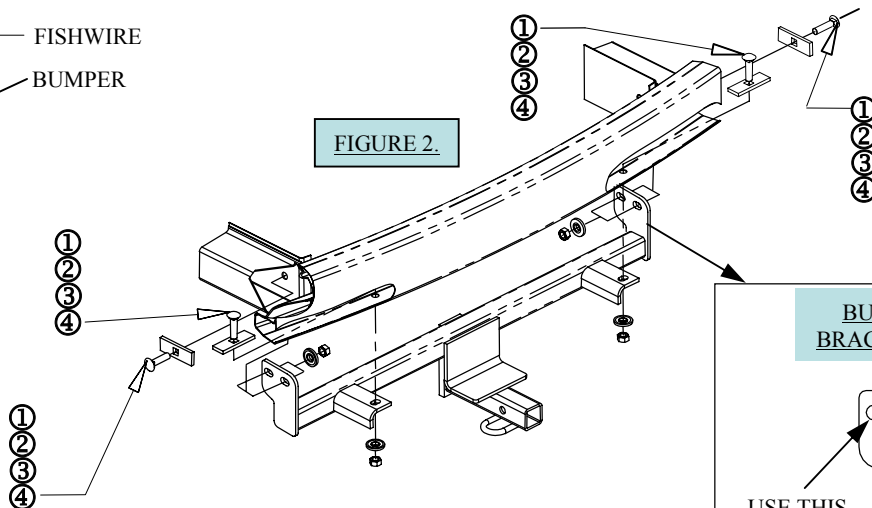
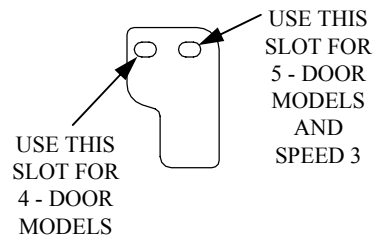


FIGURE 3.

FIGURE 2.



**BUMPER MOUNT
BRACKET ENLARGED**



①	Qty. (4)	7/16"-14 X 1-1/4" GRADE 5 CARRIAGE BOLT	③	Qty. (4)	7/16" CONICAL TOOTHED WASHER
②	Qty. (4)	BLOCK 1/4" X 1" X 3"	④	Qty. (4)	7/16"-14 HEX NUT

1. Use 1/2" drill bit to enlarge the four existing attachment holes.
2. With the flat blade screwdriver remove and retain (2) plastic push rivets that attach lower fascia supports to vehicle.
3. Fishwire carriage bolts and blocks through ends of the bumper as shown in Figure 1.
4. Position hitch as shown in Figure 2.
5. Fishwire carriage bolts and blocks through ends of the bumper mounts as shown in Figure 2.
6. Tighten all fasteners.
7. Replace plastic rivets removed in Step 2.

Tighten all 7/16" fasteners with torque wrench to 50 Lb.-Ft. (68 N*M)

Note: check hitch frequently, making sure all fasteners and ball are properly tightened. If hitch is removed, plug all holes in trunk pan or other body panels to prevent entry of water and exhaust fumes. A hitch or ball which has been damaged should be removed and replaced. Observe safety precautions when working beneath a vehicle and wear eye protection. Do not cut access or attachment holes with a torch.

Looking for dependable trailer hitches and towing? Rely on Draw-Tite for quality and long-lasting products.