

Installation Instructions

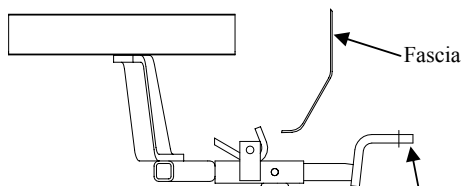
Part Numbers:

24792

77147

60869

Honda CR-V



Drawbar Kit:

3592

Drawbar must be used in the **Rise** position only.

Do Not Exceed Lower of Towing Vehicle Manufacturer's Rating or

2000 LB (908 Kg) Max Gross Trailer Weight

200 LB (90.8 Kg) Max Tongue Weight

Wiring Access Location: SUV3

Hitch Shown In Proper Position

Equipment Required:

Fastener Kit: 24792F

Wrenches: 3/4, 11/16

Drill Bits: None

Hitch Requires 1/2" pin and clip.

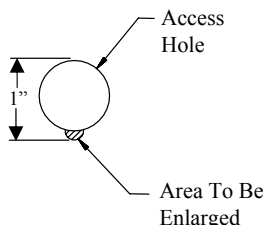
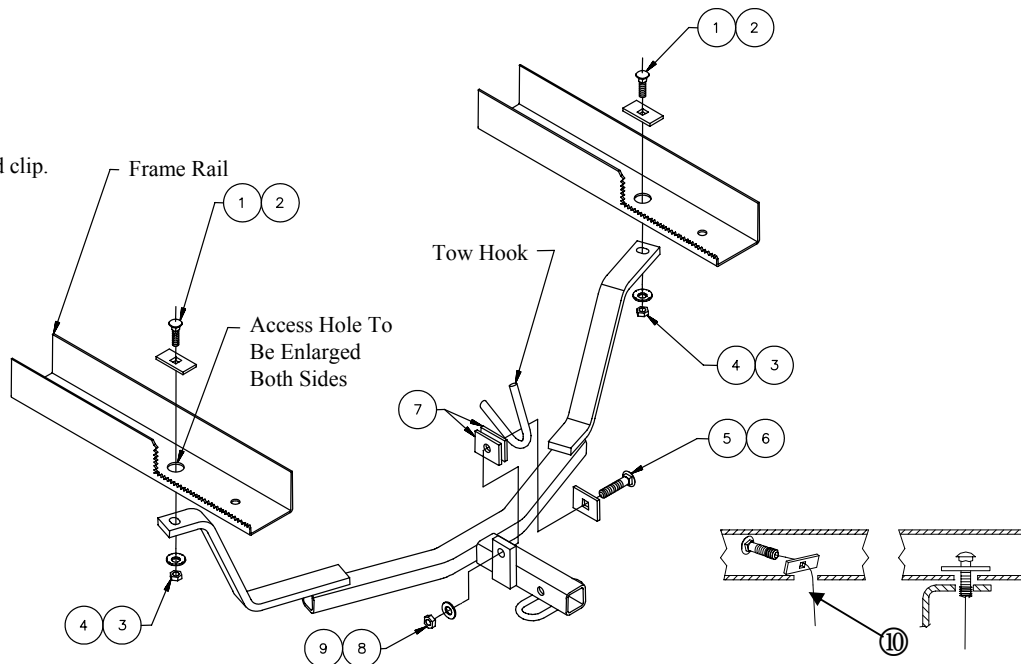


Figure 2



①	Qty. (2)	7/16-14 X 1.50 Carriage Bolt GR5	⑥	Qty. (1)	1/4 X 1.00 X 2.00 Spacer
②	Qty. (2)	1/4 X 1.00 X 3.00 Spacer	⑦	Qty. (2)	1/4 X 1.00 X 2.00 Spacer (Round Hole)
③	Qty. (2)	7/16 Conical Toothed Washer	⑧	Qty. (1)	1/2 Conical Toothed Washer
④	Qty. (2)	7/16 Hex Nut	⑨	Qty. (1)	1/2 Hex Nut
⑤	Qty. (1)	1/2-13 X 2.50 Carriage Bolt GR5	⑩	Qty. (2)	Pull Wire 7/16"

- Lower exhaust by removing rubber isolators from muffler hangers.
- Enlarge existing hole in both frame rails to allow access for 1.00 X 3.00 spacers to be inserted as shown in Figure 2.
- Insert carriage bolts and block into frame rails and raise hitch into position.
- Loosely install conical toothed washers and hex nuts.
- Position hitch and loosely install tow hook attachment fasteners.
- Tighten all fasteners to the required torque specification.
- Raise exhaust back into position and re-install rubber isolators.

Tighten all 7/16-14 GR5 fasteners with torque wrench to 50 Lb.-Ft. (68 N*M)

Tighten all 1/2-13 GR5 fasteners with torque wrench to 75 Lb.-Ft. (102 N*M)

Note: check hitch frequently, making sure all fasteners and ball are properly tightened. If hitch is removed, plug all holes in trunk pan or other body panels to prevent entry of water and exhaust fumes. A hitch or ball which has been damaged should be removed and replaced. Observe safety precautions when working beneath a vehicle and wear eye protection. Do not cut access or attachment holes with a torch.