



Hide-A-Goose Installation Instructions

Part Numbers:
9460/9470
9464/9474

**Do Not Exceed Lower of Towing Vehicle
Manufacturer's Rating or**

30,000 LB (13,620 Kg) Max Gross Trailer Weight (GTW)

7500 LB (3405 Kg) Max Tongue Weight (TW)

Equipment Required:

Fastener Kit: 58320 and 58312

Wrenches: 3/4", 15/16"

Drill Bits: 3/16", 9/16", 3 1/2" Hole Saw,
*(5/8" - 4457 rail kit only)

*4457 rail kit only

***Note! 4457 Rail Kit Only**
Fasteners for (2) additional
attachments are supplied
with 4457 rail kit. See
Figures 1,2 & 4 and also
lines 5A & 5B on next page.

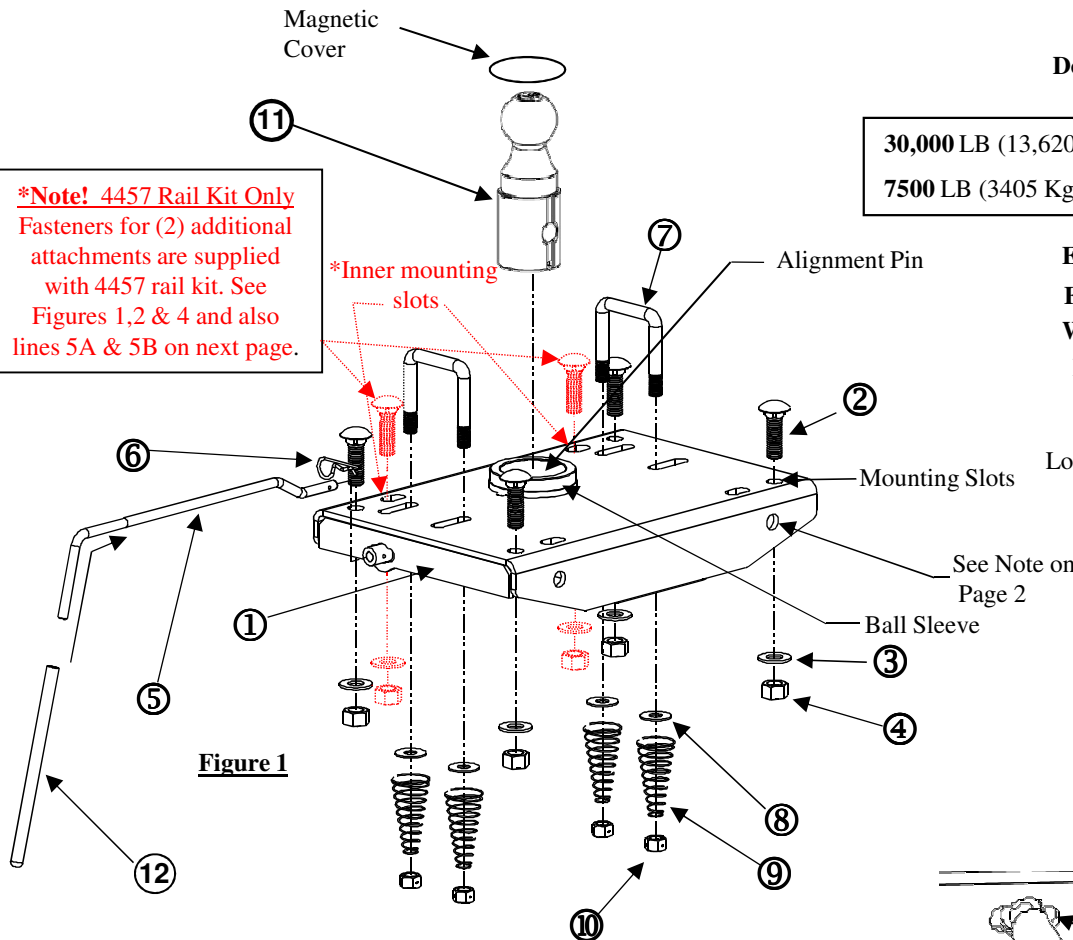


Figure 1

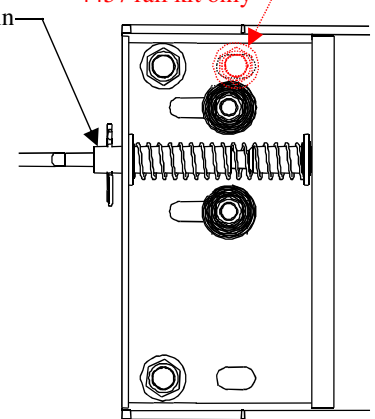


Figure 2

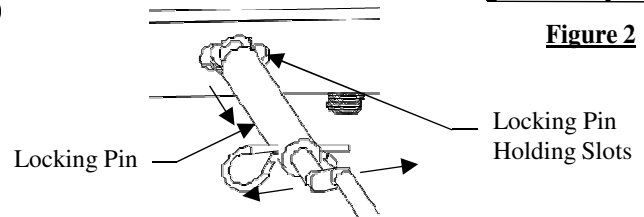


Figure 3

A brand label, either *Draw-Tite* or *BullDog*, is supplied with this hitch. After installing mounting kit to truck frame peel and apply this label to surface of frame bracket.

IMPORTANT!

This product is intended to be used with Cequent Performance Products manufactured mounting kits. If the Gooseneck hitch installation is made with Cequent manufactured mounting kits, the installation instructions for the Gooseneck hitch are included as part of the mounting kit installation instructions. Give this installation instruction to vehicle owner after installation is complete.

General instructions for fabricated support structures.

IF CEQUENT PERFORMANCE PRODUCTS MANUFACTURED MOUNTING KITS ARE NOT USED, THIS PRODUCT BECOMES A GENERAL APPLICATION PRODUCT. IT IS THE RESPONSIBILITY OF THE INSTALLER TO SELECT STRUCTURALLY SAFE MATERIALS AND LOCATIONS FOR ATTACHMENT. INSTALLATION INFORMATION FOLLOWS.

①	Qty. (1)	Head	⑦	Qty. (2)	1/2" U-Bolts
②	Qty. (4) *(6)	5/8" -11 X 2.00 Grade 8 Carriage Bolt	⑧	Qty. (4)	1/2 Flat Washer
③	Qty. (4) *(6)	Conical Toothed Washer	⑨	Qty. (4)	U-Bolt Spring
④	Qty. (4) *(6)	5/8"-11 Hex Nut	⑩	Qty. (4)	1/2"-13 Lock Nut
⑤	Qty. (1)	Handle	⑪	Qty. (1)	2-5/16" Ball
⑥	Qty. (1)	Spring Clip	⑫	Qty. (1)	Vinyl Handle

Tighten all 5/8 grade 8 fasteners with torque wrench to 210 Lb.-Ft. (285 N*M)

Tighten all 5/8 grade 5 fasteners with torque wrench to 150 Lb.-Ft. (203 N*M)

Note: check hitch frequently, making sure all fasteners and ball are properly tightened. If hitch is removed, plug all holes in trunk pan or other body panels to prevent entry of water and exhaust fumes. A hitch or ball which has been damaged should be removed and replaced. Observe safety precautions when working beneath a vehicle and wear eye protection. Do not cut access or attachment holes with a torch.

Installation Instructions

Part Numbers:

9460/9470

9464/9474

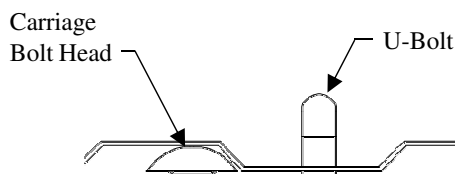


Figure 6

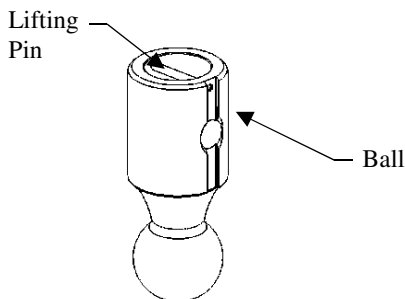


Figure 5

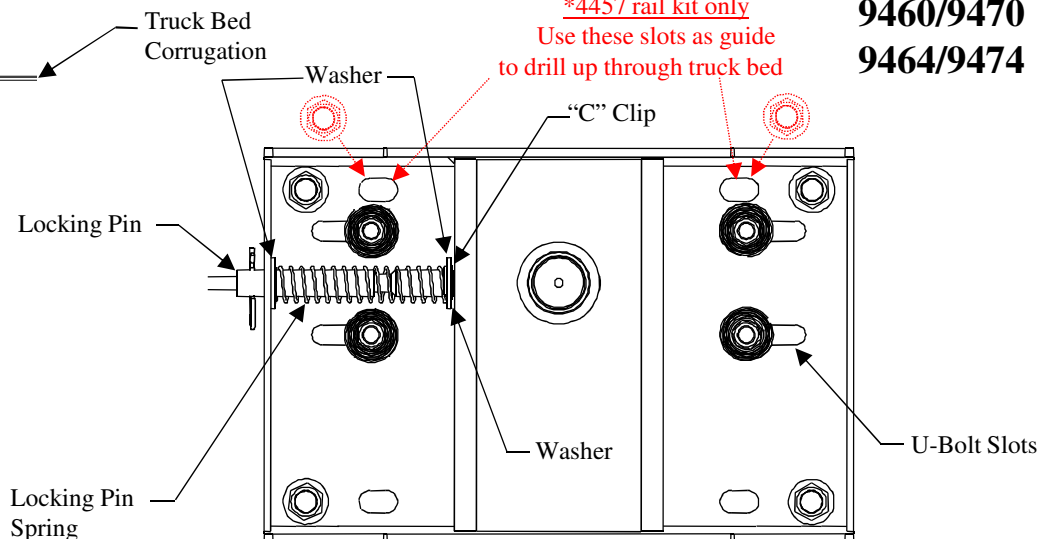


Figure 4

1. The following guidelines must be followed before installation begins:
 - The hitch ball must be located along the truck's fore/aft centerline.
 - The hitch ball centerline must be located above and forward of the rear axle of the truck.
 - Adequate clearance must be provided between the gooseneck trailer and the rear of the vehicle so that the gooseneck trailer does not contact any part of the truck during turning.
 - Adequate clearance must be provided between the forward corners of the gooseneck trailer and the cab of the truck.
 - Determine that the ball position and under vehicle supports do not interfere with any vehicle cross members, brake lines, electrical wiring, cables, fuel lines or vents.
- 2A. If handle is to be moved to the other side of the head, pull locking pin spring away from "C" clip and remove clip. The locking pin assembly can now be removed and assembled in the same order on the other side (see figure 4).
- 2B. After re-installing locking pin assembly, check for proper movement and holding slot engagement with the ball in place (see figure 3).
3. Install under bed supports with (4) vertical 5/8" bolts in rails.
4. With hitch ball center marked on the truck, center punch and drill 3/16" pilot hole, recheck all clearances, then open the 3/16" hole with a 3 1/2" hole saw. File edges as needed.
5. Lift head into position. Use the 5/8" conical tooth washers and hex nuts to install head. Do not tighten completely at this time.

***Steps 5A & 5B are to be done only when installing a 4457 rail kit. Do not drill these holes on any other rail kit install!!**

- 5A. Use the (2) inner slots on forward side of head to drill 5/8" diameter holes up through truck bed. Make sure that holes go through the truck bed corrugation that is down so that head of carriage bolt is recessed below top of bed corrugation.
- 5B. Install 5/8" carriage bolts from top of truck bed down through holes drilled in previous step and through hitch rail and head slot. Install conical toothed washers and nuts.
6. Align ball sleeve on head, with the 3-1/2" hole in bed and tighten 5/8" fasteners.
7. Using the U-Bolt slots as a guide, drill four 9/16" holes in the bed. These holes must be in a lower bed corrugations to limit the amount of U-bolt showing above the bed (see figure 6).
8. Touch up the drilled holes with paint. Install the U-Bolts from the inside of the bed (see figure 2).
9. From under the truck, install the 1/2" flat washers, U-Bolt springs, and 1/2" lock nuts (SEE FIGURE 1 AND 2). Tighten nuts so a minimum of 3 threads are showing past the nuts.
10. With the ball in the stored position (see figure 5). Check for clearance between ball and truck equipment (I.E. differential, brake lines, electrical lines, and others) by measuring from axle up to rubber bumper stop and from ball to nearest item. If insufficient space is present, inform customer not to store ball in the head when carrying heavy loads. The axle to the rubber bumper stop distance should be less than the ball to nearest item.

NOTE: If not installing head on Towing Products manufactured mounting kit, install four 5/8" (grade 5) bolts (not provided) in side holes of head along with the four vertical bolts to obtain maximum head rating of 30,000 Lb GTW / 7500 TW Lb.

AFTER SYSTEM INSTALLATION AND BEFORE TOWING:

Connect trailer to the tow vehicle following coupler manufacturer's operating instructions.

The coupler must be adjusted to provide about 6" of clearance between the bottom of the trailer nose and the top of the pickup bed sides. Slowly back the trailer to a jackknifed position to the tow vehicle while checking to see there is adequate clearance between the gooseneck trailer and the rear of the vehicle. Also check to see there is adequate clearance between the forward corners of the gooseneck trailer and the cab of the truck. Slowly jackknife the truck and trailer in the opposite direction and check the clearances to the end of the truck and the cab.

GOOSENECK MAINTENANCE

-Use magnetic cover to keep assembly free of dirt and debris. Lubricate hitch ball monthly or as needed with heavy grease. Lubricate ball sleeve with heavy grease when ball is installed and/or removed. Lubricate locking pin monthly or as needed with spray-on penetrating oil. Check bolt torque monthly. Check equipment before towing for worn or damaged parts. **REPLACE WORN OR DAMAGED PARTS IMMEDIATELY.**

Learn more about trailer hitches and towing we have.