

Installation Instructions

Chevrolet Colorado

GMC Canyon

Part Numbers:

75948

87675

44757

Hitch Shown In Proper Position

Equipment Required: Tape

Fastener Kit: 75948F

Wrenches: 10mm, 21mm, 22mm

Drill Bits: None

**Do Not Exceed Lower of Towing Vehicle
Manufacturer's Rating or**

Hitch type	Max Gross Trailer WT (LB)	Max Tongue WT (LB)
Weight Distributing	8000 (3632 Kg)	800 (363 Kg)
Weight Carrying Ball Mount	6000 (2723 Kg)	800 (363 Kg)

Wiring Access Location:

Accessory Rating	D
------------------	----------

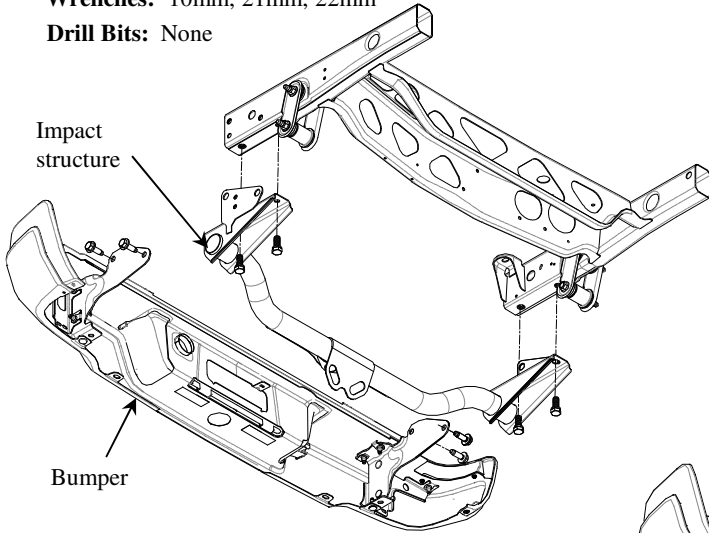


Figure 1.

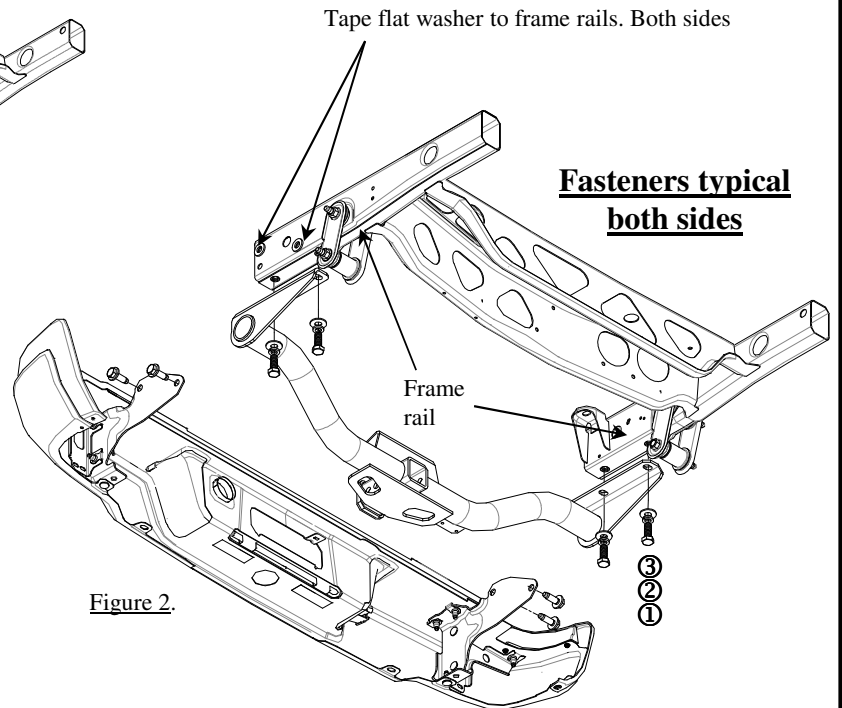


Figure 2.

**Fasteners typical
both sides**

**Cannot Tow with Step
Bumper after hitch is
installed**

①	Qty. (4)	Bolt M14 X 2.00 X 45mm CL10.9	③	Qty. (4)	Lockwasher 9/16"
②	Qty. (4)	Flatwasher 9/16"	④	Qty. (4)	Flatwasher 9/16"

Cannot Tow with Step Bumper after hitch is installed.

1. Remove vehicle impact and bumper structure (8 bolts). Disconnect electrical plugs. Return vehicle impact structure to owner.
2. Tape flat washers to frame rails. Both sides.
3. Raise hitch into position and install provided fasteners as shown.
4. Re-install the bumper using the original side fasteners.
5. Tighten all fasteners to the required torque specification.

Tighten all M14 CL10.9 fasteners with torque wrench to 100 Lb.-Ft. (136 N*M)