

# Installation Instructions

**Volvo V-70**  
**Volvo XC-70**  
**Volvo S60**  
**Volvo V60**

Part Numbers:

**75916, 87674, 44999**  
**75178 (U-Haul)**

Note: Fascia trim required

Do Not Exceed Lower of Towing Vehicle  
 Manufacturer's Rating or

Hitch type	Max Gross Trailer WT (LB)	Max Tongue WT (LB)
Weight Distributing	<b>Not For Use With Spring Bars</b>	
Weight Carrying Ball Mount	<b>4000 (1814 Kg)</b>	<b>400 (181 Kg)</b>

Wiring Access Location: SUV3, SUV4

## Hitch Shown In Proper Position

Equipment Required: Utility Knife

Fastener Kit: 75916F

Wrenches: 8mm, 10mm, 13mm wrench,  
 17mm wrench, & T-25 Torx Driver ®

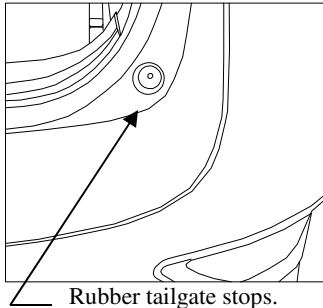
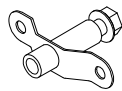


Figure 2.

**Note: Installation does not use existing fasteners if end panel has raised edges.**

**Fascia trim required. Obtain vehicle owners approval before cutting**



Towing eye. Shown removed

Figure 3.

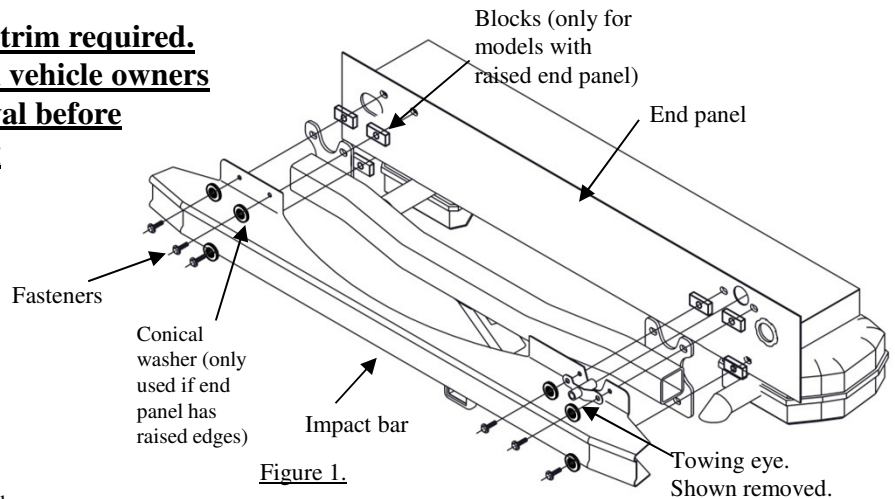


Figure 1.

Notify vehicle owner that the fascia requires trimming to fit hitch.

Recommend: two persons to remove the fascia to prevent scratches or damage.

1. Remove rear bumper fascia. Disconnect back-up sensor wiring if present. (Not shown)
  - a. Remove plastic fastener from rear of vehicle, between the bottom of the fascia and end panel. See Figure 7.
  - b. Open tail gate. Remove (2) rubber tailgate stops. See Figure 2.
  - c. Remove screws (each side) from the plastic wheel well molding. See Figure 4.
  - d. Gently pull the plastic fascia away from the wheel well molding. See Figure 6.
  - e. Gently continue to remove fascia. At the tail light pull gently rearward.
  - f. Pull gently on fascia until the rear fascia is completely removed from vehicle.
2. Loosen the towing eye. See Figure 3.
  - a. Remove inside appearance panel at rear of tail gate (2) bolts. See Figure 5.
  - b. Loosen towing eye under appearance panel, rear passenger side bolt. See Figure 5.
3. Remove impact bar. (Continue to loosen towing eye as needed in effort to remove impact bar).
4. Place hitch into impact bar aligning bolt holes
5. Place conical washer on hex bolt and slide into bolt holes (Note: only use washers, blocks, and hex bolts if end panel has raised edges.)
6. Slide 3/8" block onto the backside of the bolts on the hitch. Make sure blocks are parallel to raised end panel edges.
7. Raise hitch and impact bar into position. Hand tightens driver's side and lower passenger side bolt.
8. Re-install towing eye (sandwich hitch, impact bar and towing eye). Hand tighten (6) bolts. See Figure 1 (Towing eye shown removed for clarity)
9. Tighten fasteners to specification.
10. Re-tighten towing eye from inside vehicle trunk.
11. Replace inside appearance panel at rear of tail gate (2) bolts.
12. Using a utility knife carefully cut out the fascia on the bottom inside fascia. Locate bottom center of the fascia. Trim 2-1/2" wide and 2" long. See Figure 7. Note: fascia has area to be trimmed for Volvo hitch marked for the Volvo hitch. **Obtain vehicle owners approval before cutting.**
13. Re-install fascia. Note: making sure fascia sits flat along rear shelf of trunk. Working from the rear forward carefully reinstalls the fascia.

**Note: Steps 1a, 2a, & 2b only for wagon model.**

①	Qty. (6)	Hex Bolt, M10 x 1.5 x 45 CL 10.9	③	Qty. (6)	Conical Washer, 7/16"
②	Qty. (6)	Block, 3/8"			

Tighten all M10 CL 8.8 fasteners with torque wrench to 38 Lb.-Ft.(52 N\*M)

Note: check hitch frequently, making sure all fasteners and ball are properly tightened. If hitch is removed, plug all holes in trunk pan or other body panels to prevent entry of water and exhaust fumes. A hitch or ball which has been damaged should be removed and replaced. Observe safety precautions when working beneath a vehicle and wear eye protection. Do not cut access or attachment holes with a torch.

**Note: Installation does not use existing fasteners if end panel has raised edges.**

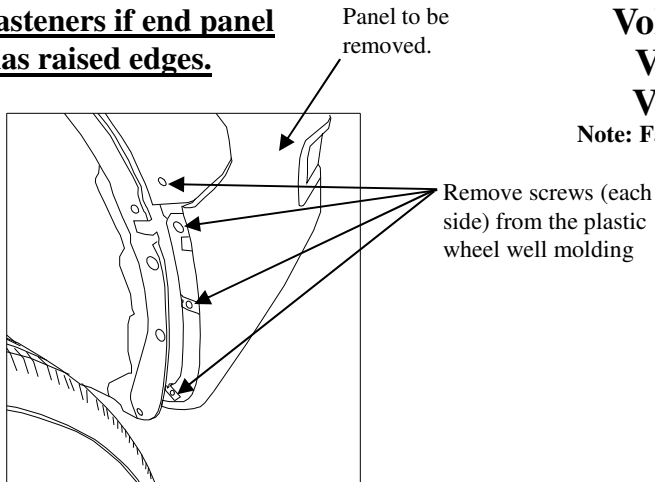
## Installation Instructions

**Volvo V-70**  
**Volvo XC-70**  
**Volvo S60**  
**Volvo V60**

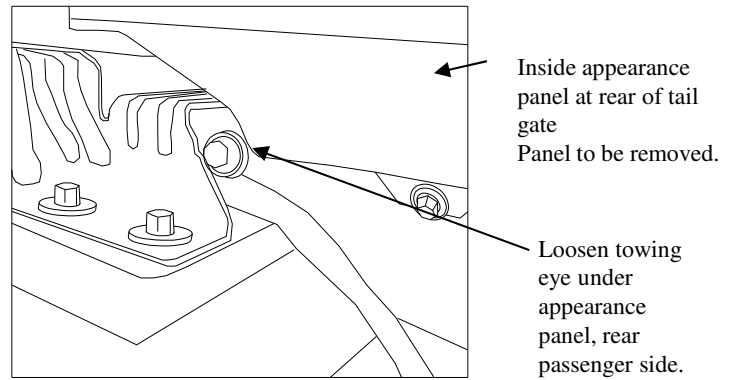
Part Numbers:

**75916, 87674, 44999**  
**75178 (U-Haul)**

**Note: Fascia trim required**

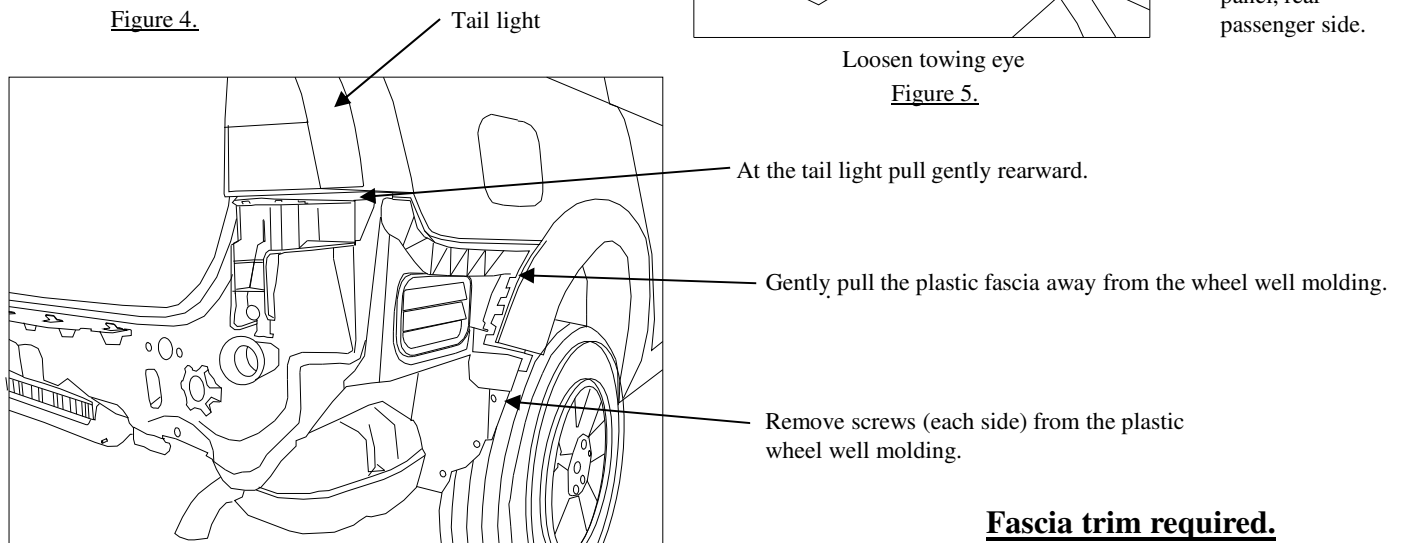


**Figure 4.**



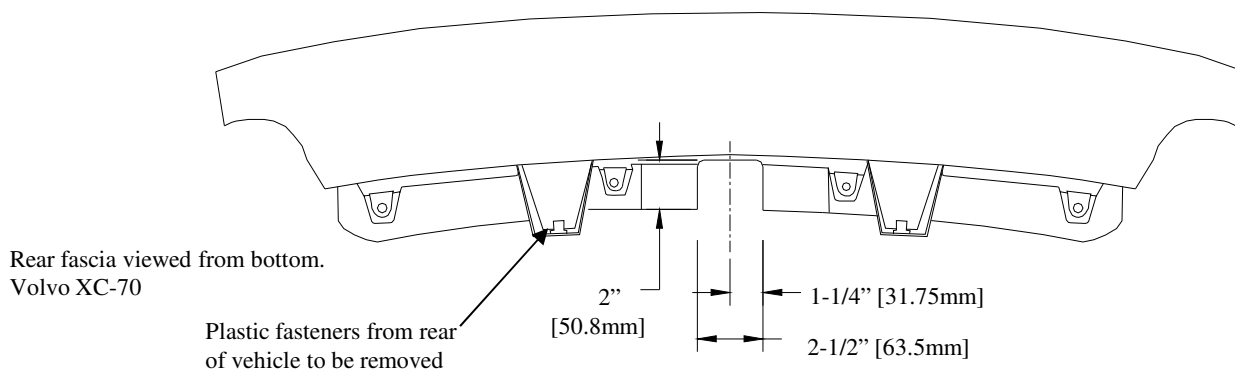
**Loosen towing eye**

**Figure 5.**



**Fascia shown removed**  
**Figure 6.**

**Fascia trim required.**  
**Obtain vehicle owners approval before cutting**



**Figure 7.**

**Tighten all M10 CL 8.8 fasteners with torque wrench to 38 Lb.-Ft.(52 N\*M)**

**Note: check hitch frequently, making sure all fasteners and ball are properly tightened. If hitch is removed, plug all holes in trunk pan or other body panels to prevent entry of water and exhaust fumes. A hitch or ball which has been damaged should be removed and replaced. Observe safety precautions when working beneath a vehicle and wear eye protection. Do not cut access or attachment holes with a torch.**