

# Installation Instructions

Part Numbers:

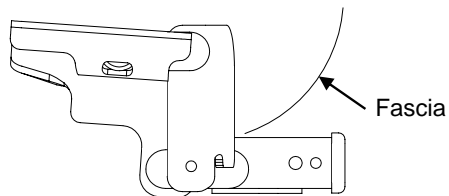
**Ford Flex**  
**Ford Flex EcoBoost**  
**Lincoln MKT**

**75679**

**87571**

**44636**

**78189 U-Haul**



**Do Not Exceed Lower of Towing Vehicle  
 Manufacturer's Rating or**

Hitch type	Max Gross Trailer WT (LB)	Max Tongue WT (LB)
Weight Distributing	<b>4000 (1816 Kg.)</b>	<b>400 (182 Kg.)</b>
Weight Carrying Ball Mount	<b>4000 (1816 Kg.)</b>	<b>400 (182 Kg.)</b>

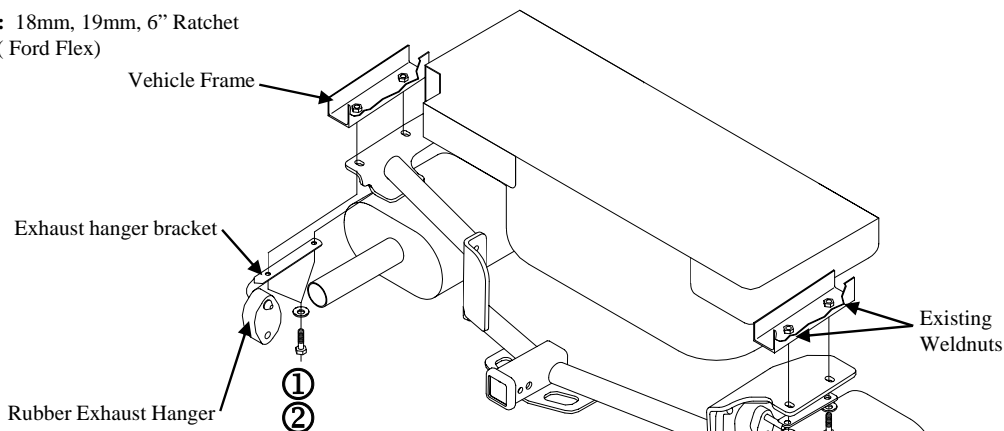
## Hitch Shown In Proper Position

**Equipment Required:** Lubricant or Soapy water

**Fastener Kit:** 75679F

**Wrenches:** 18mm, 19mm, 6" Ratchet Extension ( Ford Flex)

**Wiring Access Location:** SUV1, SUV2



Spray some lubricant on the rubber exhaust hangers and then use a screwdriver or pry bar to remove all of the rubber hangers. Support the system while you remove all of the hangers

## Fasteners Typical Both Sides of Vehicle

①	Qty. (4)	Hex Bolt M12 x 1.75 x 40mm CL8.8	②	Qty. (4)	Conical Toothed Washers ½"
---	----------	----------------------------------	---	----------	----------------------------

Note: On the Lincoln MKT and Ford Flex EcoBoost model have dual exhaust, repeat instruction listed below to the passenger side exhaust.

- Lower exhaust by removing two (2) bolts which attach exhaust hanger bracket to driver's side frame rail. Return to owner. Note: Re-attachment of exhaust hanger bracket may be made easier by removing rubber exhaust hanger from hanger bracket.
- Detach the rubber isolator from the front exhaust hanger located forward of muffler, just behind rear axle. Be careful not to allow muffler to fall under their own weight. Spraying a lubricant on the metal hanger rod and the rubber isolator helps removal.
- Rotate the hitch into position over the exhaust and align the slots to the existing weld nuts. Reattach exhaust hanger bracket to underside of hitch bracket (as shown). On models with dual exhaust, do this on both sides of vehicle. Install fasteners as shown above.
- Tighten all fasteners to the required torque specification.
- Raise exhaust back into position and reattach to rubber isolators. Spraying a lubricant or soapy water on the metal hanger rod and the rubber isolator helps.

Tighten all M12 x 1.75 CL8.8 fasteners with torque wrench to 68 Lb.-Ft. (92 N\*M)