

Installation Instructions

PART NUMBERS: 76509, 84509, CQT76509

WARNING

To prevent **SERIOUS INJURY, DEATH** or **PROPERTY DAMAGE**:

- **ALWAYS** read, understand and follow warnings and instructions for your hitch **BEFORE** installation. Keep for future reference.
- **DO NOT** cut, weld or modify this receiver.
- **CHECK** all fasteners are tight and your hitch is securely mounted to your vehicle periodically.
- **ALWAYS** read, understand and follow all warnings and instructions for your vehicle and for other accessories you will use with your hitch **BEFORE** use.
- **LOAD** the trailer heavier in front.
- **DO NOT** exceed lower of towing vehicle manufacturer's rating or:

Hitch Type	Max Gross Trailer Weight	Max Tongue Weight
Weight Carrying	3500 lb. (1588 kg)	525 lb. (238 kg)
Weight Distributing	N/A	N/A

- **ALWAYS** wear your seatbelt.
- **SLOW DOWN** when towing, **NEVER** exceed any posted speed limit.
- If **EXCESS SWAY** occurs, take your foot off the gas pedal and hold the steering wheel as steady as possible. **DO NOT** apply your brakes and **DO NOT** speed up.

Installation Instructions

PART NUMBERS: 76509, 84509, CQT76509

Applications:

Years	Make	Models
2022-Current*	Hyundai	Tucson

*Visit our website for the most up to date information regarding application years and trim levels.

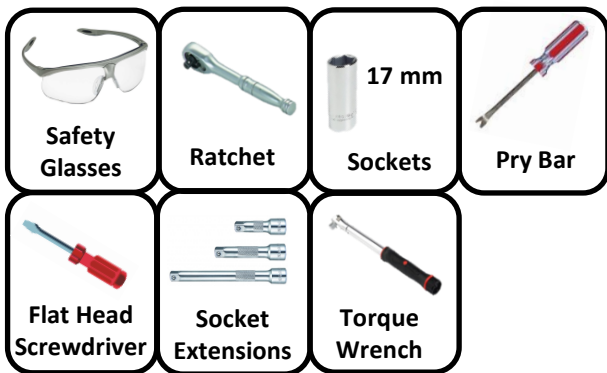
Installation Time: **30 min**

The time listed above is the average time for professional installers. If you do not feel comfortable performing this installation on your own or are in need of assistance, please contact a professional installer.



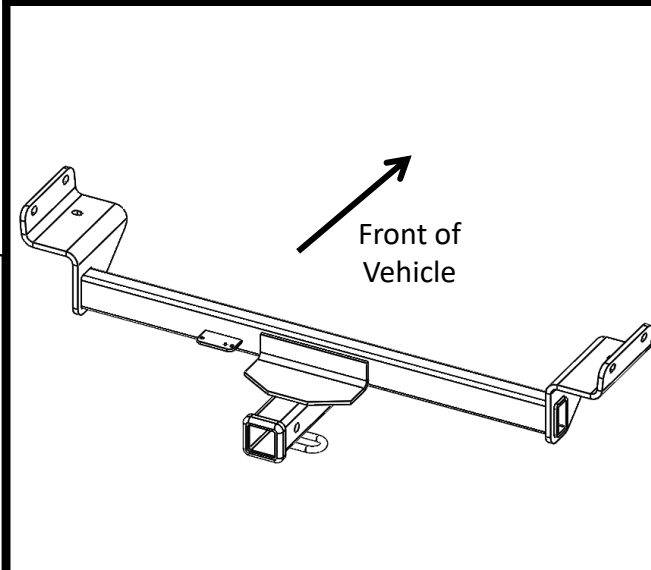
Representative Vehicle Photo

Equipment Required:



**DO NOT EXCEED LOWER OF TOWING VEHICLE
MANUFACTURER'S RATING OR:**

Hitch Type	Max Gross Trailer Weight	Max Tongue Weight
Weight Carrying	3500 lb. (1588 kg)	525 lb. (238 kg)
Weight Distributing	N/A	N/A



Hitch Illustration





Always wear SAFETY GLASSES when installing hitch

Installation Instructions

PART NUMBERS: 76509, 84509, CQT76509

Fastener Kit: 76509F

①	Qty. (6)	Hex Bolts M10 X 1.25 X 35 CL 8.8	
②	Qty. (6)	Conical washer 3/8"	

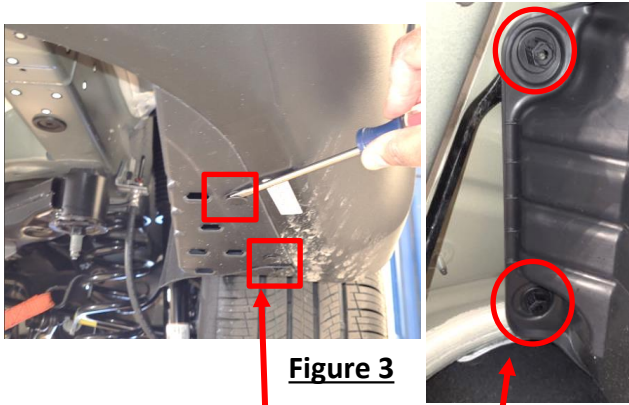


Figure 3

Using flat head screwdriver

Using pry bar



Figure 2

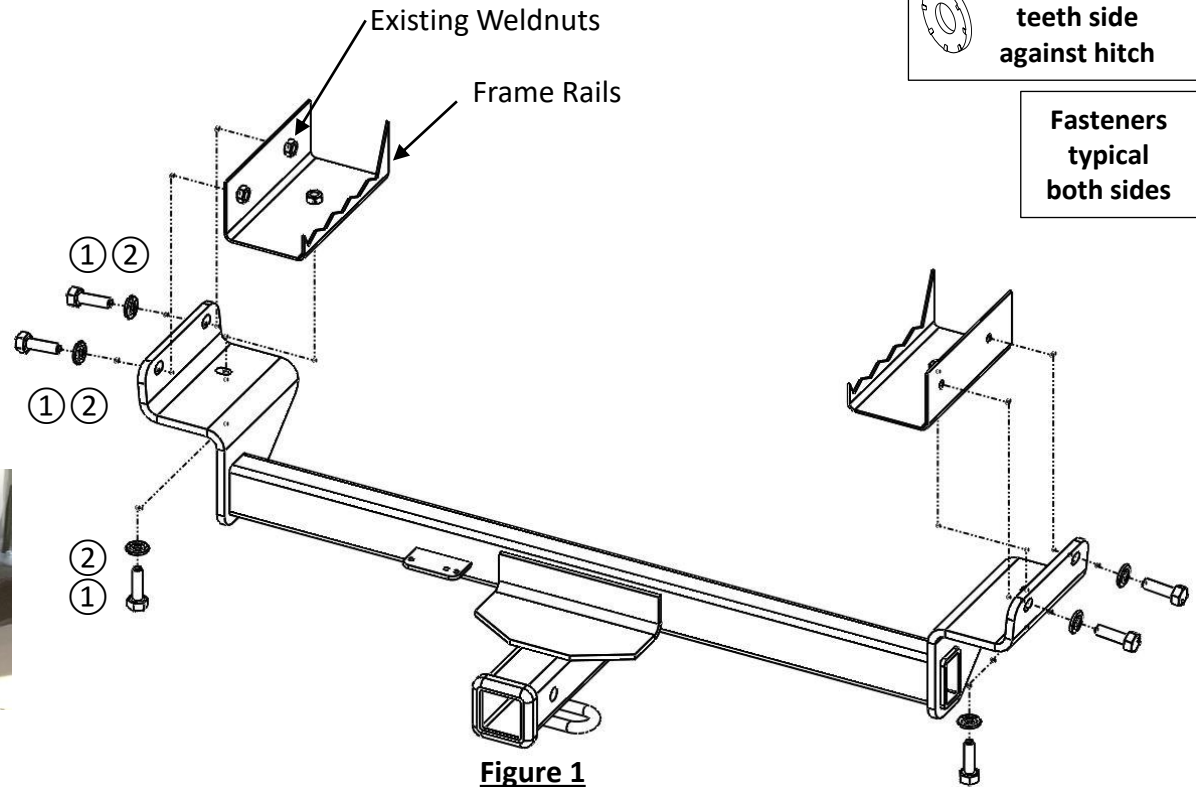


Figure 1

1. Remove underbody panels:

- a) Using flat head screwdriver and pry bar, remove (6) plastic rivets from rear underbody panel, see **Figure 2**. Return the rear panel to vehicle owner.
- b) Using flat head screwdriver and pry bar, remove (5) plastic rivets from passenger side underbody panel, see **Figure 3**. Keep it for reinstallation.

2. Install hitch: Raise hitch into position and loosely install (3) M10 bolts ① and (3) conical washers ②, both sides, see **Figure 1**.

3. Tighten all M10 fasteners with torque wrench to 42 Ft.-Lb. (57 N*M).

 Proper torque is needed to keep the hitch secure to the vehicle when towing.

4. Reinstall passenger side underbody panel.

Note: check hitch frequently, making sure all fasteners and ball are properly tightened. If hitch is removed, plug all holes in trunk pan or other body panels to prevent entry of water and exhaust fumes. A hitch or ball which has been damaged should be removed and replaced. Observe safety precautions when working beneath a vehicle and wear eye protection. Do not cut access or attachment holes with a torch. This product complies with safety specifications and requirements for connecting devices and towing systems of the state of New York, V.E.S.C. Regulation V-5 and SAE J684.

1. Remove underbody panels:

- a) Using flat head screwdriver and pry bar, remove (6) plastic rivets from rear underbody panel, see **Figure 2**. Return the rear panel to vehicle owner.
- b) Using flat head screwdriver and pry bar, remove (5) plastic rivets from passenger side underbody panel, see **Figure 3**. Keep it for reinstallation.

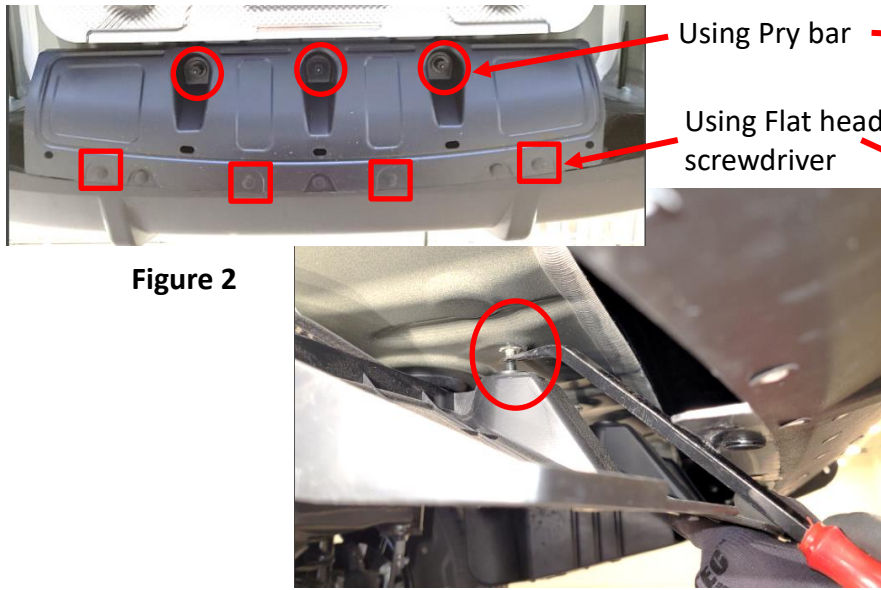


Figure 2

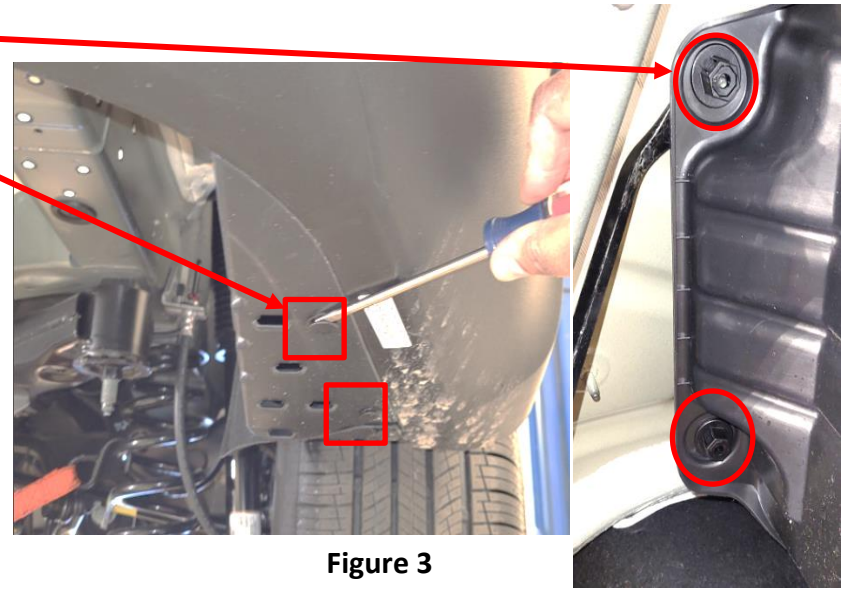


Figure 3

2. Install hitch: Raise hitch into position and loosely install (3) M10 bolts ① and (3) conical washers ②, both sides, see **Figure 1**.

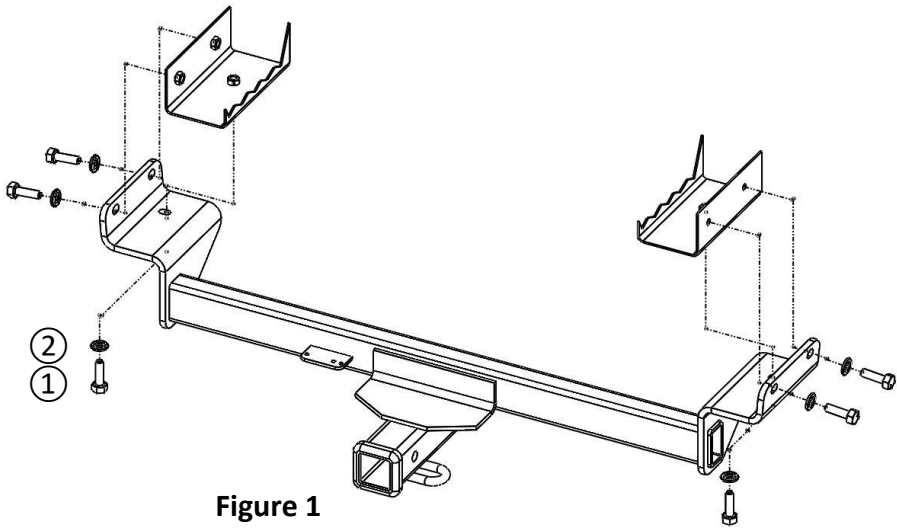


Figure 1

3. Tighten all M10 fasteners with torque wrench to 42 Ft.-Lb. (57 N*M).

⚠ Proper torque is needed to keep the hitch secure to the vehicle when towing.

4. Reinstall passenger side underbody panel.

