



Installation Instructions

PART NUMBERS: 76176, 84176, CQT76176

Applications:

Years	Make	Models
2018-Current*	Volkswagen	Atlas

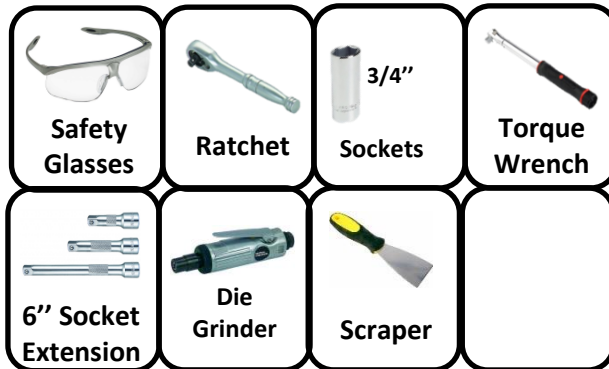
Installation Time: 25 min.

The time listed above is the average time for professional installers. If you do not feel comfortable performing this installation on your own or are in need of assistance, please contact a professional installer.



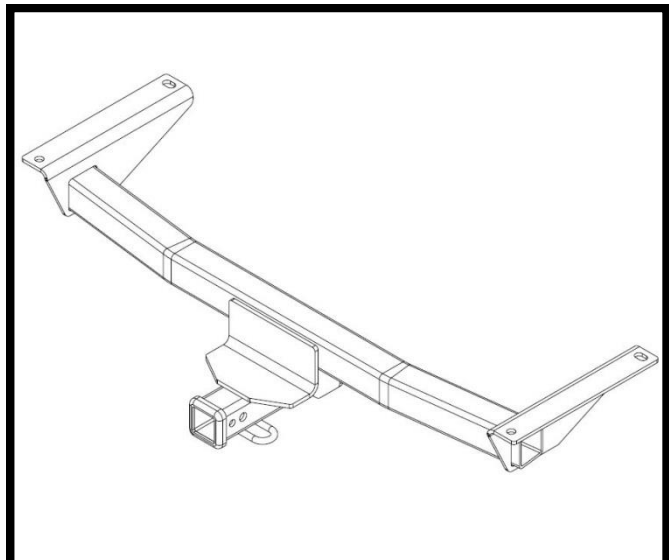
Representative Vehicle Photo

Equipment Required:



**DO NOT EXCEED LOWER OF TOWING VEHICLE
MANUFACTURER'S RATING OR:**

Hitch Type	Max Gross Trailer Weight	Max Tongue Weight
Weight Carrying	6000 lb. (2724 Kg)	900 lb. (409 Kg)
Weight Distributing	6000 lb. (2724 Kg)	900 lb. (409 Kg)



Hitch Illustration

Always wear SAFETY GLASSES when installing hitch

Installation Instructions

PART NUMBERS: 76176, 84176, CQT76176

Fastener Kit: 76176F		
①	Qty.(4)	Carr. Bolt 1/2" -13 X 1 3/4" GR5 
②	Qty.(4)	Spacer 1/4" x 1" x 3" Part No. 03022 
③	Qty.(4)	Conical washer 1/2" Part No. 01292008 
④	Qty.(4)	Hex Nut 1/2"-13 GR5 
⑤	Qty. (4)	Fish wire 1/2" Part No. 5482 

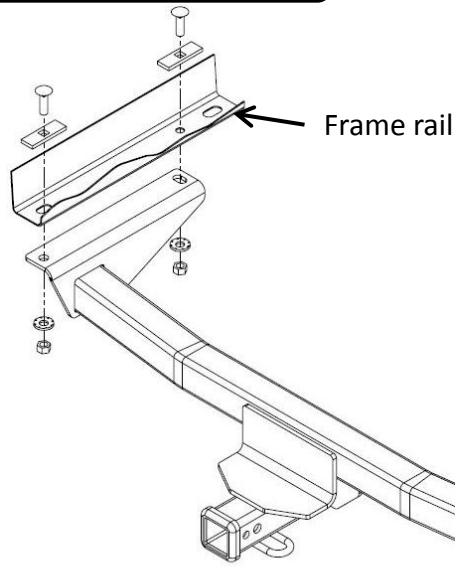
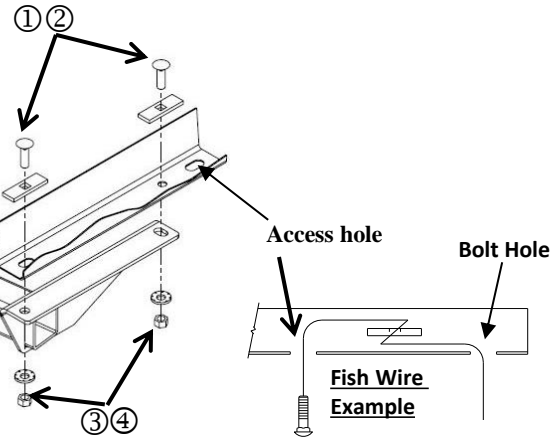


Figure 1



Figure 2



- 1. Remove Excess Caulk-** Remove excess caulk from the frame rails in the hitch installation area.
- 2. Enlarge access hole –** Using a die grinder or other suitable tool, enlarge the access hole enough for the carriage bolt head to fit through. See figure 2
- 3. Install hardware -** Using the fish wire install items 1 and 2 as shown in figure 1 through the access hole in the vehicle frame. Repeat for both sides. **Note:** Keep the fish wire attached to the hardware.
- 4. Install hitch -** Raise hitch into position. Feed the end of the fish wires through the attachment holes in the hitch, be careful not to push the hardware back into the vehicle frame. Loosely install items 3 and 4 to hold the hitch in place. Conical washer teeth side against hitch.
- 5. Torque fasteners -** Tighten all 1/2"-13 GR5" fasteners with torque wrench to 75Lb.-Ft. (102 N*M)



Proper torque is needed to keep the hitch secure to the vehicle when towing.

***Note –** The hitch is intentionally designed to be close to the fascia at the center. **(Trim center, inside, lower edge of fascia in area of the hitch if necessary.)**

Note: check hitch frequently, making sure all fasteners and ball are properly tightened. If hitch is removed, plug all holes in trunk pan or other body panels to prevent entry of water and exhaust fumes. A hitch or ball which has been damaged should be removed and replaced. Observe safety precautions when working beneath a vehicle and wear eye protection. Do not cut access or attachment holes with a torch.

This product complies with safety specifications and requirements for connecting devices and towing systems of the state of New York, V.E.S.C. Regulation V-5 and SAE J684.

Remove Excess Caulk- Remove excess caulk from the frame rails in the hitch installation area.

Enlarge access hole – Using a die grinder or other suitable tool, enlarge the access hole enough for the carriage bolt head to fit through. See figure 2



Install hardware - Using the fish wire install items 1 and 2 as shown in figure 1 through the access hole in the vehicle frame. Repeat for both sides. **Note:** Keep the fish wire attached to the hardware.



Install hitch - Raise hitch into position. Feed the end of the fish wires through the attachment holes in the hitch, be careful not to push the hardware back into the vehicle frame. Loosely install items 3 and 4 to hold the hitch in place. Conical washer teeth side against hitch.



Torque fasteners - Tighten all ½-13 GR5" fasteners with torque wrench to **75Lb.-Ft. (102 N*M)**



Proper torque is needed to keep the hitch secure to the vehicle when towing.

