



Installation Instructions

PART NUMBERS: 76026, 84026, CQT76026

Applications:

Years	Make	Models
2017-Current*	Jaguar	F-Pace

Installation Time: 90 min

The time listed above is the average time for professional installers. If you do not feel comfortable performing this installation on your own or are in need of assistance, please contact a professional installer.



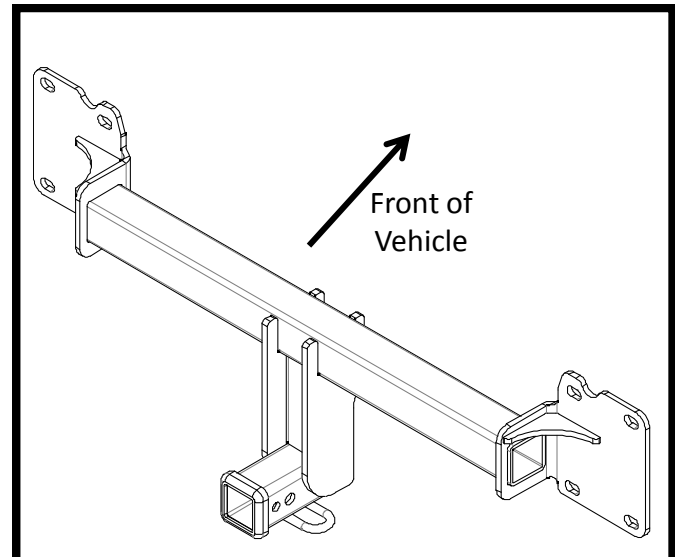
Representative Vehicle Photo

Equipment Required:

Safety Glasses	Ratchet	8 mm 10 mm 21 mm Sockets	6" Socket Extension	Torque Wrench	T20 Torxbit Socket
Silicone Sealant	Plastic Trim Tools	Utility Knife	Tape	Phillips Screwdriver	

DO NOT EXCEED LOWER OF TOWING VEHICLE MANUFACTURER'S RATING OR:

Hitch Type	Max Gross Trailer Weight	Max Tongue Weight
Weight Carrying	6000 lb. (2724 kg)	900 lb. (409 kg)
Weight Distributing	N/A	N/A



Hitch Illustration

Always wear SAFETY GLASSES when installing hitch

Installation Instructions

PART NUMBERS: 76026, 84026, CQT76026

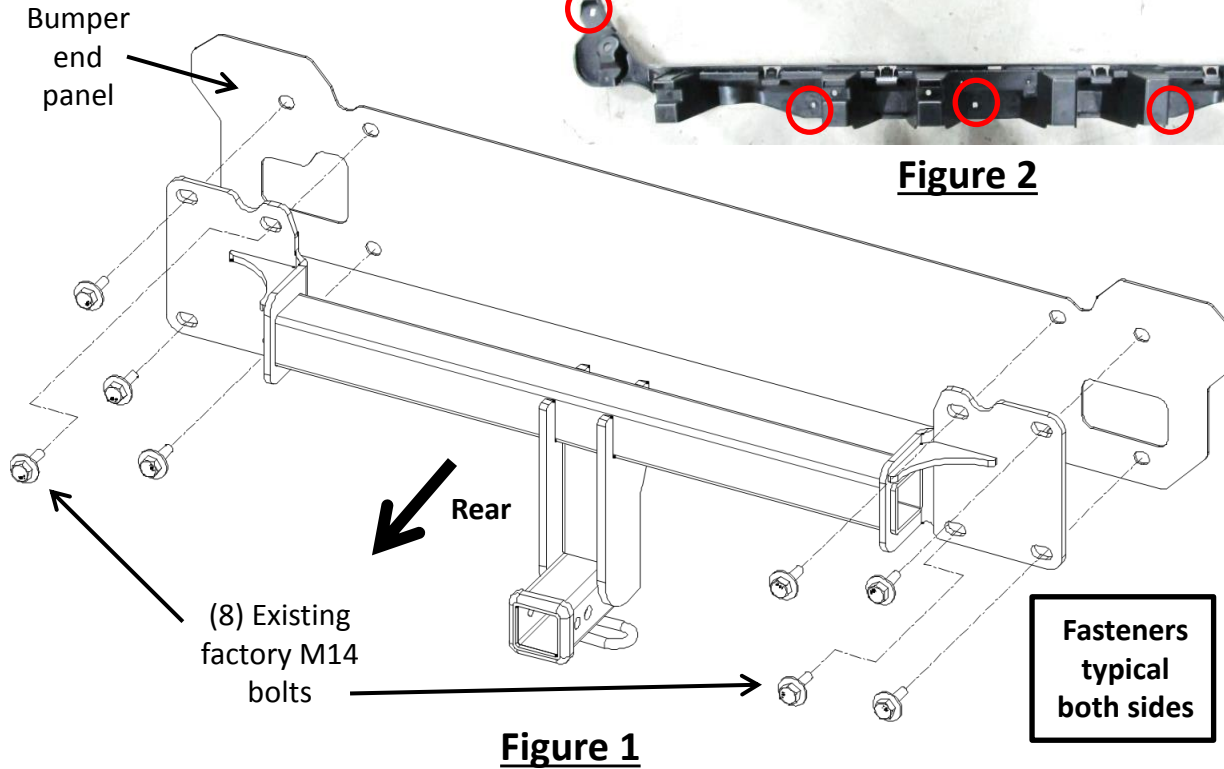


Figure 2

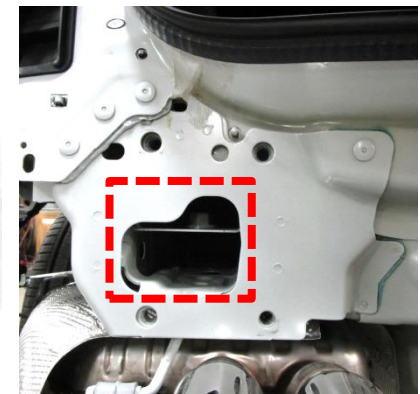


Figure 3

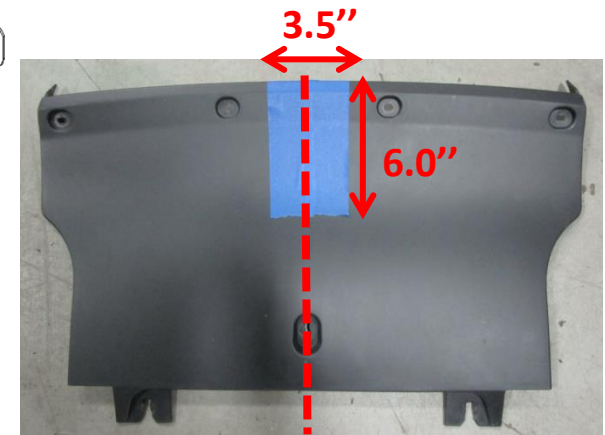


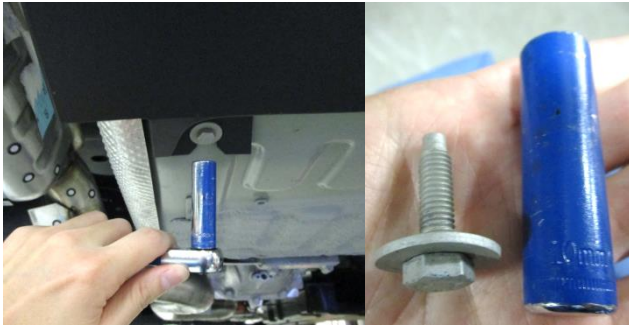
Figure 4

- 1. Bottom appearance panel removal** – Use 10 mm socket to remove (3) screws and screwdriver to remove (4) plastic screws from the bottom panel. Carefully remove the bottom panel and set it aside for reinstallation.
- 2. Fascia removal** – (a) Open the rear hatch. Remove interior trim panel next to taillight each side. Use 10 mm socket to remove (1) screw behind interior trim panel each side. Use screwdriver to remove (1) plastic screw from the fascia each side. (b) Use screwdriver to remove (2) screws from wheel well each side. Behind the wheel well, use T20 torxbit socket to remove (2) screws and screwdriver to remove (4) screws each side. (c) Use plastic trim tools to remove the fascia starting at the outer edges near the wheel wells and gently pull the fascia. Disconnect wiring harness on driver side if present.
- 3. Bumper beam removal** - Use 8 mm socket to remove (5) screws from the panel above bumper beam, see **Figure 2**. Use 21 mm socket to remove (4) M14 factory bolts from bumper beam each side. Gently remove the panel and bumper beam and set them aside. Return bumper beam to vehicle owner.
- 4. Hitch installation** - Use silicone sealant to seal around the opening on the end panel each side, see **Figure 3**. Raise the hitch into position and align it with bumper end panel holes. Loosely secure the hitch to the bumper end panel using (8) existing M14 factory bolts removed in Step 3, see **Figure 1**.
- 5. Tighten all M14 fasteners with torque wrench to 115 Lb.-Ft. (156 N*M).**
- 6. Bottom appearance panel trimming** – locate the center of bottom panel and trim 6.0" tall by 3.5" wide area, see **Figure 4**.
- 7. Reinstall all fasteners, bumper panel, interior trim panel, wiring harness, fascia, and appearance bottom panel removed in Step 1, 2, 3.**

Proper torque is needed to keep the hitch secure to the vehicle when towing.

Note: check hitch frequently, making sure all fasteners and ball are properly tightened. If hitch is removed, plug all holes in trunk pan or other body panels to prevent entry of water and exhaust fumes. A hitch or ball which has been damaged should be removed and replaced. Observe safety precautions when working beneath a vehicle and wear eye protection. Do not cut access or attachment holes with a torch. This product complies with safety specifications and requirements for connecting devices and towing systems of the state of New York, V.E.S.C. Regulation V-5 and SAE J684.

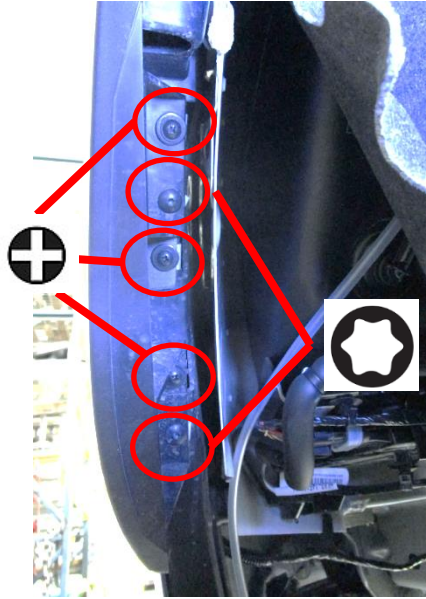
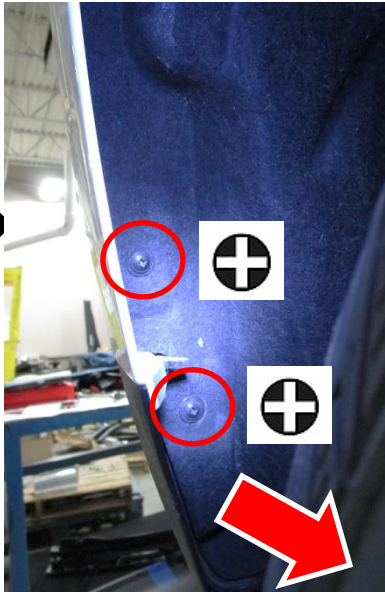
1. Bottom appearance panel removal – Use 10 mm socket to remove (3) screws and screwdriver to remove (4) plastic screws from the bottom panel. Carefully remove the bottom panel and set it aside for reinstallation.



2. Fascia removal – (a) Open the trunk. Remove plastic cover piece next to taillight each side. Use 10 mm socket to remove (1) screw behind plastic cover piece each side. Use screwdriver to remove (1) plastic screw from the fascia each side.



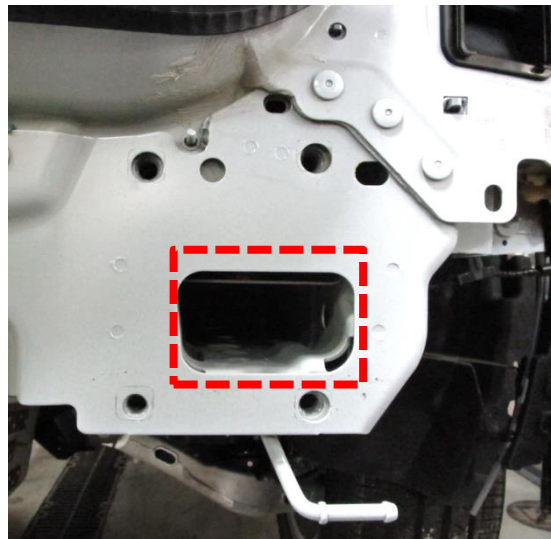
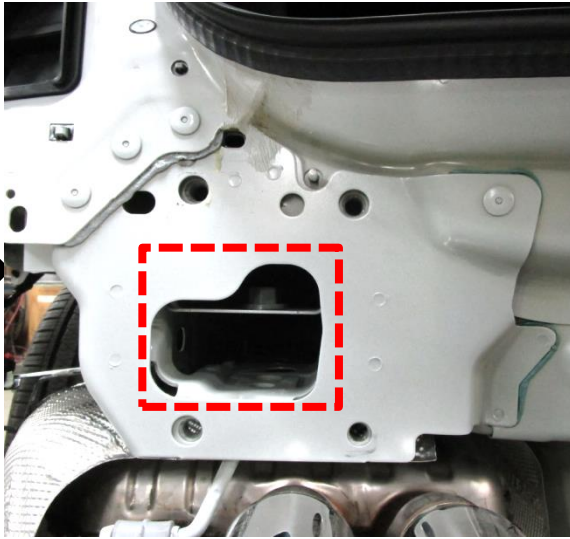
2. Fascia removal – (b) Use screwdriver to remove (2) screws from wheel well each side. Behind the wheel well, use T20 torxbit socket to remove (2) screws and screwdriver to remove (4) screws each side. **(c)** Use plastic trim tools to remove the fascia starting at the outer edges near the wheel wells and gently pull the fascia. Disconnect wiring harness on driver side if present.



3. Bumper beam removal - Use 8 mm socket to remove (5) screws from the panel above bumper beam, see [Figure 2](#). Use 21 mm socket to remove (4) M14 factory bolts from bumper beam each side. Gently remove the panel and bumper beam and set them aside. Return bumper beam to vehicle owner.



4. Hitch installation - Use silicone sealant to seal around the opening on the end panel each side, see **Figure 3**. Raise the hitch into position and align it with bumper end panel holes. Loosely secure the hitch to the bumper end panel using (8) existing M14 factory bolts removed in Step 3, see **Figure 1**.

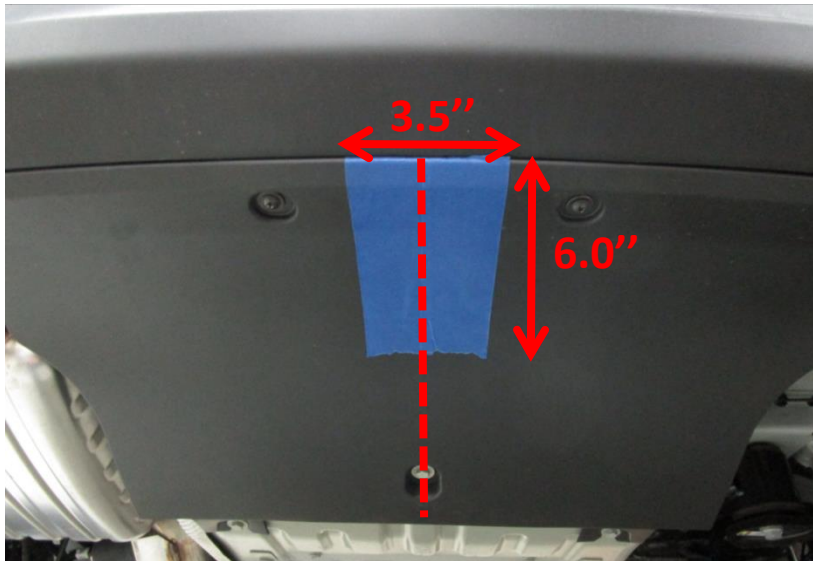


5. Tighten all M14 fasteners with torque wrench to 115 Lb.-Ft. (156 N*M).

6. Bottom appearance panel trimming – locate the center of bottom panel and trim 6.0" tall by 3.5" wide area, see **Figure 4**.

7. Reinstall all fasteners, bumper panel, plastic cover piece, fascia, and appearance bottom panel removed in Step 1, 2, 3.

⚠ Proper torque is needed to keep the hitch secure to the vehicle when towing.



Check out a selection of trailer hitches and towing offered in our online store.