



Installation Instructions

PART NUMBERS: 75791, 84791

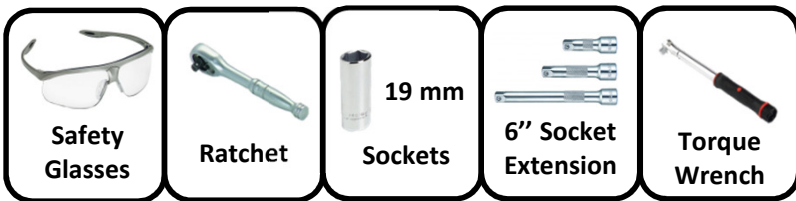
Applications:

Years	Make	Models
2016-Current*	Toyota	Hilux Tub

Installation Time: 35 min

The time listed above is the average time for professional installers. If you do not feel comfortable performing this installation on your own or are in need of assistance, please contact a professional installer.

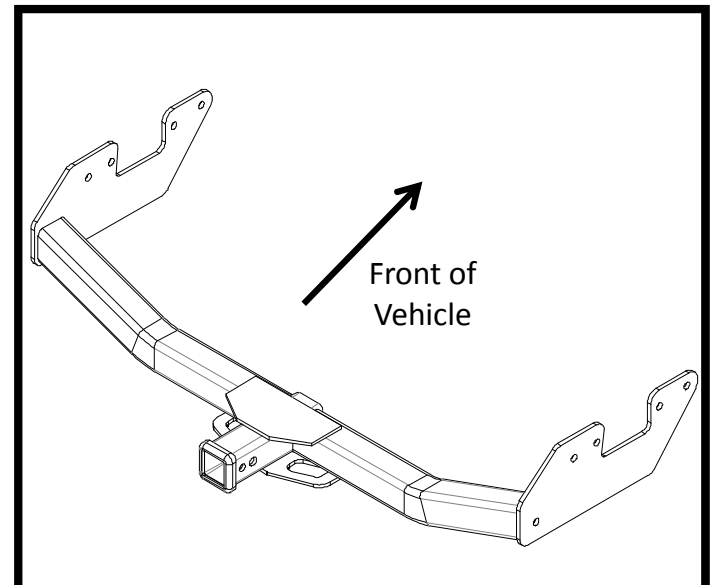
Equipment Required:



Representative Vehicle Photo

DO NOT EXCEED LOWER OF TOWING VEHICLE MANUFACTURER'S RATING OR:

Hitch Type	Max Gross Trailer Weight	Max Tongue Weight
Weight Carrying	8000 lb. (3632 kg)	800 lb. (362 kg)
Weight Distributing	8000 lb. (3632 kg)	800 lb. (362 kg)






Hitch Illustration

Always wear SAFETY GLASSES when installing hitch

Installation Instructions

PART NUMBERS: 75791, 84791

Fastener Kit: 75791F

①	Qty. (8)	Bolt M12 1.25x40, CL10.9	
②	Qty. (8)	Conical washer 1/2"	
③	Qty. (4)	Spacer round hole .250x1x1.5	

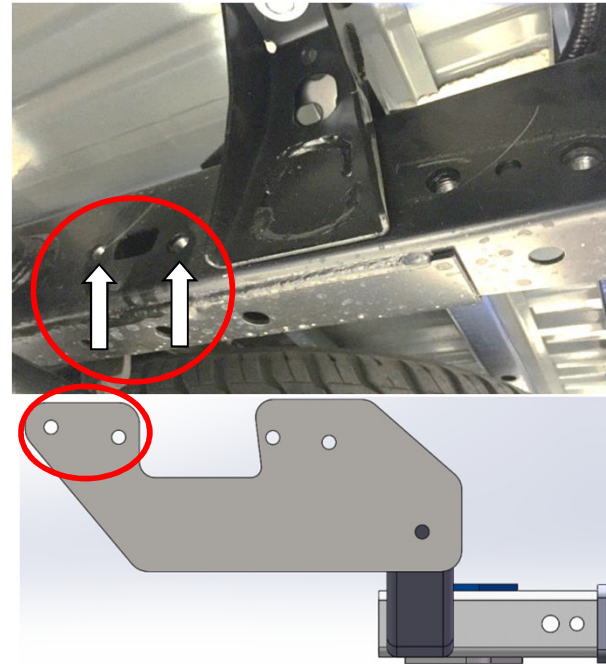
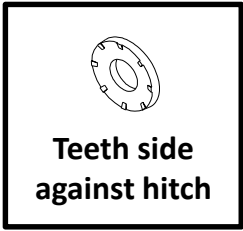


Figure 3

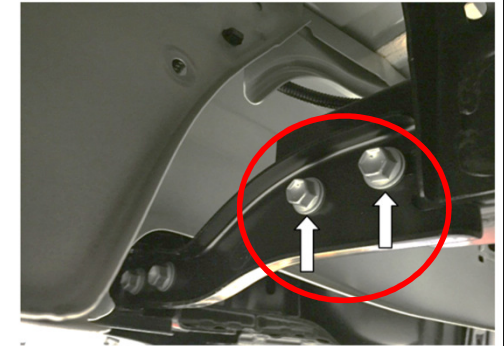


Figure 2

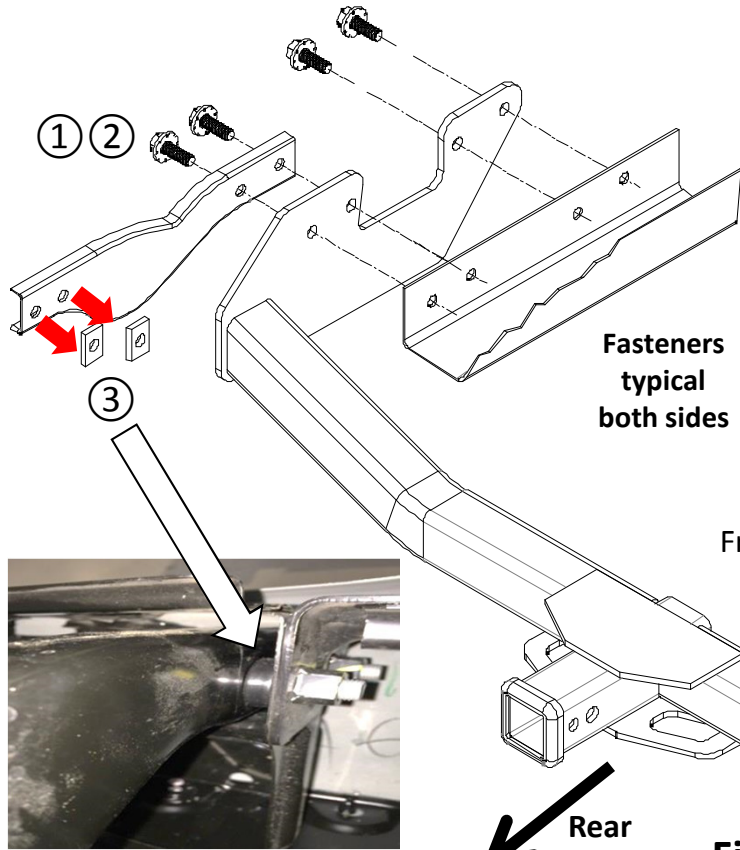


Figure 1

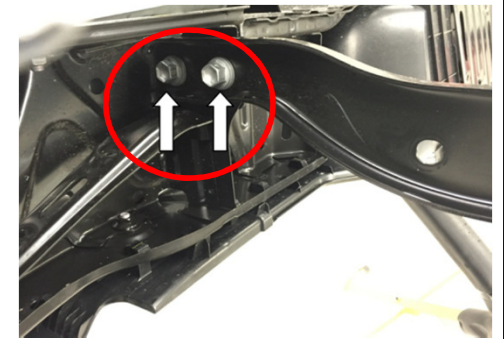


Figure 4

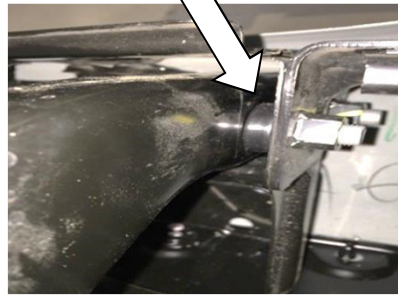


Figure 5

1. Rear bumper removal – remove (2) M12 bolts on the bumper bracket from frame rail each side, see Figure 2.
2. Hitch installation – raise the hitch and loosely install M12 bolts ① and conical washers ② through (2) forward holes of hitch bracket to the frame weldnuts each side, see Figure 3.
3. Bumper reinstallation – remove (2) M12 bolts that attach mounting bracket to bumper, see Figure 4. Reinstall the bumper mounting bracket with a spacer ③ inside, see Figure 1, 4,5. Loosely insert M12 bolts ① and conical washers ② through (2) forward holes of bumper mounting bracket and sandwich the hitch bracket with vehicle frame, see Figure 1.
4. **Tighten all fasteners with torque wrench to 105 Lb.-Ft. (142 N*M).**

⚠ Proper torque is needed to keep the hitch secure to the vehicle when towing.

Note: check hitch frequently, making sure all fasteners and ball are properly tightened. If hitch is removed, plug all holes in trunk pan or other body panels to prevent entry of water and exhaust fumes. A hitch or ball which has been damaged should be removed and replaced. Observe safety precautions when working beneath a vehicle and wear eye protection. Do not cut access or attachment holes with a torch.

This product complies with safety specifications and requirements for connecting devices and towing systems of the state of New York, V.E.S.C. Regulation V-5 and SAE J684.