



# Installation Instructions

PART NUMBERS: 24967, 77967, CQT24967

## Applications:

Years	Make	Models
2010 – 2015	Toyota	Prius
2012 – 2015	Toyota	Prius Plug-In
2012 - *Current	Toyota	Prius V

## Installation Time: 40 min

The time listed above is the average time for professional installers. If you do not feel comfortable performing this installation on your own or are in need of assistance, please contact a professional installer.



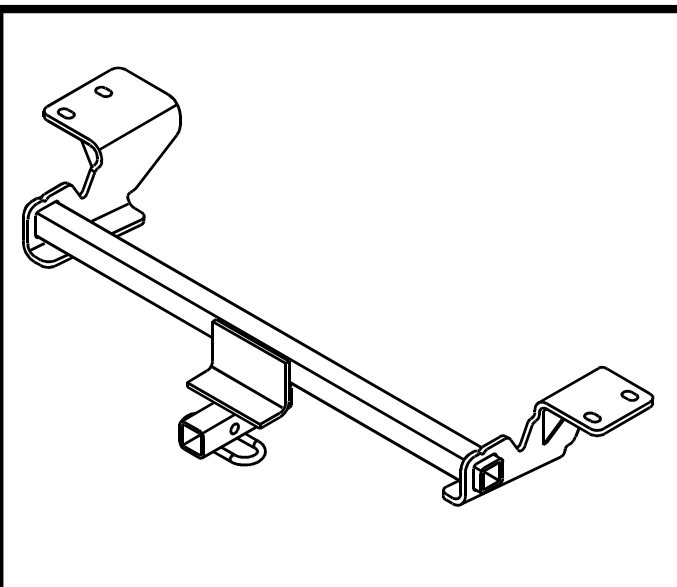
Representative Vehicle Photo

## Equipment Required:

Safety Glasses	Ratchet	10 mm 19 mm Sockets	6" Socket Extension	Torque Wrench	Soapy Water	Flat Head Screw Driver
Exhaust Removal Pliers	Ratchet Strap	OR Bungee Cord	Tape Measure	Marker	OR Utility Knife	OR Tin Snips

## DO NOT EXCEED LOWER OF TOWING VEHICLE MANUFACTURER'S RATING OR:

Hitch Type	Max Gross Trailer Weight	Max Tongue Weight
Weight Carrying	2000 lb. (908 kg)	200 lb. (90.8 kg)
Weight Distributing	X	X



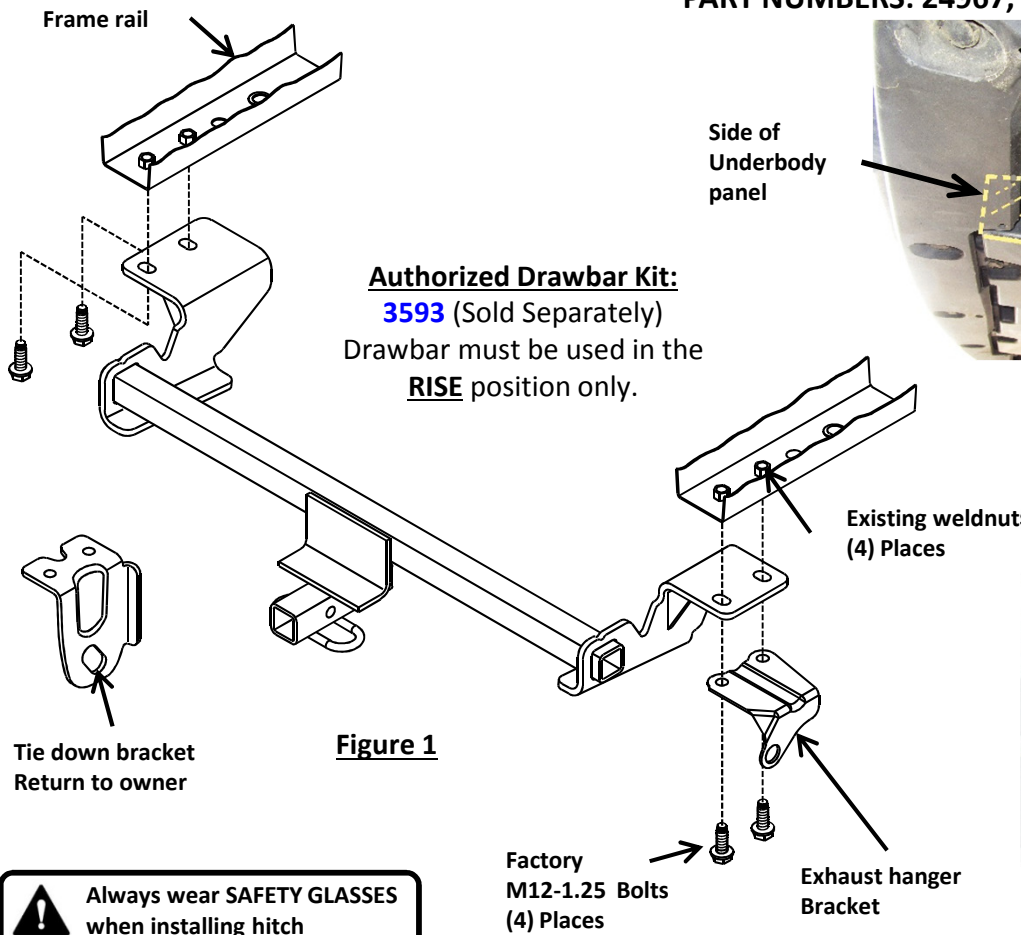
Hitch Illustration

# Installation Instructions

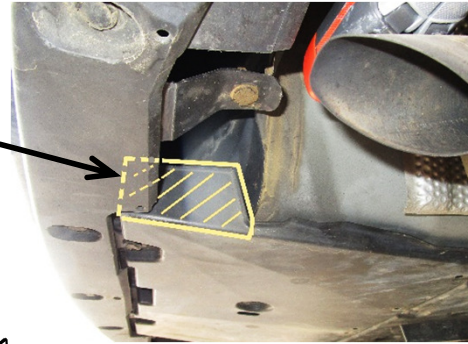
**PART NUMBERS: 24967, 77967, CQT24967**

Fastener Kit: 24967F

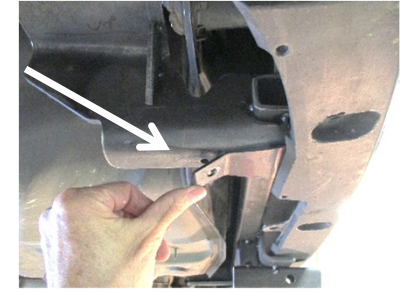
①	Qty. (2)	Cable Tie 
---	----------	---



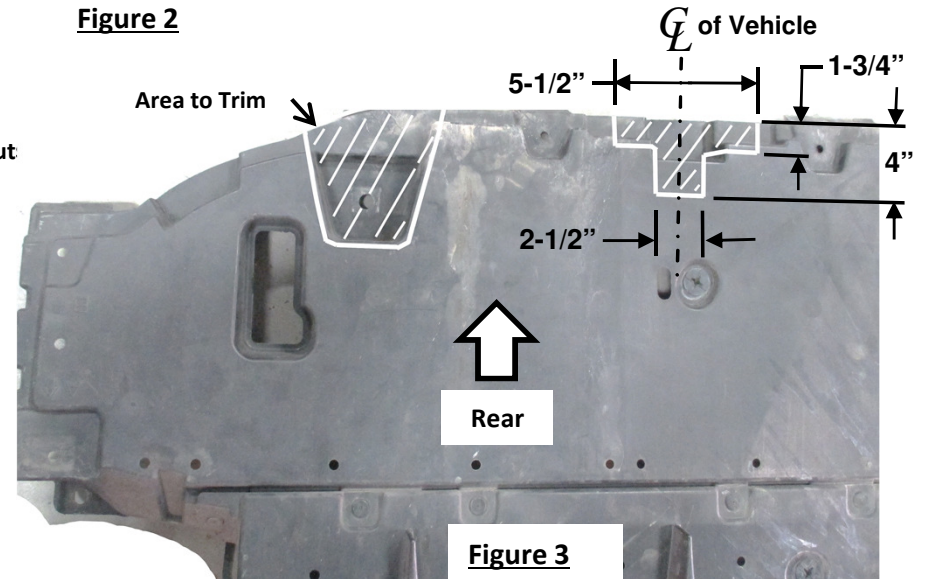
Side of Underbody panel



Cable Tie Fascia Tabs



Area to Trim



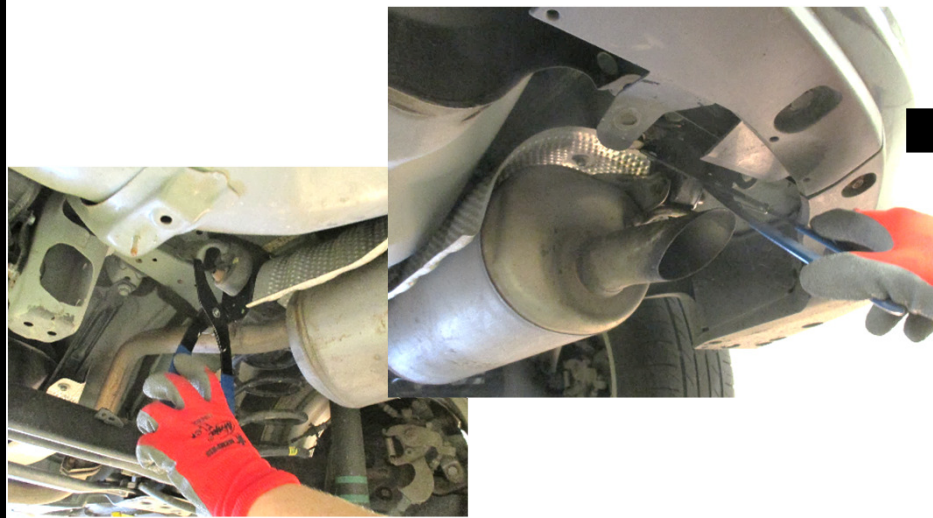
**Always wear SAFETY GLASSES when installing hitch**

- Lower muffler** – Using an exhaust hanger removal tool, lower muffler by removing (1) rearmost rubber hanger, and (1) forward rubber hanger. A spray a lubricant or soapy water on rubber hangers makes them slide off metal pins more easily. **NOTE: Be sure exhaust is supported before removing rubber hangers.**
- Remove exhaust hanger bracket** – Using a 19mm socket, remove (2) bolts from exhaust hanger bracket on passenger's side. Save exhaust bracket and bolts to be reused for hitch installation.
- Remove underbody panel** – using a flat head screw driver and a 10mm socket, remove (6) plastic push-pin rivets, (1) hex nut, and unscrew (4) threaded panel fasteners from bottom of panel.
- Remove tie down bracket** - Using a 19mm socket, remove (2) bolts from tie down bracket on driver's side. Bolts to be used for hitch installation. Return tie down bracket to vehicle owner.
- Trim underbody panel** – using a tape measure, marker and utility knife, measure, mark, and trim the underbody panel as shown in **Figures 2 and 3**.
- Install hitch** – raise hitch into position, raising the driver's side of hitch into position first, position bracket above carbon canister hoses, then raise the passenger's side into position. **See Figure 1.**
- Reinstall fasteners** - Loosely reinstall the (4) factory M12 bolts (and exhaust hanger bracket on passenger's side) into existing weldnuts in frame. **NOTE: The hitch is sandwiched between the exhaust hanger bracket and frame. See Figure 1.**
- Tighten all M12 factory bolts with torque wrench to 76 Lb.-Ft. ( 103 N\*M)** **▲ Proper torque is needed to keep the hitch secure to the vehicle when towing.**
- Raise muffler** back into position and reattach all rubber hangers removed in step 1.
- Reinstall the underbody panel** using (4 of 6) push-pin rivets, (4) threaded fasteners, and (1) hex nut.
- Secure Fascia tabs** -Using (2) cable ties provided, secure (2) rear fascia tabs to bottom of hitch bracket. Trim excess ends of cable ties. **See Figure 4.**

Note: check hitch frequently, making sure all fasteners and ball are properly tightened. If hitch is removed, plug all holes in trunk pan or other body panels to prevent entry of water and exhaust fumes. A hitch or ball which has been damaged should be removed and replaced. Observe safety precautions when working beneath a vehicle and wear eye protection. Do not cut access or attachment holes with a torch. This product complies with safety specifications and requirements for connecting devices and towing systems of the state of New York, V.E.S.C. Regulation V-5 and SAE J684.



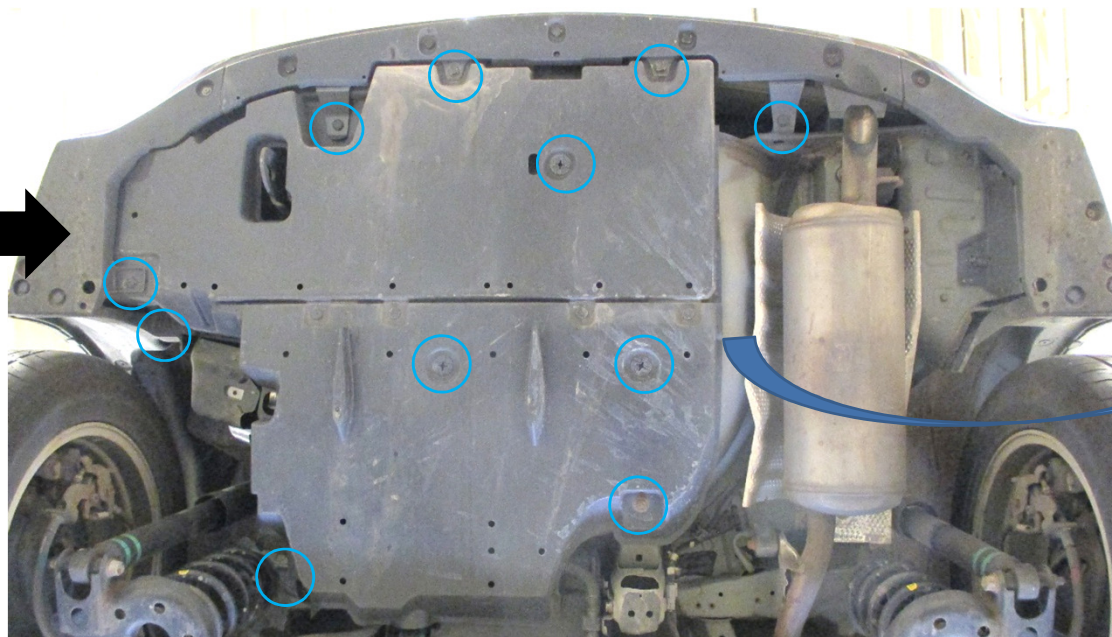
**1. Lower muffler** – Using an exhaust hanger removal tool, lower muffler by removing (1) rearmost rubber hanger, and (1) forward rubber hanger. A spray a lubricant or soapy water on rubber hangers makes them slide off metal pins more easily. **NOTE: Be sure exhaust is supported before removing rubber hangers.**



**2. Remove exhaust hanger bracket** – Using a 19mm socket, remove (2) bolts from exhaust hanger bracket on passenger's side. Save exhaust bracket and bolts to be reused for hitch installation.



**3. Remove underbody panel** – using a flat head screw driver and a 10mm socket, remove (6) plastic push-pin rivets, (1) hex nut, and unscrew (4) threaded panel fasteners from bottom of panel.

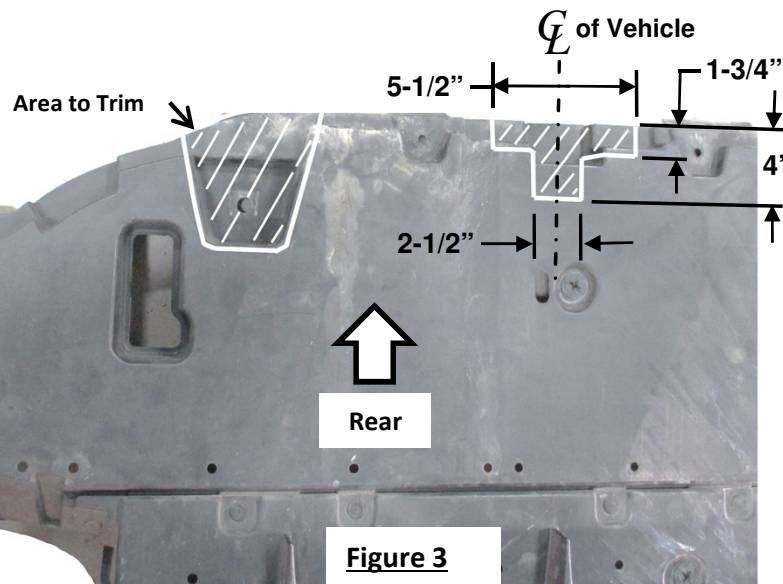




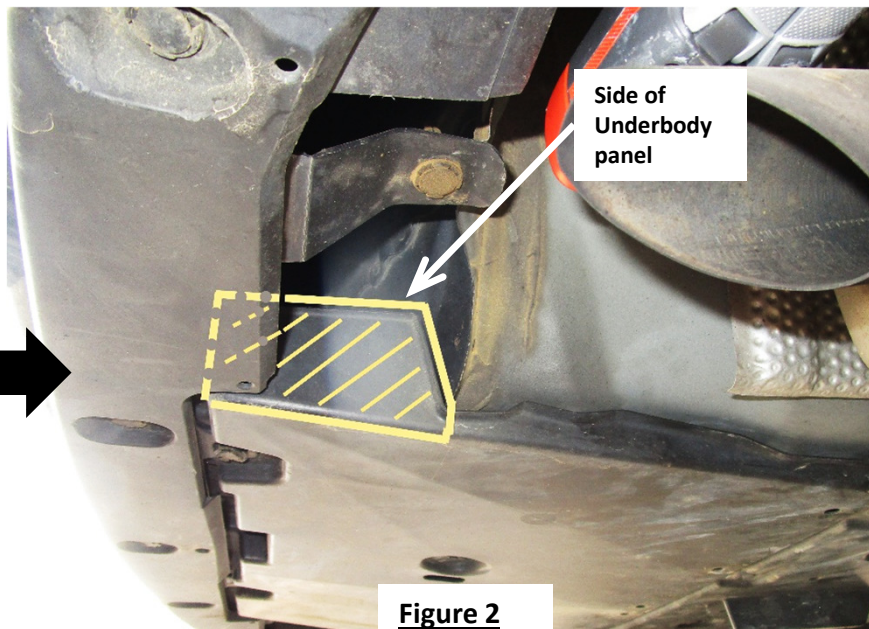
**4. Remove tie down bracket** - Using a 19mm socket, remove (2) bolts from tie down bracket on driver's side. Bolts to be used for hitch installation. Return tie down bracket to vehicle owner.



**5a. Trim underbody panel** – using a tape measure, marker and utility knife, measure, mark, and trim the underbody panel as shown in Figures 2 and 3.



**5b. Trim underbody panel** – using a tape measure, marker and utility knife, measure, mark, and trim the underbody panel as shown in Figure 2 and 3.



**6. Install hitch** – raise hitch into position, raising the driver's side of hitch into position first, position bracket above carbon canister hoses, then raise the passenger's side into position. See Figure 1.





**7. Reinstall fasteners** - Loosely reinstall the (4) factory M12 bolts (and exhaust hanger bracket on passenger's side) into existing weldnuts in frame. **NOTE:** The hitch is sandwiched between the exhaust hanger bracket and frame. **See Figure 1.**



**8. Tighten all M12 factory bolts with torque wrench to 76 Lb.-Ft. ( 103 N\*M)**

**!** Proper torque is needed to keep the hitch secure to the vehicle when towing.

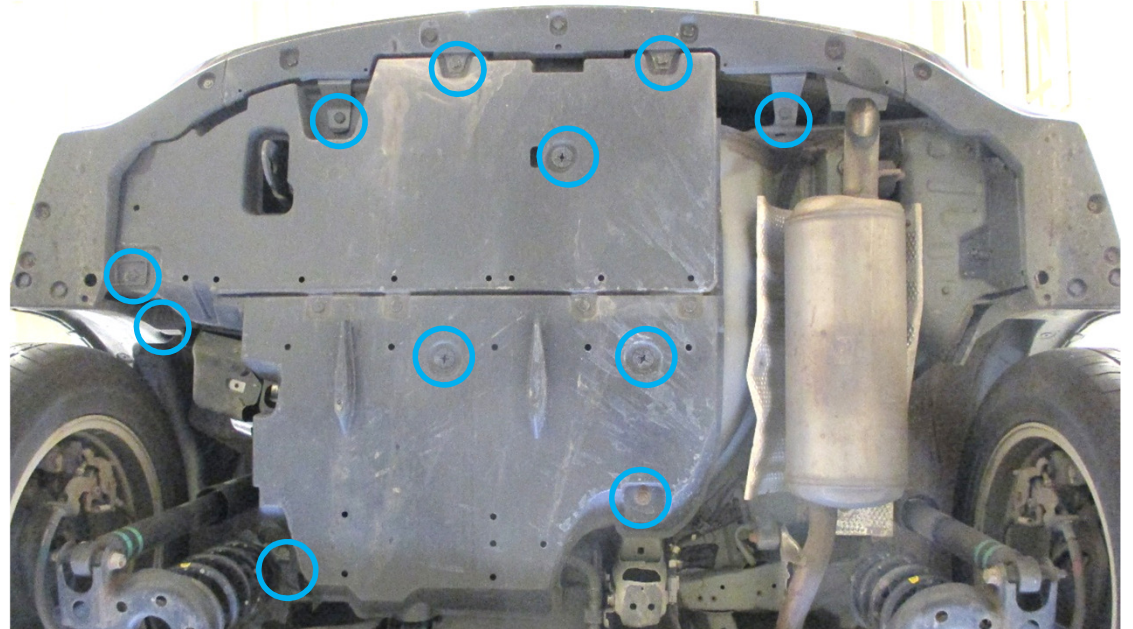


**9. Raise muffler back into position and reattach all rubber hangers removed in step 1.**

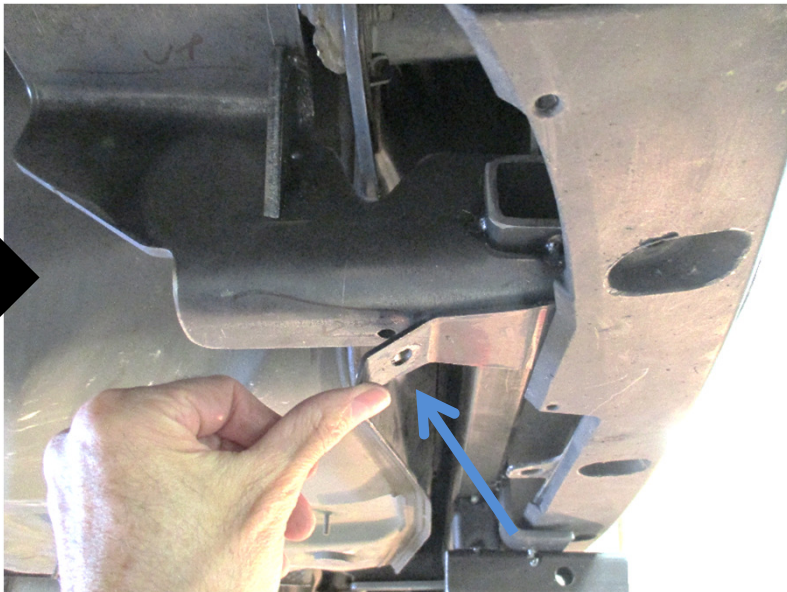




10. Reinstall the underbody panel using (4 of 6) push-pin rivets, (4) threaded fasteners, and (1) hex nut.



11. Using the (2) cable ties provided, secure (2) rear fascia tabs to bottom of hitch bracket. Trim excess ends of cable ties. See Figure 4.



On our website you can discover more about trailer hitches and towing.