

DOSY

Welcome to the online version of your DOSY Manual.
We hope that you find this helpful and informative.

AM - Modulation

1. Operate MOD SET Control Switch (#1 Fig. 2) to SET position.
2. Turn MOD RF Level Control (#2 Fig. 2) to Min.
3. Key transmitter and turn MOD RF Level Control (#2 Fig 2) clockwise to give a full scale meter reading to Set
4. Operate MOD SET Control Switch (#1 Fig. 2) to MOD position. Key transmitter and talk or steadily whistle into the microphone. Read Modulation percentage directly on the AM MOD scale.

NOTE: A.M. modulation check functions must be performed on each wattage range, to prevent possible damage to the meter movements.

General Notation

On Grounded Grid amplifiers, we do not recommend checking modulation at higher powers. Grounded Grid amplifiers will not be able to output 100% modulation in the A.M. mode, however, the feed through power prevents the grounded grid from being fully modulated. This is the reason A.M. modulation should be checked at the transmitter, or with the Linear Amplifier in standby position.

Meter Scale Reading

- 0 - 30 Watts..... 30 Scale
- 0 - 1000 Watts 1000 Scale



DOSY TR-1000 Mobile Test Center Instruction Manual

Installation

NOTE: After completing the installation of the DOSY TR-1000 Watt Meter, read and familiarize yourself with the operation section before operating the Watt Meter.

GENERAL: The TR-1000 can be mounted on top of, or below the dashboard of either a car or truck.

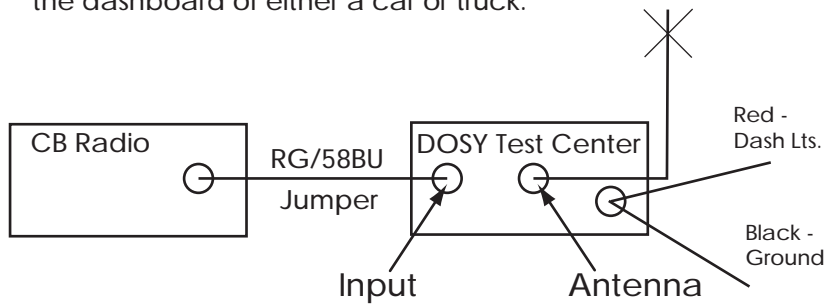


Figure 1

STEP 1: After determining the desired location of the watt meter, remove the two thumb nuts on both sides of the mounting bracket and remove the mounting bracket from the meter case. Now, position the mounting bracket and mark where the holes are to be drilled. Drill holes using a 1/8" drill bit and attach the mounting bracket using two 3/16" X 1/2" sheet metal screws.

STEP 2: Note the TR-1000 can be illuminated for night use. Locate one of the dash light wires and connect the red wire from the watt meter to it. Attach the black wire to any ground in the vehicle. Make sure there are no bare wires at this point which could cause a short. If your dash lights use a dimmer switch, the watt meter lights will dim with them.

STEP 3: Remove the antenna cable from the CB Radio and connect it to the ANT connector on the watt meter. Using a jumper cable made to proper length using PL-259 screw-on connectors at each end, connect one end to the CB Radio and the other end to the watt meter INPUT socket.



Figure 2

Operation

WATTS

The TR-1000 Watt Meter will indicate the power output (in watts) of your equipment at the point in the transmission line where you have installed the Watt Meter. To measure any power from 0 to 1000 watts on two ranges (when measuring any unknown power) always use a higher range to start with.

Peak WATTS

The TR-1000 Watt Meter will indicate peak watts at all times when transmitter is modulated.

SWR Check

1. Turn Selector Switch (#1 Fig. 2) to SWR/SET position.
2. Turn RF level control (#2 Fig. 2) to MIN position.
3. Key transmitter and turn RF level control to give a full scale meter reading or to the SWR/SET on meter scale
4. With microphone keyed, switch Selector Switch (#1 Fig 2) to the SWR position and read SWR percentage directly on SWR scale.