

DOSY

Welcome to the online version of your DOSY Manual.
We hope that you find this helpful and informative.



DOSY TC-3001-P Test Center Instruction Manual

Light Operation

On the rear of the TC-3001-P unit, there is a power plug-in adapter. Insert the jack of the supplied power pack, and plug pack into wall outlet. To operate the Lights on the unit, use the switch located on the rear of the unit.

General Notation

On Grounded Grid amplifiers, we do not recommend checking modulation at higher powers. Grounded Grid amplifiers will not be able to output 100% modulation in the A.M. mode, however, the feed through power prevents the grounded grid from being fully modulated. This is the reason A.M. modulation should be checked at the transmitter, or with the Linear Amplifier in standby position.

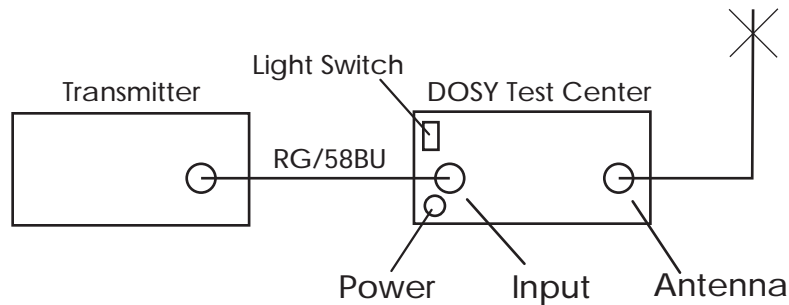


1. SWR Meter
2. RF Power Watt Meter
3. Modulation Meter
4. SWR Set Control Switch
5. SWR RF Level Control
6. RF Range Switch
7. MOD RF level Control
8. MOD Set Control Switch

Figure 1

Installation Instructions

The test center can be installed at any point in your transmitter line.



One of the unique features of the TC-3001-P is the ability of the unit to **monitor all functions of the transmitter simultaneously.**

Starting Tips

1. Set SWR and MOD RF level controls to minimum.
2. Set Range Switch to 1000.
3. Set SWR and MOD functions on each Range to prevent damage to the meter movements.

Operating Instructions

Watts

The TC-3001-P Test Center will indicate the power output (in watts) of your equipment at the point in the transmission line where you have installed the test center. To measure any power from 1 to 1000 watts, just set the RF Power Range Switch (#6 FIG. 1) to the appropriate range: 10, 100, 1000 watts. Key the transmitter and read the wattage on the corresponding scale of the RF Power Meter (#2 Fig. 1).

NOTE: If power output is uncertain, use the highest range and work down until the range is appropriate to prevent possible damage to the meter movement.

SWR Set

1. Operate SWR Set Control Switch (#4 Fig. 1) to Set Position.
2. Turn SWR RF Level Control (#5 Fig. 1) to Min.
3. Key transmitter and turn SWR RF Level Control clockwise (#5 Fig. 1) to give a full scale meter reading to Set Line on the SWR Meter (#1 Fig. 1).

NOTE: The SWR Functions need to be performed on each wattage range to prevent possible damage to the meter movements.

A.M. Modulation Check

1. Operate MOD SET Control Switch (#8 Fig. 1) to SET position.
2. Turn MOD RF Level Control (#7 Fig. 1) to Min.
3. Key transmitter and turn MOD RF Level Control (#7 Fig. 1) clockwise to give a full scale meter reading to Set on the Modulation Meter (#3 Fig. 1)
4. Operate MOD SET Control Switch (#8 Fig. 1) to MOD position. Key transmitter and talk or steadily whistle into the microphone. Read Modulation percentage directly on the modulation meter (#3 Fig. 1)

NOTE: A.M. modulation check functions must be performed on each wattage range, to prevent possible damage to the meter movements.