

# DRIVE SHAFT ASSEMBLIES

Offering 1,760+ SKUs covering over 310 million vehicles



**936-803:**

Ford F-150 2008-04



*Shipped Directly to You or  
Customer's Location*  
**Convenient, Fast Delivery**

Drive shaft orders will ship within 3-5 business days

**Conway / XPO (LTL)**

**Fedex Ground Rate**

**Fedex 2 Day Rate**

**Fedex Standard Overnight Rate**

*Where available / Does not apply to mixed POs/multiple  
drive shaft orders*



Features and Benefits:

- 100% new, not remanufactured
- Engineered with serviceable U-joints (where applicable)
- Direct-fit-Replacement, no special tools or welding required
- Unique "keying" feature reduces shipping box size
- Ships balanced, no need to rebalance prior to final installation

**FAILURE MODE:**

- Failure results in clunking noise or vibration

## ALSO AVAILABLE DRIVE SHAFTS:



**936-303**

BMW 325xi 2005-01, BMW 330xi 2004-01,  
BMW X3 2011-07



**936-276**

Chevrolet Silverado 2500 HD 2007-01,  
GMC Sierra 2500 HD 2007-01

**DORMAN**<sup>®</sup>

# DRIVE SHAFT ASSEMBLIES

## HIGHLIGHTED COVERAGE

Part #	MATERIAL DESCRIPTION	APPLICATIONS	VIO
936-811	Rear Driveshaft	Ford Fusion 2012-07, Lincoln MKZ 2012-07, Mercury Milan 2011-07	1,378,987
936-003	Rear Driveshaft	Honda CR-V 2001-97	265,262
936-809	Rear Driveshaft	Ford F-150 2011-10, Ford Lobo 2011-10	409,913
936-001	Rear Driveshaft	Honda CR-V 2006-02	462,011
938-320	Front Driveshaft	Infiniti 2012-03	146,715
936-803	Rear Driveshaft	Ford F-150 2008-04, Ford Lobo 2008-07	634,660
936-013	Rear Driveshaft	Dodge 2009-07, Mercedes-Benz 2014-10	71,114
936-120	Rear Driveshaft	Chevrolet Equinox 2006-05, Pontiac Torrent 2006	147,468
936-947	Rear Driveshaft	Subaru Outback 2009-05	231,147
936-310	Front Driveshaft	BMW 2013-05	189,601
936-722	Rear Driveshaft	Lexus NX200t 2015, Lexus NX300h 2015, Toyota RAV4 2015-06	1,144,278
936-801	Rear Driveshaft	Ford F-150 2008-04, Ford Lobo 2008-06, Ford Lobo 2004	682,330
936-808	Rear Driveshaft	Ford F-150 2008-04, Ford F-150 Heritage 2004	1,076,172
946-236	Rear Driveshaft	Nissan Rogue 2015-08	588,847
936-332	Front Driveshaft	Mercedes-Benz E320 2003-98, Mercedes-Benz E430 2002-00	5,836
936-800	Rear Driveshaft	Ford F-150 2009-04, Ford Lobo 2010-04	454,481
936-210	Rear Driveshaft	Kia Sorento 2008-07	42,111
936-211	Rear Driveshaft	Kia Sorento 2006-03	80,713
936-700	Rear Driveshaft	Toyota Tacoma 2004-96	387,252
936-806	Rear Driveshaft	Ford F-150 2008-04, Ford Lobo 2008-04	833,805
936-121	Rear Driveshaft	Chevrolet Silverado 1500 2005-99, GMC Sierra 1500 2005-99	1,733,882
936-385	Rear Driveshaft	BMW X3 2006-04	51,633
936-331	Front Driveshaft	Mercedes-Benz E320 2005-04, Mercedes-Benz E350 2007-06	35,189
946-035	Rear Driveshaft	Chevrolet Equinox 2009-07, Pontiac Torrent 2009-07	103,158
936-007	Rear Driveshaft	Honda Element 2011-03	188,815

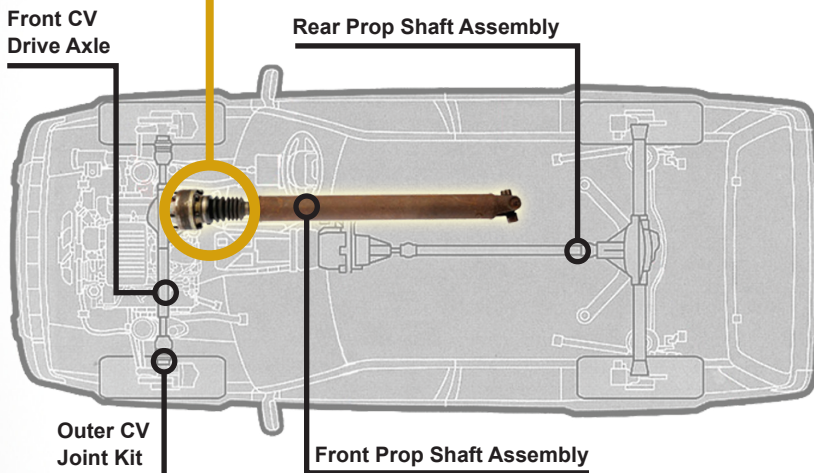
# PROP SHAFT CV JOINT KITS

## Expanded Coverage

**Dorman Offers 23 Prop Shaft CV Joint Repairs Kits Covering Over 23 Million Vehicles**



**932-306**  
Wrangler & Wrangler Unlimited  
2013-07



### Reduce Repair Cost

Replace Just the Failed CV Joint

- **Priced Well Below Complete Prop Shaft Assemblies**
- **Reduce Wait Time for Parts**  
No Need to Rebuild & Return the Complete Assembly
- **Kit Includes:** Joint, Boot, Clamps & Grease for a Complete Repair

### DORMAN'S NEWEST PROP SHAFT REPAIR KITS

DORMAN #	MAKE	MODEL	YEAR
932-207	Ford	Explorer, Mountaineer	2010-06
932-306	Jeep	Wrangler	2013-07
932-501	Volvo	S40, S60, V50, V70, XC70, XC90	2009-03
932-502	Volvo	S60, S70, S80, V70, XC90	2013-01
932-503	Volvo	S60, S80, V70, XC60, XC70	2013-07



# PROP SHAFT CV JOINT KITS

## Applications\*

DORMAN #	MODEL	YEAR
<b>BUICK</b>		
932-102	RAINIER	2007-04
<b>CHEVROLET</b>		
932-107	EQUINOX	2006-05
<b>CHEVROLET/GMC TRUCK</b>		
932-103	ASTRO, SAFARI	1998-92
932-105	COLORADO, CANYON	2010-04
932-101	S SERIES BLAZER, JIMMY	1997-95
932-103	S SERIES BLAZER, JIMMY	1997-95
932-101	S SERIES BLAZER, JIMMY	2005-98
932-102	S SERIES BLAZER, JIMMY	2005-98
932-101	S SERIES PICKUP, SONOMA	2004-94
932-102	S SERIES PICKUP, SONOMA	2004-94
932-102	TRAILBLAZER, ENVOY	2008-02
<b>DODGE TRUCK</b>		
932-303	DAKOTA	2006-01
932-303	DURANGO	2003-01
932-305	DURANGO	2006-04
932-305	RAM 1500 PICKUP	2006-02
<b>FORD</b>		
932-203	MUSTANG	2010-05
932-204	MUSTANG	2010-05
<b>FORD TRUCK</b>		
932-202	ESCAPE	2004-01
932-202	ESCAPE	2007-05
932-205	EXPEDITION	2011-07
932-206	EXPEDITION	2011-07
932-201	EXPLORER	2005-97
932-201	EXPLORER SPORT TRAC	2005-01
932-205	F150	2010-09
932-206	F150	2010-09
932-201	RANGER	2008-98
<b>HUMMER</b>		
932-105	H3	2010-06
<b>ISUZU TRUCK</b>		
932-102	ASCENDER	2008-03
932-101	HOMBRE	2000-98
932-105	I-350	2006
932-105	I-370	2008-07

DORMAN #	MODEL	YEAR
<b>JEEP</b>		
932-303	COMMANDER	2006
932-304	GRAND CHEROKEE	1998-93
932-301	GRAND CHEROKEE	2004-99
932-302	GRAND CHEROKEE	2004-99
932-303	GRAND CHEROKEE	2006-05
932-304	GRAND WAGONEER	1993
932-301	LIBERTY	2007-02
932-302	LIBERTY	2007-02
<b>LINCOLN</b>		
932-201	AVIATOR	2005-03
932-205	NAVIGATOR	2011-07
932-206	NAVIGATOR	2011-07
<b>MAZDA TRUCK</b>		
932-201	B SERIES PICKUP	2008-98
932-202	TRIBUTE	2006-01
<b>MERCURY</b>		
932-202	MARINER	2007-05
932-201	MOUNTAINEER	2005-98
<b>MINI TRUCK</b>		
932-303	RAIDER	2006
<b>OLDSMOBILE</b>		
932-103	BRAVADA	1997-91
932-102	BRAVADA	2004-98
<b>PONTIAC</b>		
932-103	6000	1990-89
932-108	SOLSTICE	2009-06
932-107	TORRENT	2006
<b>SAAB</b>		
932-102	9-7X	2007-05
<b>SATURN</b>		
932-108	SKY	2009-07
932-106	VUE	2007-02



NEW PRODUCTS • NEW SOLUTIONS • NEW OPPORTUNITIES

