

ATTENTION: Refer to the appropriate shop manual for your vehicle to obtain specific service procedures for this part. If you do not have a service manual or lack the skill to install this part, it is recommended that you seek the services of a qualified technician. Pay special attention to all cautions and warnings included in the shop manual. Read and follow all instructions carefully.

902-325

Dodge RAM 02-08 Re-Circ Door

Installation Instructions

Packing list:

- Metal blend door
- Metal duct tape

Tools required:

- Screw driver, pliers
- Socket wrench set
- Dremel® tool (with flexible extension)

1. Disconnect the negative terminal of the battery.
2. Remove the plastic covering over the glove box and lower portion of the center control panel.

Fig. 1

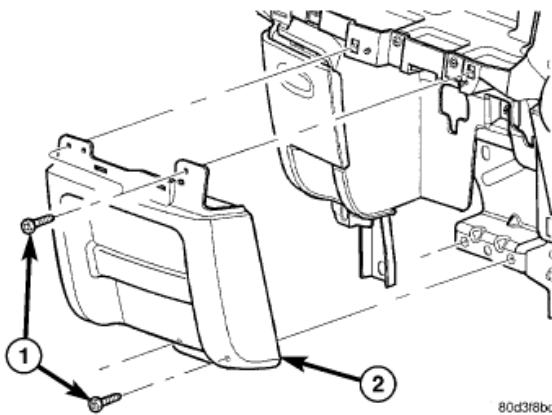
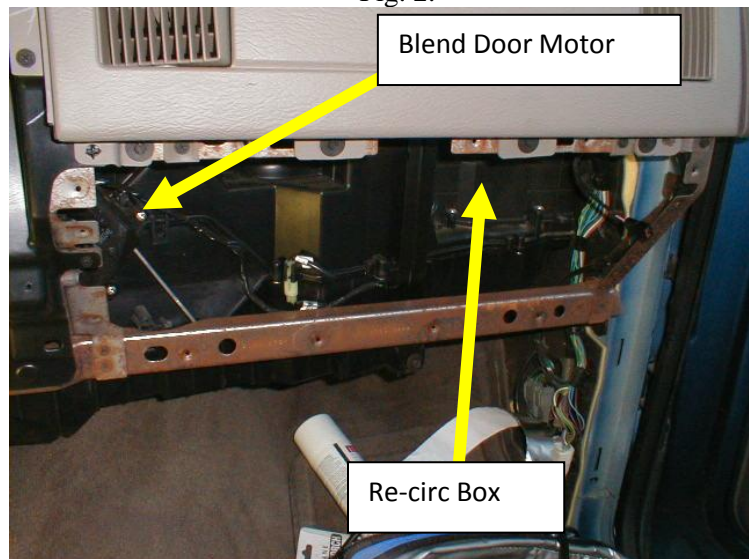


Fig. 21 STORAGE BIN

- 1 - SCREWS (4)
- 2 - STORAGE BIN

Fig. 2.



Disclaimer:

Even though every attempt is made to ensure this information is complete and accurate, it is impossible to account for all possible circumstances or situations. Please consult with a qualified auto technician before attempting to perform any work you are not qualified to do. Automobiles can be hazardous to work on; be sure to take all necessary safety precautions. Failure to do so may result in property damage or personal injury. Certain motor vehicle standards and performance requirements may apply to our motor vehicle (such as Federal Motor Vehicle Safety Standards by the National Highway Traffic Safety Administration). Be sure that your work is performed in accordance with such standards and that you do not disable any motor vehicle safety feature.

ATTENTION: Refer to the appropriate shop manual for your vehicle to obtain specific service procedures for this part. If you do not have a service manual or lack the skill to install this part, it is recommended that you seek the services of a qualified technician. Pay special attention to all cautions and warnings included in the shop manual. Read and follow all instructions carefully.

Fig. 3

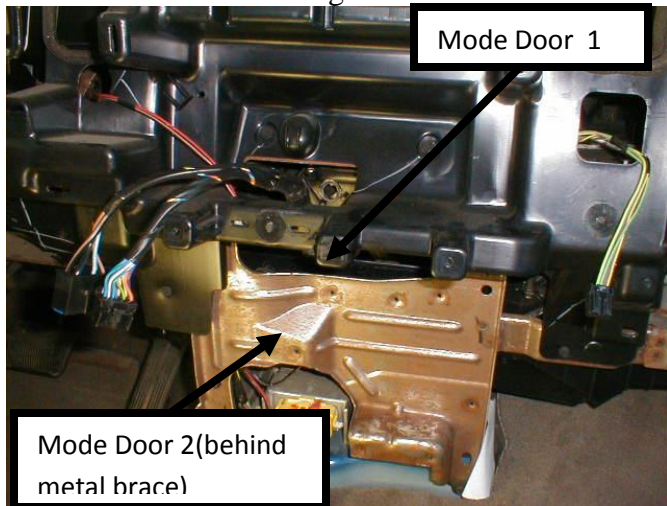


Fig 4b

Fig. 4a

3. The remainder of the instruction set will be divided into segments addressing each door assembly. Skip through sections that do not apply to your needs.

Disclaimer:

Even though every attempt is made to ensure this information is complete and accurate, it is impossible to account for all possible circumstances or situations. Please consult with a qualified auto technician before attempting to perform any work you are not qualified to do. Automobiles can be hazardous to work on; be sure to take all necessary safety precautions. Failure to do so may result in property damage or personal injury. Certain motor vehicle standards and performance requirements may apply to our motor vehicle (such as Federal Motor Vehicle Safety Standards by the National Highway Traffic Safety Administration). Be sure that your work is performed in accordance with such standards and that you do not disable any motor vehicle safety feature.

ATTENTION: Refer to the appropriate shop manual for your vehicle to obtain specific service procedures for this part. If you do not have a service manual or lack the skill to install this part, it is recommended that you seek the services of a qualified technician. Pay special attention to all cautions and warnings included in the shop manual. Read and follow all instructions carefully.

Re-circ Door

1. The re-circ door is much easier to replace if the dash panel is completely removed. If you have to remove the dash to replace the heater core or evaporator core, we would suggest replacing the re-circ door while the dash is apart. Using The Dorman metal components will insure that the fix will be permanent instead of replacing the cheap plastic components with more cheap plastic components.
2. Fig. 14 shows the re-circ box installed in the RAM. The motor is on the left of the box and can be seen in the picture. It is challenging to remove the screws holding the motor in place and a flexible cable extension on your socket set will make it a little easier.



Fig. 14

3. Remove the actuator motor and plastic axle insert.
4. Cut the grate covering the front of the re-circ box to access the re-circ door.
5. Fig. 14 shows the re-circ box assembly after the cut and the proper position for inserting the new door. Place the door in position and insert the axle from the outside of the box.

Disclaimer:

Even though every attempt is made to ensure this information is complete and accurate, it is impossible to account for all possible circumstances or situations. Please consult with a qualified auto technician before attempting to perform any work you are not qualified to do. Automobiles can be hazardous to work on; be sure to take all necessary safety precautions. Failure to do so may result in property damage or personal injury. Certain motor vehicle standards and performance requirements may apply to our motor vehicle (such as Federal Motor Vehicle Safety Standards by the National Highway Traffic Safety Administration). Be sure that your work is performed in accordance with such standards and that you do not disable any motor vehicle safety feature.

ATTENTION: Refer to the appropriate shop manual for your vehicle to obtain specific service procedures for this part. If you do not have a service manual or lack the skill to install this part, it is recommended that you seek the services of a qualified technician. Pay special attention to all cautions and warnings included in the shop manual. Read and follow all instructions carefully.



Fig. 15

- 6. Replace the motor on the side of the box, checking that it properly mates with the axle.**

Disclaimer:

Even though every attempt is made to ensure this information is complete and accurate, it is impossible to account for all possible circumstances or situations. Please consult with a qualified auto technician before attempting to perform any work you are not qualified to do. Automobiles can be hazardous to work on; be sure to take all necessary safety precautions. Failure to do so may result in property damage or personal injury. Certain motor vehicle standards and performance requirements may apply to our motor vehicle (such as Federal Motor Vehicle Safety Standards by the National Highway Traffic Safety Administration). Be sure that your work is performed in accordance with such standards and that you do not disable any motor vehicle safety feature.