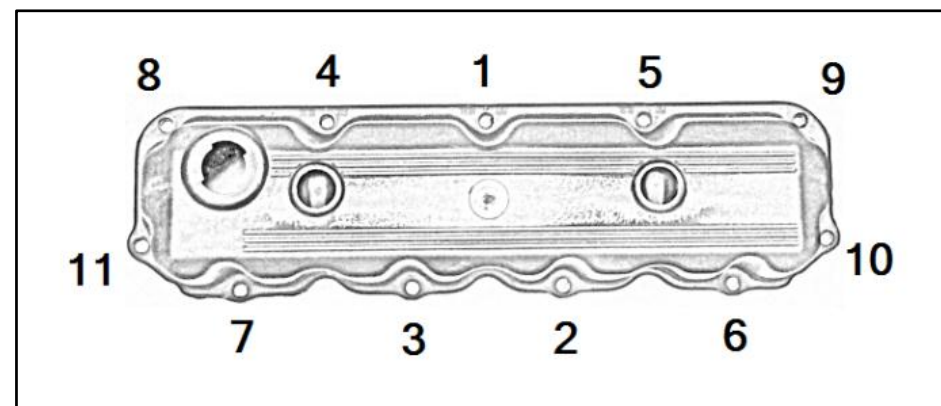


Install Valve Cover and install bolts for mounting locations 8, 9, 10, & 11. Finger start only and DO NOT TIGHTEN at this time.

Proceed to install bolts to factory specified pattern sequence and torque specifications.

Do not over tighten bolts as this can cause damage to the valve cover.



DORMAN LIMITED LIFETIME WARRANTY

At Dorman, we take pride in the quality of our products, and your satisfaction with their performance. Thus, Dorman warrants its products to be free from defects in material and workmanship under normal use and service. As your exclusive remedy, Dorman will replace free of charge any Dorman product that in Dorman's reasonable determination does not comply with the foregoing warranty. This warranty is voided by non-recommended use, improper installation, or physical damage. In addition, Dorman will not be liable for any incidental or consequential damages and your exclusive remedy shall be replacement of the product that did not comply with this limited warranty.