

Premium RD™

Rugged Design Chassis Parts

DORMAN

PREMIUM CHASSIS

ALL-OUT PERFORMANCE. ALL FOR TRUCKS.



DORMAN®

Premium RD™

Rugged Design Chassis Parts

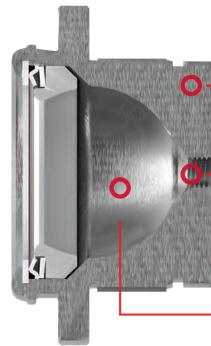
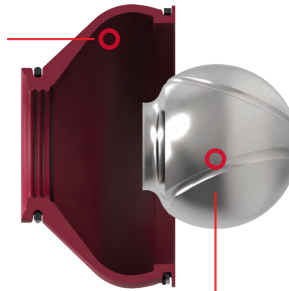
PUT MORE TRUCK UNDER YOUR TRUCK

You love that truck. You love pushing it to the extreme, too. That's why you need Dorman performance under it. Dorman Premium RD steering and suspension parts are expertly engineered. The RD name says it all—rugged, more durable, made to handle anything and everything you ask your truck to do. Dorman Premium RD is all-out strength, durability and performance, all for trucks.



SEALS OUT CONTAMINATION

Performance-rated boot is tested for years of reliable service



CORROSION RESISTANCE

WeatherShield™ coating provides superior corrosion protection in harsh conditions

ENHANCED LUBRICATION, EVEN IN EXTREME TEMPERATURES

I.C.E.™ grease extends maintenance-free service life

METAL-ON-METAL DURABILITY FOR SEVERE DUTY

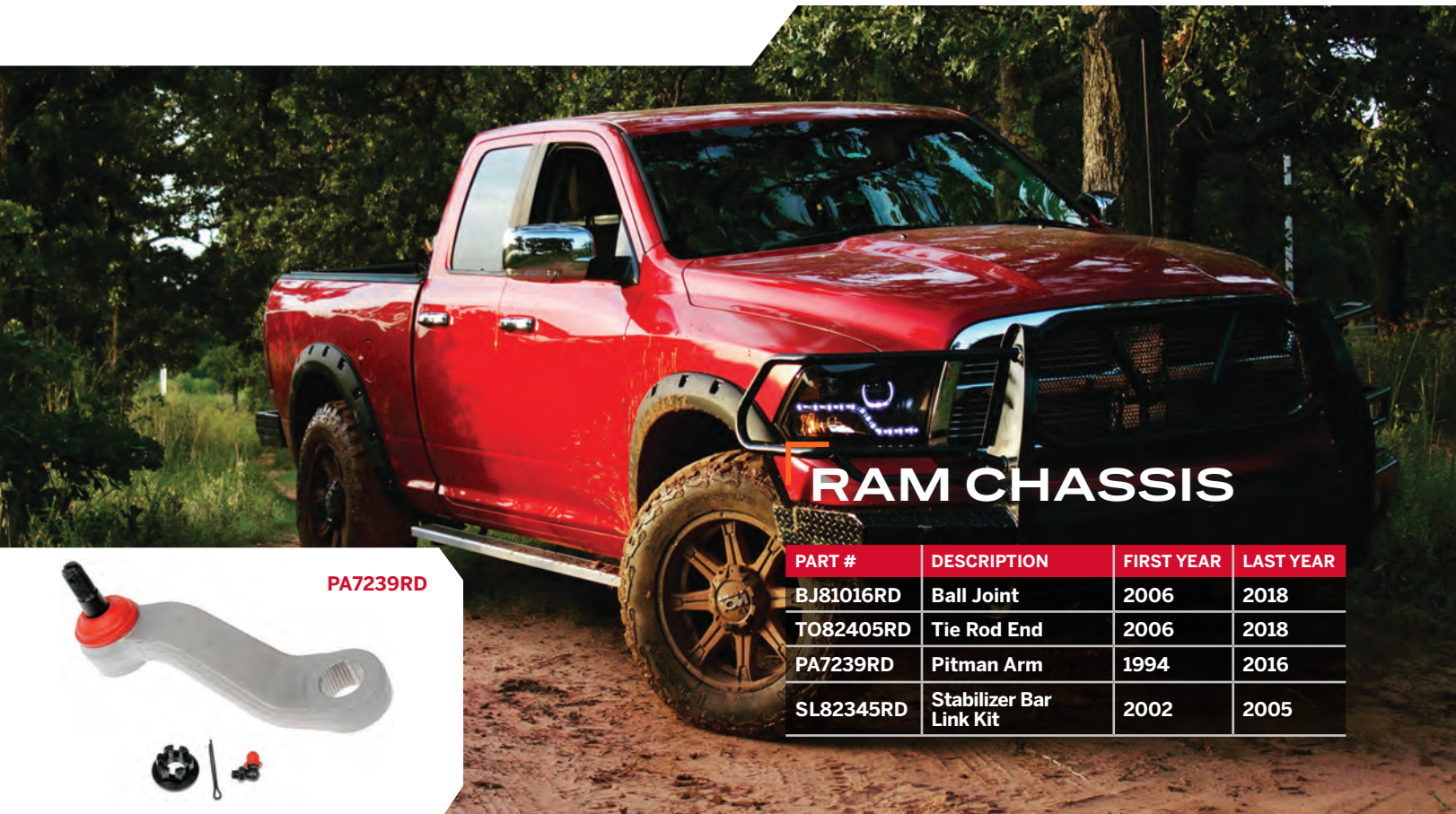
IntegraFit™ integrated bearing design

INCREASED DURABILITY

ArmourGrade™ studs are induction-hardened and coated to reduce fatigue and corrosion on hard-working vehicles

GREATER RELIABILITY AND LONGEVITY

A larger, high-polish ball distributes load over a wider area



RAM CHASSIS



PA7239RD

PART #	DESCRIPTION	FIRST YEAR	LAST YEAR
BJ81016RD	Ball Joint	2006	2018
T082405RD	Tie Rod End	2006	2018
PA7239RD	Pitman Arm	1994	2016
SL82345RD	Stabilizer Bar Link Kit	2002	2005

FORD CHASSIS

PART #	DESCRIPTION	FIRST YEAR	LAST YEAR
B80028RD	Ball Joint	1999	2018
TO85032RD	Tie Rod End	2005	2018
SL85082RD	Stabilizer Bar Link Kit	2000	2005

B80028RD



GM CHASSIS

PART #	DESCRIPTION	FIRST YEAR	LAST YEAR
B6696RD	Ball Joint	1999	2018
IA6534RD	Idler Arm	1999	2018
IB90086RD	Idler Arm Bracket Assembly	1999	2018
SL90510RD	Stabilizer Bar Link Kit	2000	2018
T3488RD	Tie Rod End	1999	2018
PA6536RD	Pitman Arm	1999	2008

IB90086RD



JEEP CHASSIS

PART #	DESCRIPTION	FIRST YEAR	LAST YEAR
B3134RD	Ball Joint	1984	2018
TI96031RD	Tie Rod End	2007	2018
SL96155RD	Stabilizer Bar Link Kit	1997	2006

SL96155RD



MANAGE A FLEET?

Dorman Premium RD chassis parts deliver reliable performance for hard-working fleet and commercial trucks, too. Dorman Premium RD parts endure tough abuse in trucks that regularly tow or carry heavy loads or log big miles.

CHEVROLET/GMC - Express/Savana 2500/3500/4500

PART #	DESCRIPTION	FIRST YEAR	LAST YEAR
B6696RD	Ball Joint	2008	2018
SL92035RD	Stabilizer Link	2008	2018
TO92435RD	Tie Rod End	2008	2018
IA6534RD	Idler Arm	2008	2018
IB90086RD	Idler Arm Bracket	2008	2018
PA6536RD	Pitman Arm	2008	2018

DODGE

PART #	DESCRIPTION	FIRST YEAR	LAST YEAR
BJ90025RD	Ball Joint	2008	2018

FORD

PART #	DESCRIPTION	FIRST YEAR	LAST YEAR
BJ86365RD	Ball Joint	1992	2021
TO85031RD	Tie Rod	2005	2018
SL21035RD	Stabilizer Link Kit	2010	2013

CHEVY

PART #	DESCRIPTION	FIRST YEAR	LAST YEAR
SL92255RD	Stabilizer Link Kit	2015	2019
T3488RD	Tie Rod	2008	2018
B6696RD	Ball Joint	2008	2018
IB90086RD	Idler Arm Bracket	1999	2018

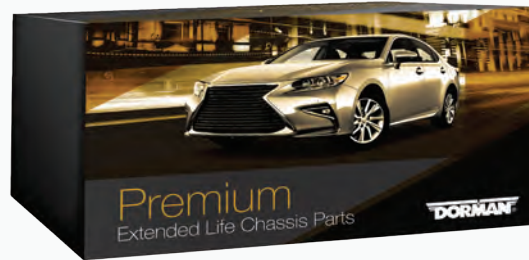
For a full listing of Dorman Chassis parts and their related application notes, please visit www.dormanproducts.com.

APPLICATION CERTIFIED ENGINEERING

By viewing every premium part as a unique project, our Application Certified Engineering (ACE) process results in engineering, materials and production decisions that are focused on making each individual part stronger and more durable and efficient.

MORE CHASSIS SOLUTIONS FROM DORMAN

Turn to Dorman for all the steering and suspension parts you need, including our Premium Extended Life (XL) products that deliver reliable, like-new performance for non-fleet vehicles driven every day.



DORMAN PREMIUM RD RUGGED DESIGN CHASSIS PARTS

Premium RD™
Rugged Design Chassis Parts



RUGGED DESIGN

Chassis components designed for hard working trucks, SUVs and fleet applications

Built for the trucks, SUVs and fleet applications that tow, carry pull and demand more

Specially designed to hold up under the toughest abuse

Fully serviceable and greasable designs deliver dependable durability under heavy loads, with regular grease maintenance

We optimize every component

PREMIUM ADVANTAGES

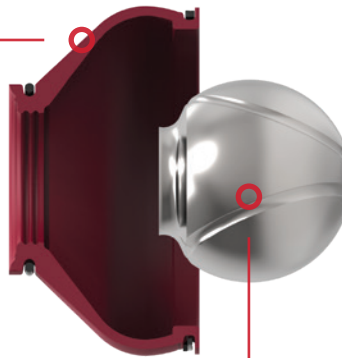
PERFORMANCE-RATED BOOT

Tested to ensure prevention from contaminants



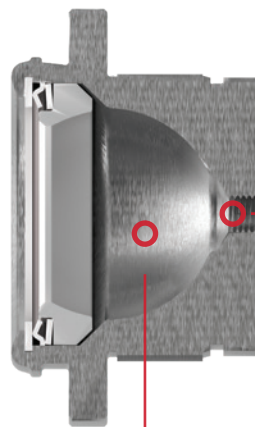
EXCLUSIVE PREMIUM ARMOURGRADE™ STUDS

ArmourGrade coating provides corrosion resistance against harsh environments



EXCLUSIVE PREMIUM LARGER HIGH-POLISH BALL

A larger ball surface distributes the load over a wider area, increasing durability and longevity under severe conditions



EXCLUSIVE PREMIUM I.C.E.™ GREASE

High-quality lithium-based grease delivers better lubrication characteristics than conventional aftermarket grease under a wider range of operating temperatures

EXCLUSIVE PREMIUM INTEGRAFIT™ INTEGRATED BEARING DESIGN

An exclusive premium hardening process allows us to eliminate the separate bearing and use a larger premium ball



Learn more about performance steering parts we have.