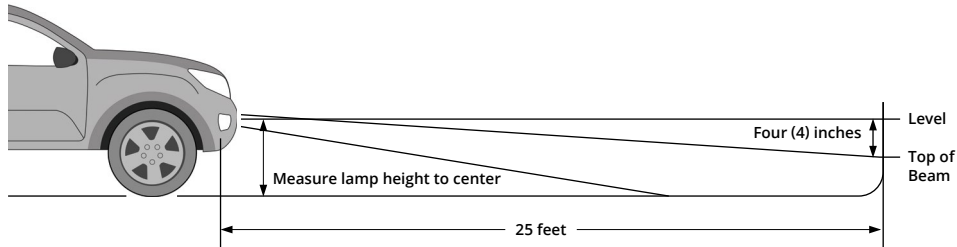


12. Aim your SS3 pods on each side, so that the top of the beam pattern is on the cutoff line mark.

13. Tighten the 5/32" allen bolts back down.



This installation guide is for the following SKUs:

DD6184 Worklight SS3 Sport Type B Kit White SAE Driving
DD6185 Worklight SS3 Sport Type B Kit White SAE Fog
DD6187 Worklight SS3 Sport Type B Kit Yellow SAE Fog
DD6188 Worklight SS3 Pro Type B Kit White SAE Driving

DD6189 Worklight SS3 Pro Type B Kit White SAE Fog
DD6191 Worklight SS3 Pro Type B Kit Yellow SAE Fog
DD6686 Worklight SS3 Max Type B Kit White SAE Fog
DD6687 Worklight SS3 Max Type B Kit Yellow SAE Fog

**100% SATISFACTION
 GUARANTEE**

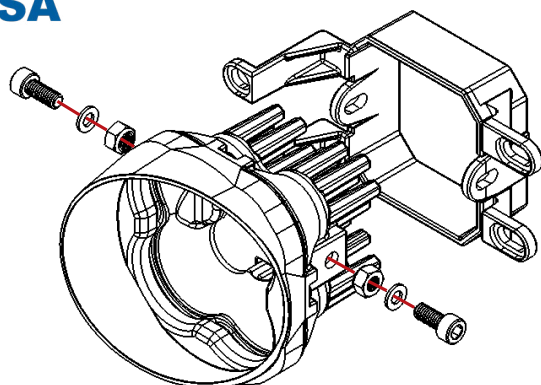
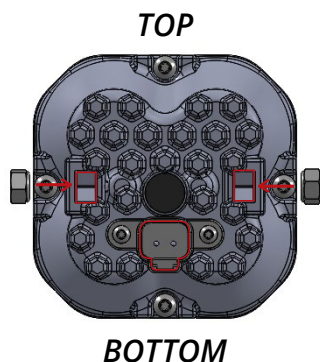


Thank you for your purchase of our new SS3 Type B Foglight Kit. CAD-designed to use existing mounting points, this kit is compatible with the Toyota Tundra, Tacoma, 4Runner, Corolla, and more. Basic installation instructions are included below.

Please contact us if you have any questions.

COMPUTER DESIGNED
OEM FITMENT

ASSEMBLED IN
USA



Driver / Left Side (opposite for passenger/right side)

1. Attach the bracket to the pod. See the diagrams above. Make sure the bracket is in the correct orientation, and the lamp angle matches the bracket. The side of the vehicle is indicated on the back of the bracket.
2. Access your factory fog lights, by reaching down near the headlight or by removing fender liner.
3. Disconnect the fog light connector from the vehicle wiring harness. Remove the factory fog light housing. The factory hardware will be reused.
4. Install your new SS3 pod using the factory hardware. The tabs and holes on the bracket should align with the mounting points of the factory fog light housing. Re-use the factory hardware, tightening securely.
5. Use the included wire adapters to connect the pod to the vehicle wiring harness. Test function. If the light does not turn on, try flipping the connector 180°.
6. Repeat the steps on the other side of the vehicle.

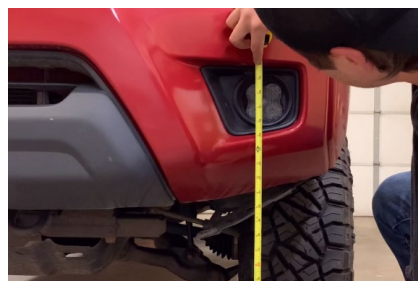
Aiming Instructions



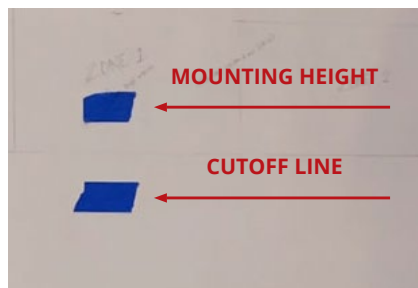
7. Park your vehicle 25 feet away from a wall or garage door on a level surface.



8. Loosen the 5/32" allen bolts on each side of your SS3 pod, just enough to allow you to adjust the pod.



9. On your vehicle, measure the distance between the ground and the center of your SS3 pod. This is your mounting height.



10. Mark the mounting height on the wall or garage door using tape.

11. Add another piece of tape four inches below the mounting height. This is your fog light cutoff line.

See back for further instructions.