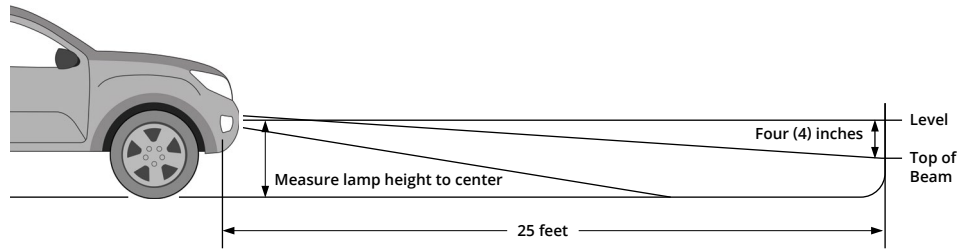


Aiming Instructions

PP0170B

7. Park your vehicle 25 feet away from a wall or garage door on a level surface.
8. Loosen the 5/32" allen bolts on each side of your SS3 pod, just enough to allow you to adjust the pod.
9. On your vehicle, measure the distance between the ground and the center of your SS3 pod. This is your mounting height.
10. Mark the mounting height on the wall or garage door using tape.
11. Add another piece of tape four inches below the mounting height. This is your fog light cutoff line.
12. Aim your SS3 pods on each side, so that the top of the beam pattern is on the cutoff line mark.
13. Tighten the 5/32" allen bolts back down to complete the installation. Do not overtighten or use power tools to torque them down.



This installation guide is for the following SKUs:

DD6829 Worklight SS3 Sport Type SV2 Kit White SAE Driving
DD6830 Worklight SS3 Sport Type SV2 Kit White SAE Fog
DD6831 Worklight SS3 Sport Type SV2 Kit Yellow SAE Fog
DD6832 Worklight SS3 Pro Type SV2 Kit White SAE Driving

DD6833 Worklight SS3 Pro Type SV2 Kit White SAE Fog
DD6834 Worklight SS3 Pro Type SV2 Kit Yellow SAE Fog
DD6835 Worklight SS3 Max Type SV2 Kit White SAE Fog
DD6836 Worklight SS3 Max Type SV2 Kit Yellow SAE Fog

STAGE
SERIES
RALLY-QUALIFIED LED LIGHTING

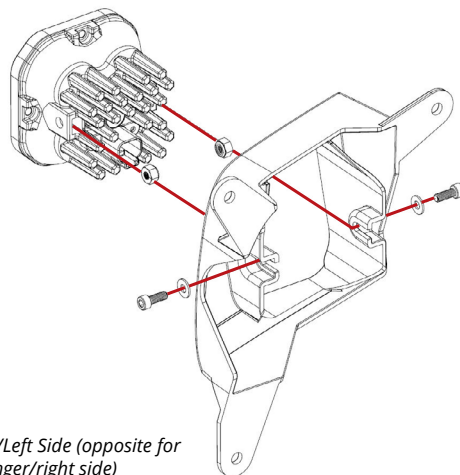
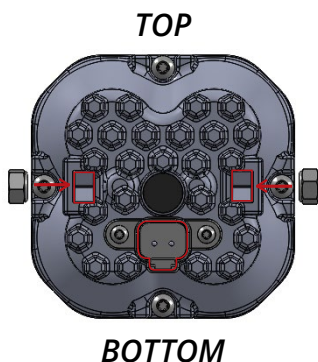
SS₃ 3" LED Pod
Type SV2 Foglight Kit



DIODE DYNAMICS
PERFORMANCE LIGHTING TECHNOLOGY

Thank you for your purchase of our new SS3 Type SV2 Foglight Kit. CAD-designed to use existing mounting points, this kit is compatible with the 2019-2021 Chevy Silverado 1500 and the 2020-2021 Chevy Silverado HD 2500/3500. Installation instructions are included below.

COMPUTER DESIGNED
OEM FITMENT
ASSEMBLED IN
USA



Driver/Left Side (opposite for passenger/right side)



1. Install the supplied nuts into the pod housing with the nylon facing inward. Attach the bracket to the pod using the supplied screws and washers. Make sure the bracket is in the correct orientation. See diagrams above. Ensure that the screws are tightened such that the pod retains its position, but can pivot with force for aiming.



2. Access your factory fog lights. Unplug the fog lamp connector and free the harness from the retaining clip using a flathead screwdriver.



3. Use a 7mm socket and ratchet to remove the three bolts holding the factory fog light housing in place, as shown in the picture to the left. Remove the factory fog light housing. The factory bolts will be reused.



4. Install your assembled bracket and pod onto the vehicle by securing the three original bolts with a 7mm socket and ratchet.



5. Plug the SS3 into the factory fog light harness using the included DT wire adapter. Test function. If the light does not turn on, try flipping the connector 180°. Install the retaining clip from the factory harness into the back of your new bracket.



6. Repeat the steps on the other side of the vehicle.

See back for aiming instructions.