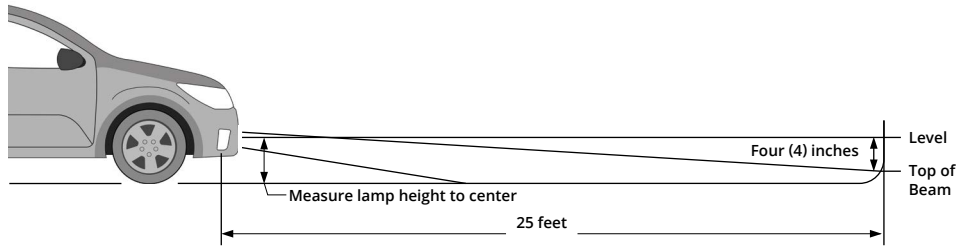


7. Park your vehicle 25 feet away from a wall or garage door on a level surface.
8. Loosen the 5/32" allen bolts on each side of your SS3 pod, just enough to allow you to adjust the pod.
9. On your vehicle, measure the distance between the ground and the center of your SS3 pod. This is your mounting height.
10. Mark the mounting height on the wall or garage door using tape.
11. Add another piece of tape four inches below the mounting height. This is your fog light cutoff line.
12. Aim your SS3 pods on each side, so that the top of the beam pattern is on the cutoff line mark.
13. Tighten the 5/32" allen bolts back down to complete the installation. Do not overtighten or use power tools to torque them down.



This installation guide is for the following SKUs:

SS3 Sport Type CGX Kit White SAE Driving (**DD6737** W/O BL, **DD7196** ABL)
 SS3 Sport Type CGX Kit White SAE Fog (**DD6738** W/O BL, **DD7197** ABL)
 SS3 Sport Type CGX Kit Yellow SAE Fog (**DD6739** W/O BL, **DD7198** ABL)
 SS3 Pro Type CGX Kit White SAE Driving (**DD6740** W/O BL, **DD7199** ABL)

SS3 Pro Type CGX Kit White SAE Fog (**DD6741** W/O BL, **DD7200** ABL)
 SS3 Pro Type CGX Kit Yellow SAE Fog (**DD6742** W/O BL, **DD7201** ABL)
 SS3 Max Type CGX Kit White SAE Fog (**DD6743** W/O BL, **DD7202** ABL)
 SS3 Max Type CGX Kit Yellow SAE Fog (**DD6744** W/O BL, **DD7203** ABL)

STAGE
SERIES
 RALLY-QUALIFIED LED LIGHTING

SS₃ 3" LED Pod

Type CGX Foglight Kit

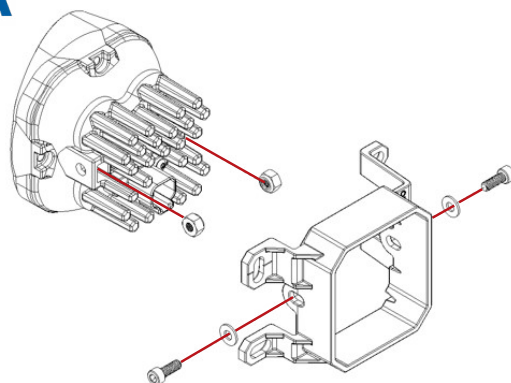
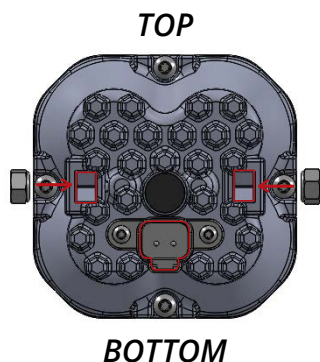
DIODE DYNAMICS
 PERFORMANCE LIGHTING TECHNOLOGY



Thank you for your purchase of our new SS3 Type CGX Foglight Kit. CAD-designed to use existing mounting points, this kit is compatible with many Toyota and Lexus models. Basic installation instructions are included below.

COMPUTER DESIGNED
OEM FITMENT

ASSEMBLED IN
USA



Driver/Left Side (opposite for passenger/right side)



1. Install the supplied nuts into the pod housing with the nylon facing inward. Attach the bracket to the pod using the supplied screws and washers. Make sure the bracket is in the correct orientation. See diagrams above. Ensure that the screws are tightened such that the pod retains its position, but can pivot with force for aiming.

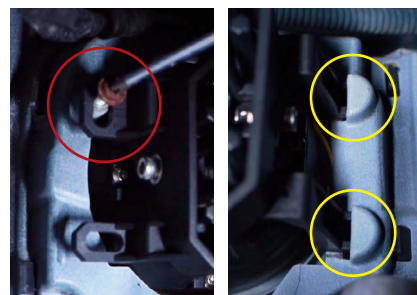


2. Turn the wheel outward to gain access to the back of the bumper. Remove the screws or clips securing the fender liner to the bumper. Gently peel back the fender liner and unplug the factory fog light connector.



3. Using a Phillips head screwdriver, remove the screws securing the factory fog light housing to the back of the bumper. Remove the factory fog light housing.

The factory screws will be reused.



4. Install your assembled bracket and pod onto the vehicle by securing the factory screws with a Phillips head screwdriver.

LEXUS GX460 VEHICLES: While installing the lamp, flex the left side tabs outward to insert them into the mounting pockets (shown in yellow in picture to the left). Use the top portion of the slot on the bracket to secure the factory screw (shown in red in picture to the left).



TOYOTA VEHICLES: While installing the lamp, flex the left side tabs outward to insert them into the mounting pockets. Use the bottom portion of the slot on the bracket to secure the factory screw (shown in red in picture to the left).

5. Use the included wire adapters to connect the pod to the vehicle wiring harness. Test function. If the light does not turn on, try flipping the connector 180°.

If you purchased backlit SS3 pods, connect the backlight power wire to a fused 12V source to trigger the backlight feature (i.e. parking light or sidemarkers); T-Taps are included for this purpose. Check local laws and regulations for on-road use of backlight feature.

NOTE: Power source must be fused. Do not connect directly to vehicle battery.

6. Repeat the steps on the other side of the vehicle.

See back for aiming instructions.

Learn more about off-road lights on our website.