

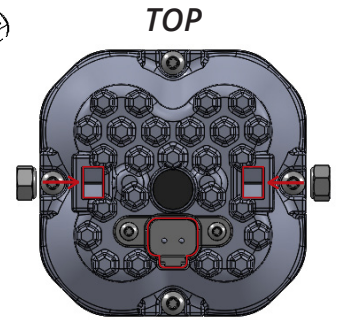
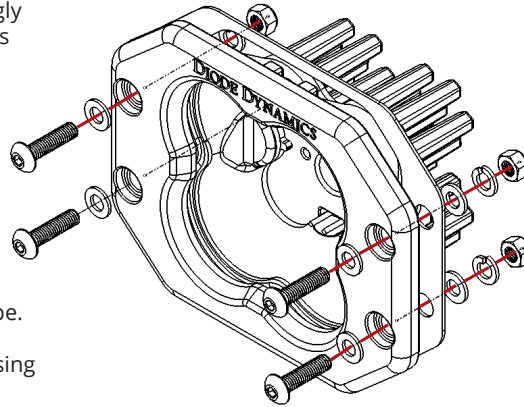
Flush Mount Bracket Kit

Thank you for your purchase of our new SS3 Flush Mount Bracket Kit. Using standard Deutsch DT style connectors, this kit allows for flush installation with truck bumpers, truck beds, and anywhere else you can think of. Basic installation instructions are included below.

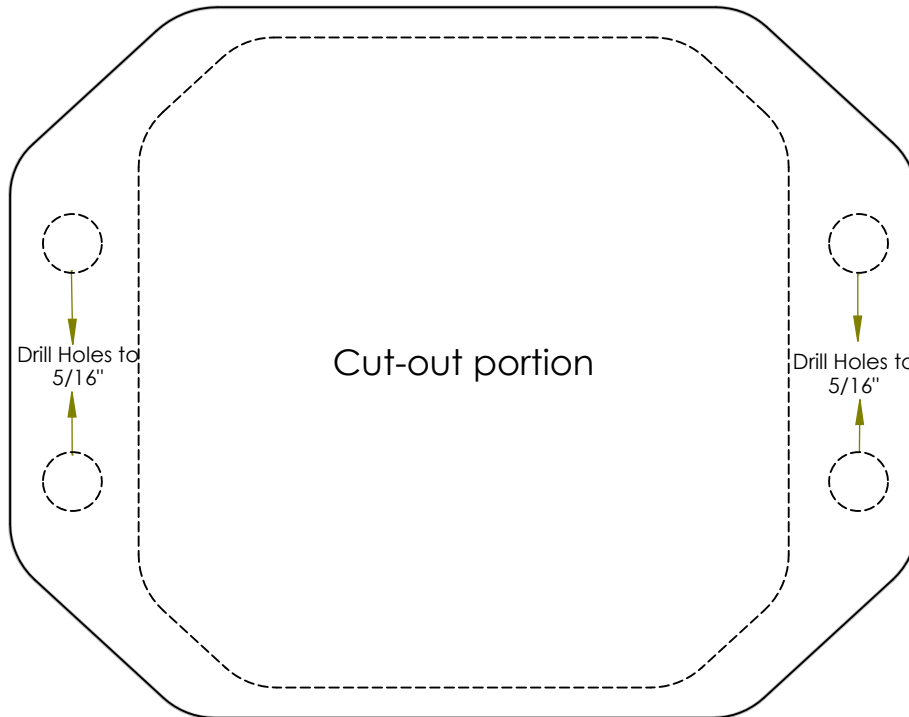


Please note: Professional installation is strongly recommended. Please contact Diode Dynamics if you need assistance locating an installer.

1. Cut out only the dotted lines including the four outside holes on the drilling template below.
2. Ensure your mounting surface is flat and allows for $3^{3/16}$ " x $3^{3/16}$ " of depth. Also ensure your surface allows enough room for the depth of the pod.
3. Attach the template to your mounting surface using tape.
4. Mark the four drill holes and center area of template using a marker.
5. Remove your template and double check your markings by placing the included gasket over the area. Adjust the markings accordingly.
6. After you ensure proper alignment, cut through the markings using pneumatic tools.
7. File down any rough edges and excess trimmings to allow the pod to fit inside the hole you just created.
8. Attach the gasket to the backside of the bracket.
9. Secure the bracket using the included hardware. See diagram above.



BOTTOM



If printing make sure scale is set to 100%