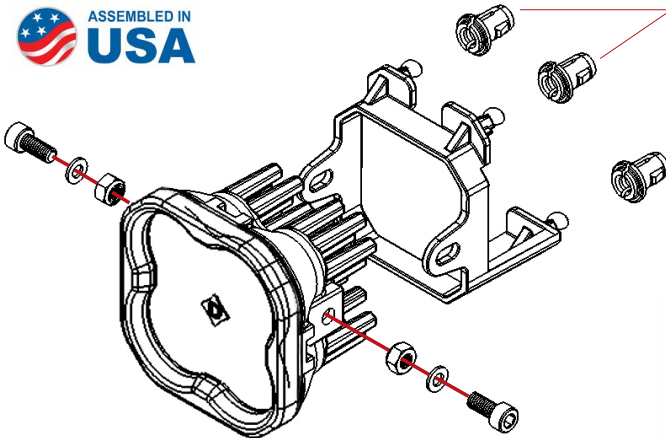




Thank you for your purchase of our new SS3 Type GM Foglight Kit. CAD-designed to use existing mounting points, this kit is compatible with many Chevy, GMC, Ford, and Pontiac models. Basic installation instructions are included below. **Please contact us if you have any questions.**

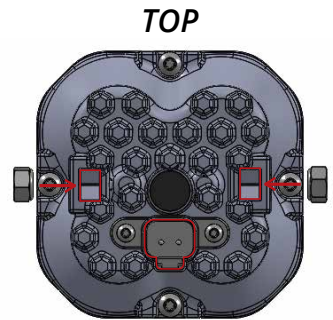


**Factory Fog Lamp Assembly
Retainer Clips**

COMPUTER DESIGNED
OEM FITMENT

Left and Right Sides

1. Attach the bracket to the pod, using one screw on each side. These screws will also determine the aim of your SS3 pods. Adjust the angle of the light in the bracket, then tighten down these screws. See diagrams above and to the right. Make sure the bracket is in the correct orientation.



BOTTOM

See back for further instructions.

2. Remove the fog light bezel from the bumper, by applying pressure on the tabs holding it in place. Pull toward the front of the vehicle to remove.
3. Remove the factory fog light housing. Pinch the three retainer clips while pulling the lamp toward the front of the vehicle. The retainer clips will be reused.
4. Reinstall the factory fog light bezel, by aligning the tabs and clipping it back into the bumper.
5. Remove the retainer clips from the factory fog light. Pry them gently off the foglight housing. Install them on your new SS3 mounting bracket.
6. Install your new SS3 pod by pushing directly into place. Be sure all three retainer clips seat fully, and are aligned correctly.
7. Adjust and aim the fog light according to your local and state laws. To adjust, loosen the screws on the sides of the bracket, aim, and re-tighten. In general, fog lamps should be angled slightly downwards to illuminate the area directly in front of the vehicle, below your headlamps.
8. If desired, install the included snap-on cover to your SS3. Simply snap the cover onto the front bezel of the pod. Two different styles are included. One set won't be used.

This installation guide is for the following SKUs:

DD6221 Worklight SS3 Sport Type GM Kit White SAE Driving
DD6222 Worklight SS3 Sport Type GM Kit White SAE Fog
DD6224 Worklight SS3 Sport Type GM Kit Yellow SAE Fog
DD6225 Worklight SS3 Pro Type GM Kit White SAE Driving

DD6226 Worklight SS3 Pro Type GM Kit White SAE Fog
DD6228 Worklight SS3 Pro Type GM Kit Yellow SAE Fog
DD6690 Worklight SS3 Max Type GM Kit White SAE Fog
DD6691 Worklight SS3 Max Type GM Kit Yellow SAE Fog