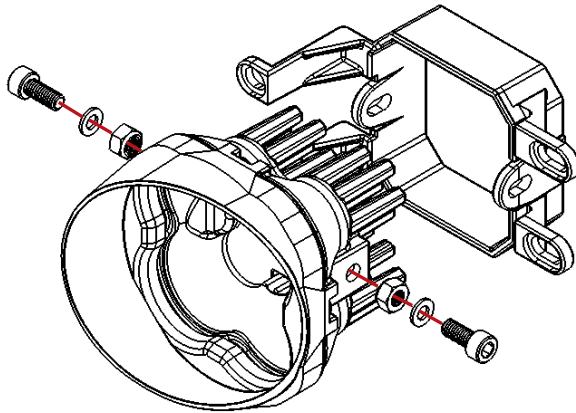




Thank you for your purchase of our new SS3 Type B Foglight Kit. CAD-designed to use existing mounting points, this kit is compatible with the Toyota Tundra, Tacoma, 4Runner, Corolla, and more. Basic installation instructions are included below.

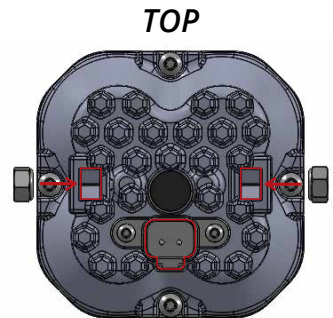
**Please contact us if you have any questions.**



*Driver/Left Side (opposite for passenger/right side)*

1. Attach the bracket to the pod. See the diagrams above and to the right. Make sure the bracket is in the correct orientation, and the lamp angle matches the bracket. The side of the vehicle is indicated on the back of the bracket.

COMPUTER DESIGNED  
**OEM FITMENT**



**TOP**

**BOTTOM**

*See back for further instructions.*

2. Access your factory fog lights, by reaching down near the headlight or by removing fender liner.
3. Disconnect the fog light connector from the vehicle wiring harness.
4. Remove the factory fog light housing. The factory hardware will be reused.
5. Install your new SS3 pod using the factory hardware. The tabs and holes on the bracket should align with the mounting points of the factory fog light housing. Re-use the factory hardware, tightening securely.
6. Use the included wire adapters to connect the pod to the vehicle wiring harness.
7. Test function. If the light does not turn on, try flipping the connector 180°.
8. Adjust and aim the fog light according to your local and state laws using the screws on the side of the bracket. In general, fog lamps should be angled slightly downwards to illuminate the area directly in front of your vehicle.

**This installation guide is for the following SKUs:**

**DD6184** Worklight SS3 Sport Type B Kit White SAE Driving

**DD6185** Worklight SS3 Sport Type B Kit White SAE Fog

**DD6187** Worklight SS3 Sport Type B Kit Yellow SAE Fog

**DD6188** Worklight SS3 Pro Type B Kit White SAE Driving

**DD6189** Worklight SS3 Pro Type B Kit White SAE Fog

**DD6191** Worklight SS3 Pro Type B Kit Yellow SAE Fog

**DD6686** Worklight SS3 Max Type B Kit White SAE Fog

**DD6687** Worklight SS3 Max Type B Kit Yellow SAE Fog