

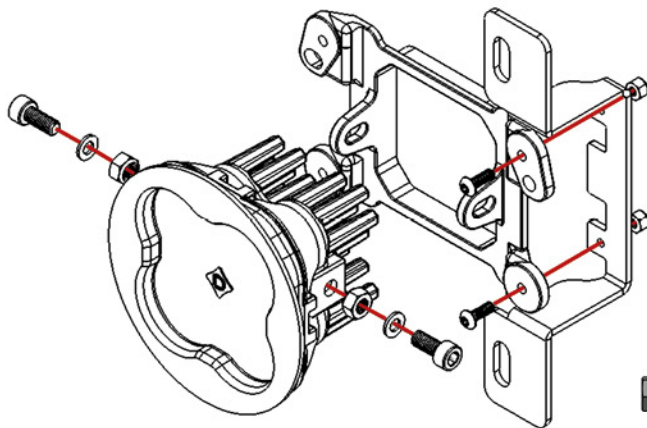
Type MR Foglight Brackets



Thank you for your purchase of our new SS3 Type MR Foglight Brackets. CAD-designed to use existing mounting points, this kit allows you to mount Diode Dynamics SS3 LED Pods in the factory foglamp location on JK and JL Jeep Wranglers with factory-installed steel bumpers.

PLEASE NOTE: The **Type MR** steel brackets in this kit must be attached to **Type M** plastic brackets, and together form the **Type MR Kit**. Depending on your purchase, you may also have the base Type M brackets in your package. Please contact your retailer with any questions.

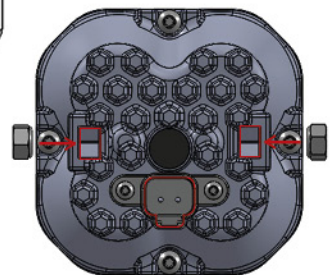
Instructions are shown below for installation of both the base Type M bracket, and the additional Type MR steel brackets.



COMPUTER DESIGNED
OEM FITMENT



TOP



BOTTOM

Passenger/Right Side (opposite for driver/left side)

1. Using the larger hardware included, attach the main plastic bracket to the pod. Make sure the bracket is in the correct orientation.

See back for further instructions.

2. Next, using the smaller hardware, attach a steel bracket to the side of the plastic bracket. Attach the other steel bracket to the opposite side of the other pod. When you are finished, you should have two pods assembled: one with the steel bracket on the right side, and the other with a steel bracket on the left side.
3. Turn the wheel to one side to access the factory fog lamp. Disconnect the fog light connector.
4. Remove the factory fog light housing. The factory hardware will be reused.
5. Install your new SS3 pod using the factory hardware. The tabs and holes on the bracket should align with the mounting points of the factory fog light housing. Re-use the factory hardware, tightening securely.
6. Use the included wire adapters to connect the pod to the vehicle wiring harness.
7. Test function. If the light does not turn on, try flipping the connector 180°.
8. Adjust and aim the fog light according to your local and state laws using the screws on the side of the bracket. In general, fog lamps should be angled slightly downwards to illuminate the area directly in front of your vehicle.

This installation guide is for the following SKUs:

DD6245 Worklight SS3 Sport Type MR Kit White Driving

DD6246 Worklight SS3 Sport Type MR Kit White Fog

DD6248 Worklight SS3 Sport Type MR Kit Yellow Fog

DD6249 Worklight SS3 Pro Type MR Kit White Driving

DD6250 Worklight SS3 Pro Type MR Kit White Fog

DD6252 Worklight SS3 Pro Type MR Kit Yellow Fog