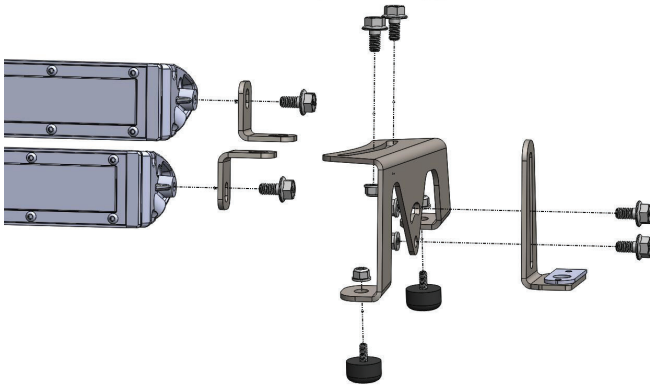


# Motorsports Brackets Installation Guide



1. Assemble the brackets and attach the light bars as shown in the diagram above. Identify where you would like to mount your brackets on the hood. We recommend doing this with the hood on the vehicle and then removing the hood from the vehicle to attach the brackets.

2. Drill a pilot hole through the hood using a 9/64 drill bit. Then drill through the pilot hole using an 11/64 drill bit.

3. Install the mounting hardware in the hole you just created. Reference the image to the right. Secure the hardware using a 3/32" hex key and 11/32" socket. **DO NOT OVERTIGHTEN** as you can dent the hood.

4. Mount the brackets to the hood. To secure latch, apply downward pressure on the bracket and slide the latch forward.

5. Adjust the height of the brackets so all the bumpers are touching the hood and adjust the light bars to your desired angle. Wire up your light bars and test thoroughly to complete the installation.



**This installation guide is for the following SKU:**

- DD6076 Motorsports Bracket Set
- DD6114 Motorsports Stage Series Kit 12in
- DD6115 Motorsports Stage Series Kit 18in