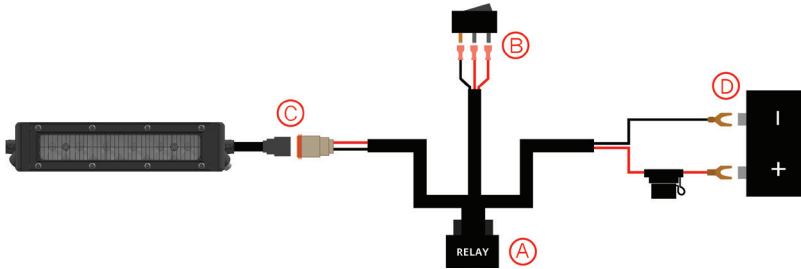


Thank you for your purchase of this Diode Dynamics Wiring Harness. Using standard Deutsch DT style connectors, this harness can be used for Stage Series LED Light bars, or other power supply needs. Basic installation instructions are included below. Please contact us if you have any questions.



1. Determine a suitable location to mount the relay. (A) We recommend a location that is near the battery.
2. Determine a suitable location to mount the switch and route the switch to that location. This may require going through the vehicle's firewall. We recommend unplugging the toggle switch from the harness to route the wires more easily. Drill an appropriate-sized hole for the switch. Then reconnect the wires to the switch and mount it (B).
3. Connect the wiring harness to the light bar (C). Next, route the harness to the battery. Be sure to avoid areas with excessive heat buildup or moving parts. We recommend following the path of the vehicle manufacturer's wiring harness.
4. Connect the split ring terminals on the wiring harness to the battery (D). The black (ground) wire should be connected to the negative battery terminal and the red (power) wire should be connected to the positive battery terminal.
5. Test thoroughly and aim the light bar in the desired direction. ***Please check your local laws and regulations for aiming, installation, and applicability.***

Kit Includes: 42" LED Light Bar, Mounting Hardware, Deutsch DT Connector



Features

- Advanced TIR (total internal reflection) optics
- High intensity 6000K Lumileds LEDs
- Slim design, for easy mounting
- Durable aluminum extrusion
- Pressure equalizing vent to eliminate condensation

Specifications

- Input Voltage: 9-24VDC
- Input Power: 224 watts
- Current Draw: 16 amps @ 14V
- Operating Temperature: -40° to 185°F
- Weight: 7.0 lbs

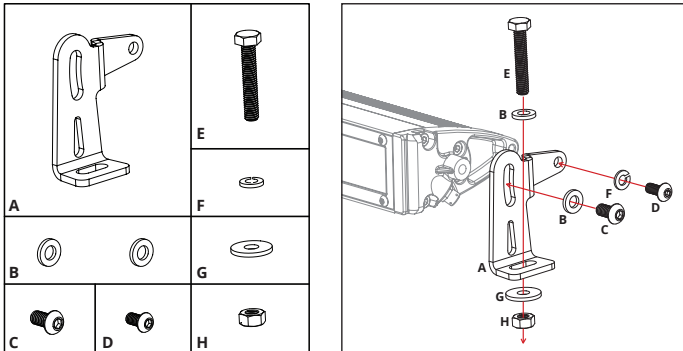
Wiring

Connect the red wire to positive supply, and black wire to negative or common ground.

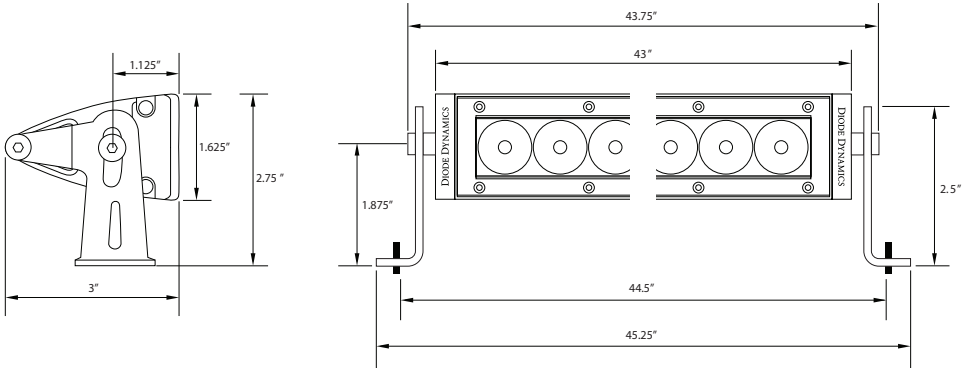
Please note: This auxiliary lamp draws high current, and requires adequately-sized wiring for safe operation. If you are not using a Diode Dynamics wire harness, use wire sized 16 AWG or larger. Please be mindful of current ratings and wire size, especially if splitting power signals to multiple light bars, or using switches. If you have any questions, please feel free to contact us for assistance.

Mounting

If you wish, you may use the included hardware to mount your light bar. A number of fasteners are included, and can be used as you see fit. The most common mounting style is shown below. Stage Series Light Bars are also compatible with most standard mounting brackets on the market. Reference the dimensions on opposite side to determine the best mounting solution for your application.

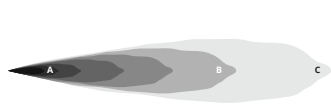


Dimensions

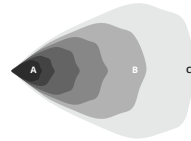


Output

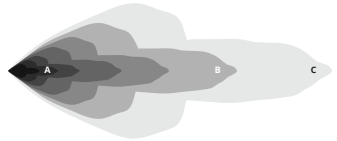
Driving



Flood



Combo



- A - lux at 10 meters
- B - Distance (m) with 1 lux
- C - Distance (m) with .25 lux

SS ₄₂ 42" Light Bar		A	B	C		
Lens Color/Optics	cd*	Illuminance (lx)			Measured Output	Output Color
White Driving	385,000	3,850	620	1,240	9,800 lumens	6000K White
White Flood	14,000	140	118	240	9,800 lumens	6000K White
White Combo	301,000	2,790	549	1,100	9,800 lumens	6000K White
Amber Driving	231,000	2,310	481	960	5,600 lumens	2000K Amber
Amber Flood	8,400	84	92	180	5,600 lumens	2000K Amber
Amber Combo	179,800	1,674	424	850	5,600 lumens	2000K Amber

* PEAK BEAM INTENSITY

This installation guide is for the following SKU:

- DD5020 SS42 White Driving Light Bar
- DD5034 SS42 White Combo Light Bar
- DD6038 SS42 White Flood Light Bar

- DD5042 SS42 Amber Driving Light Bar
- DD5056 SS42 Amber Combo Light Bar
- DD6046 SS42 Amber Flood Light Bar



Specifications

LENS COLOR/OPTICS	PEAK BEAM INTENSITY (CANDELA)	ILLUMINANCE (LUX @ 10M)	MEASURED OUTPUT (LUMENS)	RAW OUTPUT (LUMENS)	OUTPUT COLOR
White Driving	385,000 cd	3,850 lux	9,800 lm	15,960 lm	6000K White
White Combo	301,000 cd	2,790 lux	9,800 lm	15,960 lm	6000K White
White Flood	14,000 cd	140 lux	9,800 lm	15,960 lm	6000K White
Amber Driving	231,000 cd	2,310 lux	5,600 lm	7,980 lm	2000K Amber
Amber Combo	179,800 cd	1,674 lux	5,600 lm	7,980 lm	2000K Amber
Amber Flood	8,400 cd	84 lux	5,600 lm	7,980 lm	2000K Amber

Color Temp (CCT): 6000K

Beam Angle: Driving, 20°x8°, Combo (Driving and Flood), Flood, 80°x50°

Power (watts): 224

Operating Voltage: 9-16V

Current (amps @ 13.2V): 16

Polarity: Polarity Specific

Operating Temperature: -40C to 85C (-40F to 185F)

LED Emitter: Luxeon Z E5

Connector(s): Deutsch DT Input

Materials: Aluminum PCB, Polycarbonate Lens, Aluminum Heatsink

Cooling: Passive, heatsink

Intrusion Ratings: IP68 Waterproof

Product Dimensions (in): 43x3x1.63 If you would like CAD for your project, please contact us.