



RACING REAR TOE LINK KIT INSTALLATION INSTRUCTIONS

PART NUMBER R280-0012

APPLICATION: 2006 325i, 330i (E90)
2007-12 328i/xi, 335i/xi (E90, E92, E93)
2011-12 335is (E92, E93)
2008-12 128i, 135i (E82, E88)

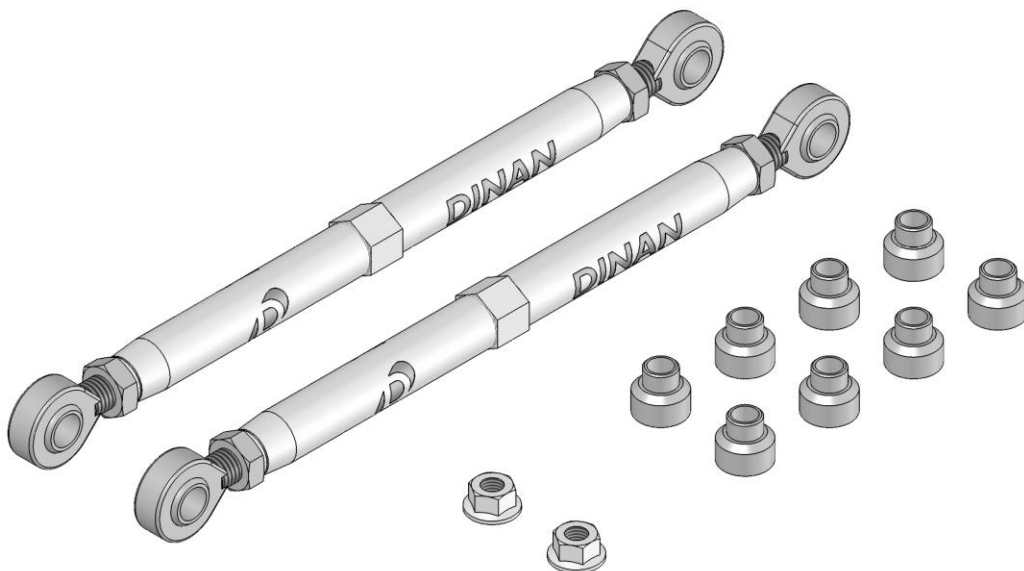
Congratulations for being selective enough to use a Dinan Engineering Rear Toe Link Kit. We have spent many hours developing this kit to assure that you will receive maximum performance and durability with minimum difficulty in installation. Please take the time to read these instructions and call us if you have any difficulties during the installation.

DO NOT WORK ON VEHICLES SUPPORTED BY A JACK ONLY. USE SECURE JACK STANDS!

WARNING:

This is a RACING-ONLY part. This product is not covered by Dinan's normal 4-year 50k-mile warranty. Racing-only parts may also affect the BMW warranty and emissions warranty. Please contact your Dinan Sales Representative if you have further questions.

This kit does not fit the E82 1-M Coupe or E90/E92/E93 M3. Contact Dinan for the appropriate kit for these vehicles.

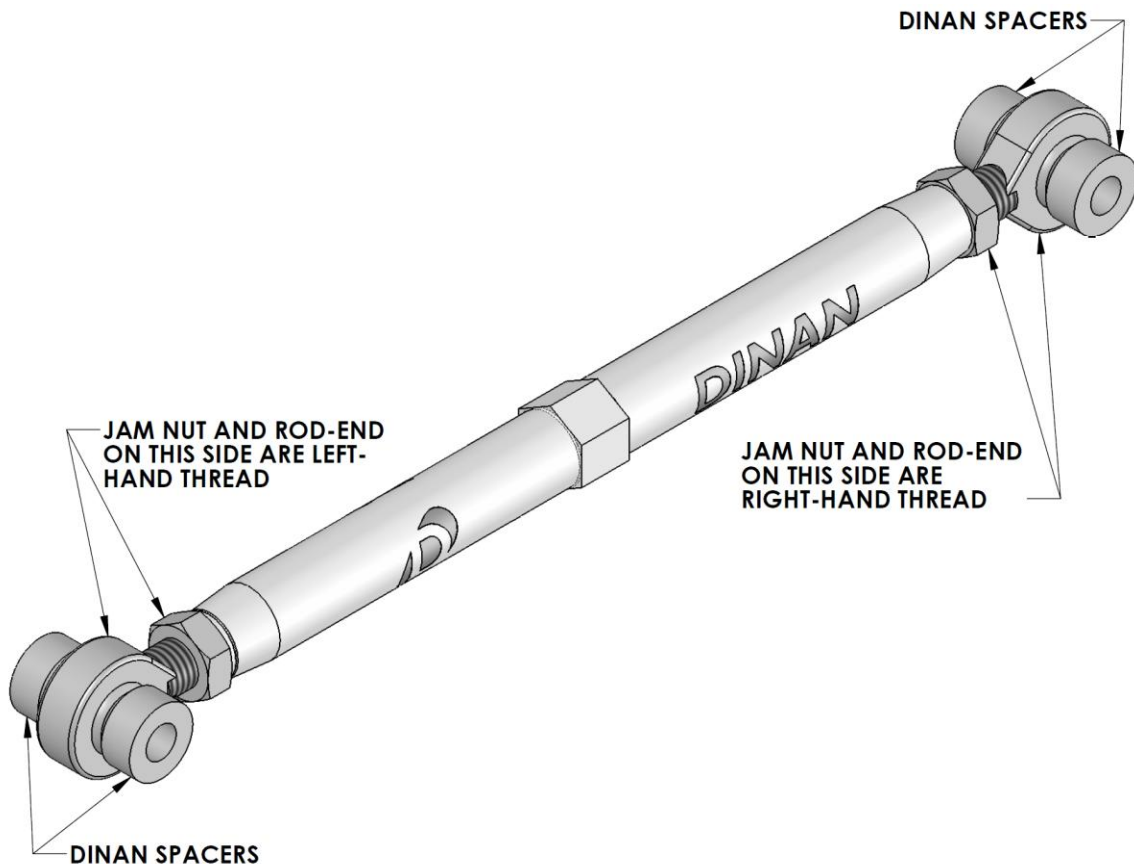


PARTS LIST

Qty	Part #	Description
2	D283-0014	Toe Link Assemblies
8	D282-0018	Toe Link Spacers
2	33 32 6 760 668	BMW Nuts w/ flange

INSTALLATION:

1. Remove rear wheels.
2. Mark the positions of the eccentric bolts on the rear subframe.
3. Remove the stock rear toe links per BMW recommended procedure.
4. If necessary, adjust the Dinan toe links to match the length of the stock toe links (see picture below).
 - Loosen the two jam nuts, noting that the hardware on the end with the “D” logo has left-hand threads.
 - Turn the center section to adjust the overall length of the toe link.
 - Tighten jam nuts.
5. Assemble the Dinan rear toe links and spacers as shown.



6. Install the Dinan rear toe links using the new nuts provided. Be sure to start the outboard bolts by hand a few turns first, before installing the inboard bolts, to prevent cross-threading of the outboard bolts.
7. Take care to align the eccentric bolts with the marks made in Step 2.
8. Torque fasteners to 74 ft-lbs.
9. Perform an alignment. There is no need to use the factory eccentrics to adjust the rear toe. Adjust rear toe using the Dinan toe link for improved precision.