



FRONT STRUT BRACE INSTALLATION INSTRUCTIONS

D180-0011

Fits: 2007-10 M3 (E90, E92, E93)



Congratulations on being selective enough to use a Dinan Engineering Front Strut Brace. We have spent many hours developing this kit to assure that you will receive maximum performance and durability with minimum difficulty in installation.

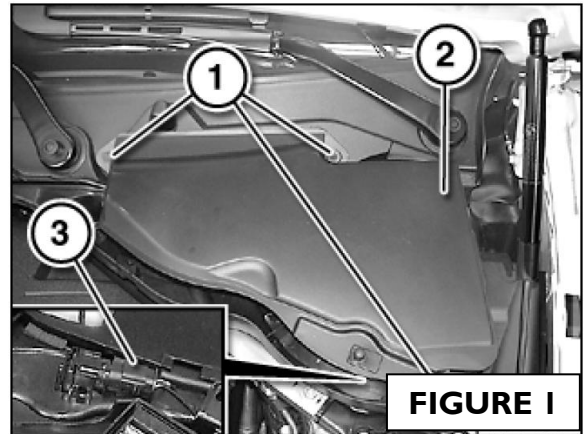
Please take the time to read these instructions thoroughly before proceeding. When performing the installation, read the entire numbered instruction before working on the vehicle. If you feel that you do not have the requisite skill, please arrange for a qualified repair facility to perform the installation.

PARTS LIST

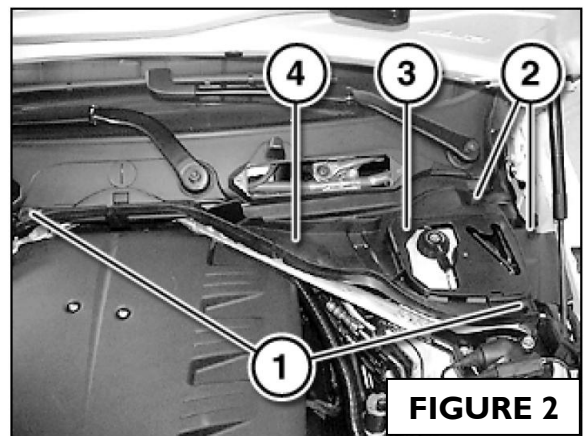
Qty	Part #	Description
1	D182-0045	Left Strut Brace (w/ "D" logo)
1	D182-0046	Right Strut Brace (w/ "DINAN")
1	D183-0030	Hardware Kit; includes (2) BMW M8x20mm Bolts (6) BMW M8 Lock Nuts

INSTALLATION INSTRUCTIONS

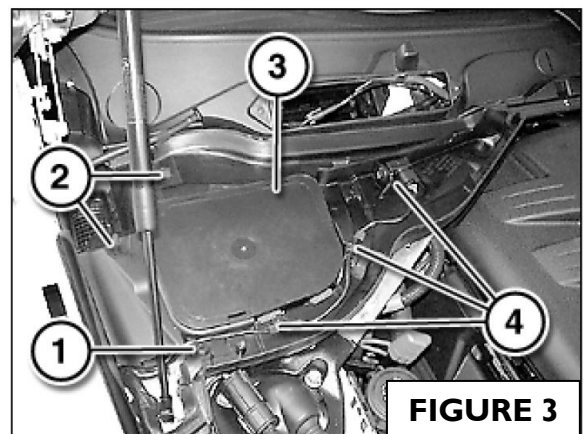
1. Remove upper left section of microfilter housing (see Figure 1).
 - A. Release the screws at (1).
 - B. Remove upper microfilter housing (2) and set aside.
 - C. If necessary, disconnect the hood switch (3).



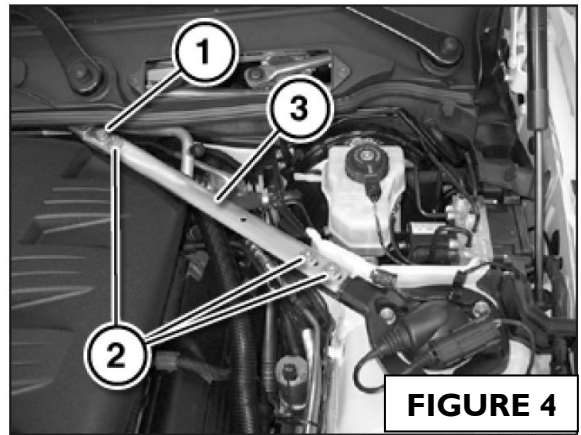
2. Remove lower left microfilter housing (see Figure 2).
 - A. Release the screws at (1).
 - B. Pull out rubber tab (2).
 - C. Remove cover (3) and lower microfilter housing (4) and set aside.



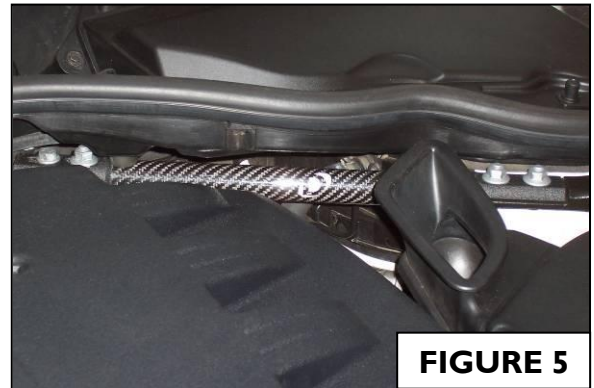
3. Remove upper right section of microfilter housing, similar to Step 1.
4. Remove lower right microfilter housing (see Figure 3).
 - A. Release screw (1).
 - B. Pull off rubber tabs (2) and remove cover (3).
 - C. Unclip sensor and wiring (4) and remove microfilter housing section.



5. Remove the screws (1) and nuts (2), and remove the stock braces (3) from the car (see Figure 4).



6. Install the Dinan strut braces, using the new hardware included.
 - A. The brace with the “D” logo fits on the driver-side (see Figure 5).



- B. The brace with “DINAN” fits on the passenger-side (see Figure 6).



7. Tighten all hardware to 25 ft-lbs.
8. Replace the microfilter housings.
9. Happy Motoring!