

DIGI-TAILS

DIGITAL TAILLIGHTS

1971 & 1972 CHEVELLE **SEQUENTIAL LED TAIL LIGHT KIT** **PN 1100471**



INSTALLATION GUIDE

Please refer to Invoice for full warranty information.
Digi-Tails is not a licensed GM product.

Note

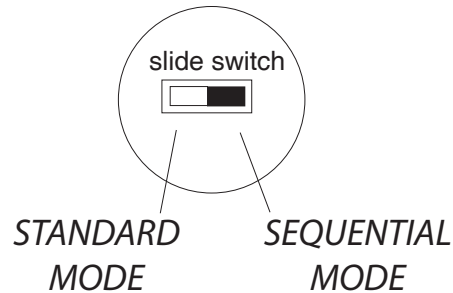
The LED boards are shipped with the slide switch set to Sequential mode. It is recommended that the slide switches on all the LED boards be set to the same setting. (either standard or sequential).

Please follow all local laws concerning exterior lighting.

Each board is marked with a white box as either a DRIVER SIDE or PASSENGER SIDE. Identify the boards and install the correct side.



Board location (Driver or Passenger side)



LED CIRCUIT BOARD INSTALLATION

1

Remove the negative terminal from the battery to cut off all power in your car. Press on the brake pedal to double check that your brake lights are not lighting up.

2

Remove the light sockets from the tail light housings. As a safety precaution, remove the bulbs out of the sockets and put them away, they will no longer be needed.

3

Remove the tail light housing assembly from the car. You may need to loosen the rear bumper a little to be able to work the tail light housing assembly off of the body. Take all safety precautions to make sure you don't scuff or scratch the paint in any way.

4

Lay out a soft towel or rag and gently lay down the housing so the frontside is facing up. Remove the 3 screws that hold the plastic lens onto the housing. Remove the lens and put it aside.

5

Clean the housing of any dirt or debris. Cut out the template from the template sheet and place it into the housing. Mark the the two locations to drill the mounting holes.

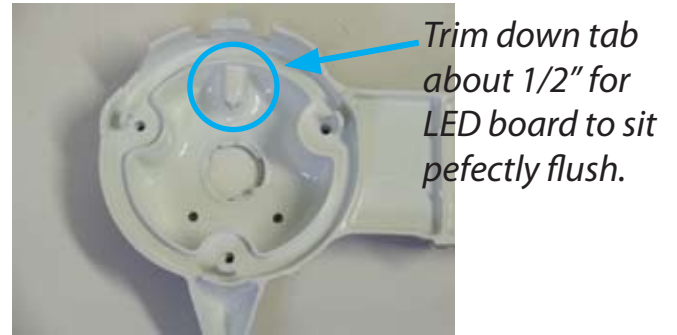
Place template into housing.



6

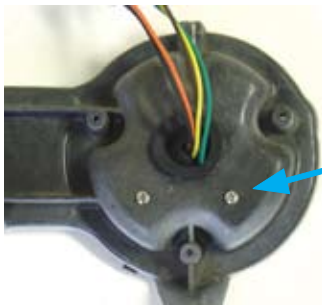
Drill the marked holes with a 5/32" drill bit. Clean any debris from the housing. Feed the wires through the light socket hole and place the LED into the housing. This will allow you to check the fit of the LED board.

For the LED board to sit perfectly flush, trim down the tab on the housing about 1/2 inch.



7

Once the fit is good, feed the wires back through the hole, place the LED into the housing and attach the two included screws through the backside of the housing. Place the included grommet around the wires and plug it into the light socket hole. The grommet will keep the wires from rubbing against the metal housing.



*LED board
Mounting
Screws.*



8

Carefully place the lens back onto the housing and screw on the 3 screws that hold the lens into place. Do not over tighten.

9

Carefully install the tail light housing assembly back onto your car. Make sure the housings fit in with ease and the body gaps are as they were before. Do not force anything as this may damage paint. The circuit board install is now complete. The wiring must now be spliced in.

Wire splicing installation

Pick a point in the rear body harness between the driver's side quarter panel and the driver's side tail light housing assembly and remove the cloth tape to expose the tail light wires.

Take the LED harness **DARK GREEN** wires and splice it with the original **DARK GREEN** wires.

Take the LED harness **YELLOW** wires and splice it with the original **YELLOW** wires.

The light socket ends on the car harness are no longer needed.

Take the LED harness **BROWN** wires and splice them in with the original **BROWN** wires. The ends going to the side marker lights must be included in the splice for the side markers to remain functional.

Take the **BLACK** ground wires and connect them all together. Bolt them to the trunk latch support along with the original rear body harness ground.

Note: A good ground connection is essential to the operation of the LED tail lights.

An **ORANGE** power wire is supplied along with a T-Tap. The orange power wire must be supplied with a constant 12 volt battery supply for the LED circuitry to operate properly. The T-Tap connector is used to splice to the constant power source, like the dome light wire.

Splice the T-Tap connector into the constant power wire, then plug the orange wire into the T-Tap. The other end of the orange wire is spliced into the LED harness Orange wires.

The last page is a wire diagram of how the LED harness splices into the car's original harness.



Insert wire onto T-Tap

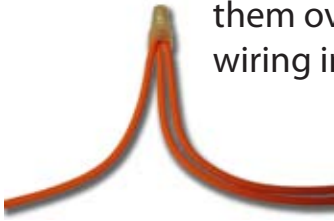


Crimp with pliers



Plug connector into T-Tap

To keep the wires neatly tucked and inline, take the spliced sections and fold them over to one side and tape them in place. This will allow you to place the wiring into loom or have the ability to wrap the LED harness wiring tightly away.



Wires spliced together.



Fold wires over to a side.



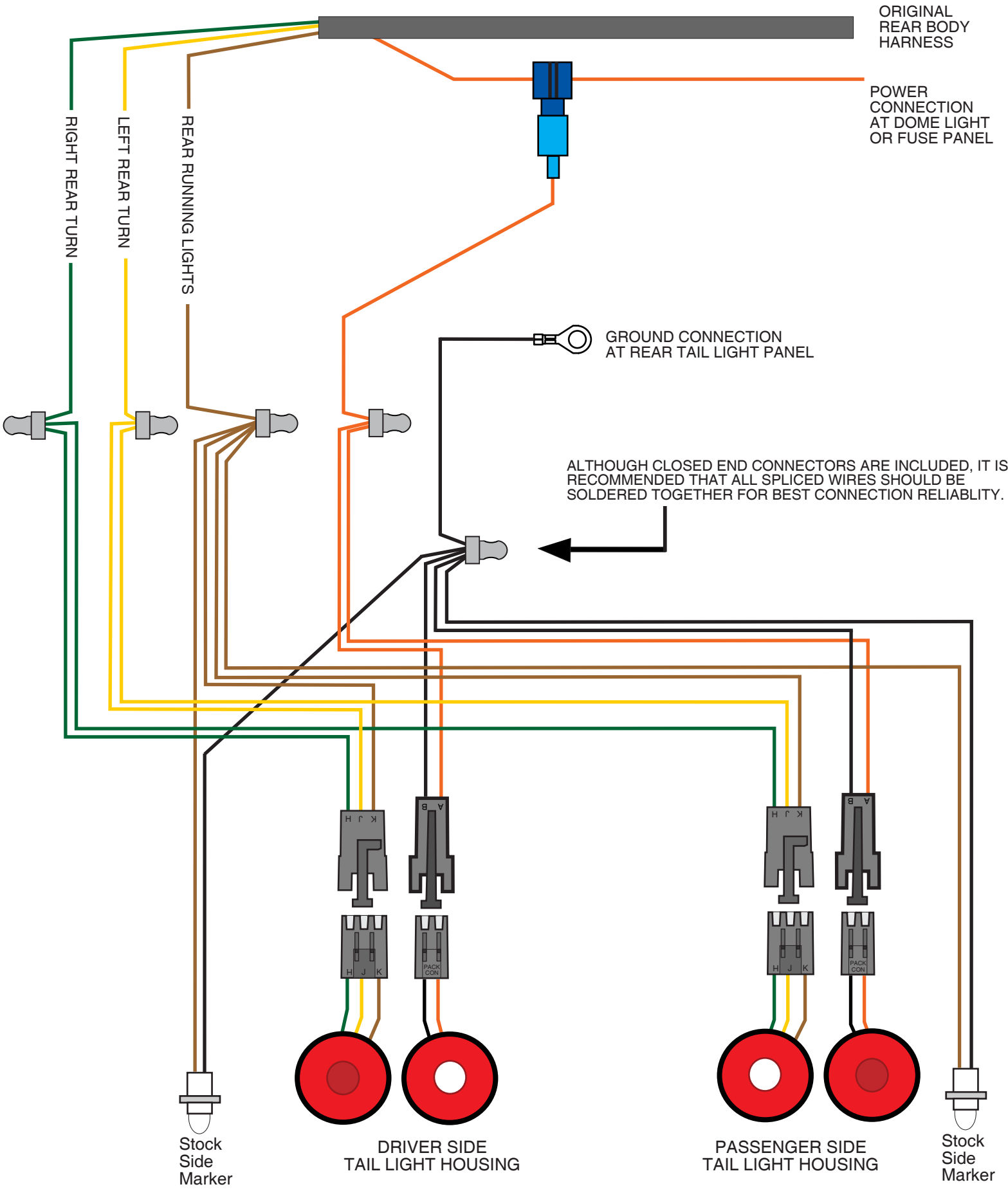
Wrap with tape to hold in place.

The LED light kits are designed for best performance when using an electronic no-load flasher. Shown here is an optional electronic no-load flasher (PN 200002) available from Spaghetti Engineering.

When using a stock bi-metal flasher, it is recommended that a standard duty flasher be used instead of a heavy duty flasher. If your turn signal circuit includes LED turn signals in the front as well as the rear, the turn signal circuit will not have enough resistance load to operate an original bi-metal flasher and this no-load flasher will be required for both the turn signal and hazard flashers.



Black wire must be grounded



ORIGINAL REAR BODY HARNESS

POWER CONNECTION AT DOME LIGHT OR FUSE PANEL

RIGHT REAR TURN

LEFT REAR TURN

REAR RUNNING LIGHTS

GROUND CONNECTION AT REAR TAIL LIGHT PANEL

ALTHOUGH CLOSED END CONNECTORS ARE INCLUDED, IT IS RECOMMENDED THAT ALL SPLICED WIRES SHOULD BE SOLDERED TOGETHER FOR BEST CONNECTION RELIABILITY.

Stock Side Marker

DRIVER SIDE TAIL LIGHT HOUSING

PASSENGER SIDE TAIL LIGHT HOUSING

Stock Side Marker