



INSTALLATION INSTRUCTIONS

LS OIL COOLER BYPASS ADAPTER KIT

PART # 35611 & 35621

Please read these instructions completely before beginning installation

KIT CONTENTS

QTY.	DESCRIPTION	QTY.	DESCRIPTION
1	LS Bypass Adapter	2	1/8" NPT Plugs
2	Adapter O-rings	2	M6 x 1.0mm bolts

TOOLS NEEDED

3/16" hex-drive
5mm hex-drive
Thread Sealant Tape

WARNING: DO NOT CAP OFF THE OIL COOLER PORTS after the adapter is installed. Running the engine with the ports capped will block oil flow and result in catastrophic engine damage! The IN and OUT ports must be either connected to an oil cooler or looped together for oil to flow to the engine.

INSTALLATION

1. Loosely install the -AN adapter fittings (Not Supplied) into the thermostat block.

Note: Lubricate the -AN fitting O-rings with engine oil to prevent O-ring damage.

2. Install the provided NPT plugs into the oil cooler adapter using a 3/16" hex-drive. DO NOT overtighten.
3. If using a sensor, disconnect the wire harness from the sensor and install the sensor into the adapter. Use Thread Sealant tape for NPT sensors.
4. Connect the oil cooler system lines to the adapter.
5. Install the oil cooler bypass adapter and o-rings onto the oil pan using the M6 socket screws and a 5 mm hex-drive, shown in Diagram #2. Torque to a maximum of 120 lb-in.
6. Fill a new oil filter with engine oil and install the filter.
7. Fill the oil cooler with oil.
8. Connect and tighten the system lines. DO NOT overtighten.
9. Secure the oil cooler to the vehicle.

Note: Ensure the oil cooler is isolated from vibration.

10. Check the engine oil level and add oil if needed.
11. Start the vehicle and inspect for leaks.
12. Turn-off the vehicle and inspect the engine oil level. Add oil if necessary.
13. Re-inspect the oil lines and fittings for leaks after 100 miles of driving.

Diagram #1

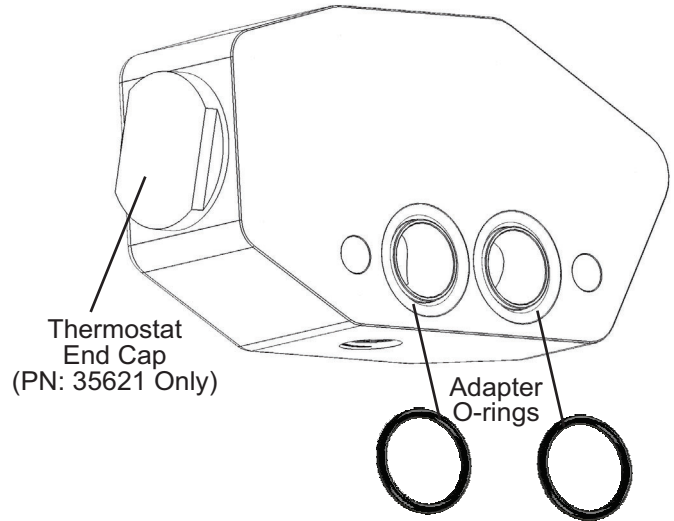
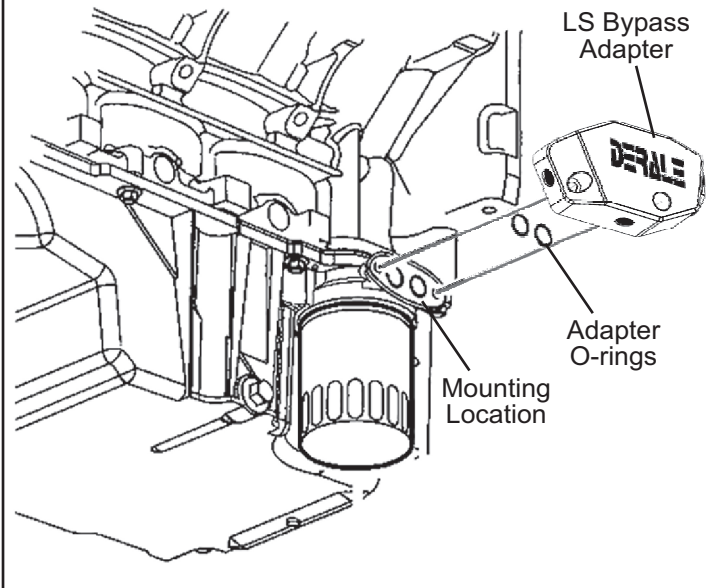


Diagram #2



Warning: Installation of accessories should only be undertaken by those with mechanical knowledge and are familiar with working on vehicles. Always use eye protection (goggles, safety glasses or shield). Park the vehicle in a well lit area, on level ground and apply the parking brake. Only work on a cold vehicle that has been sitting overnight, failure to do so will result in severe burns and injury. Before starting the vehicle, make sure no tools or any other items are left under hood that could interfere with or be drawn into moving parts of the engine. Failure to follow instructions can lead to severe damage and personal injury.