



# INSTALLATION INSTRUCTIONS HIGH OUTPUT SINGLE RAD FAN PART # 16918

Please read these instructions completely before beginning installation

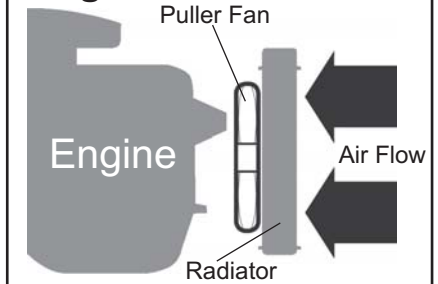
## KIT CONTENTS

QTY.	DESCRIPTION	QTY.	DESCRIPTION
1	Fan Shroud Assembly	4	Mounting Clips
4	Mounting Rods	4	1x1 Foam Pads

## TOOLS NEEDED

Dyke Pliers  
 Standard Screw Driver or  
 5/16" Nut Driver  
 Drill  
 5/32" Drill Bit  
 12V Test Light  
 Wire Stripper  
 Crimping Tool

## Diagram #1



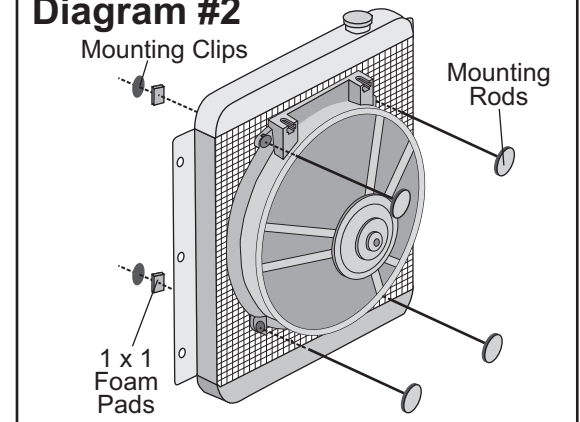
## IMPORTANT

This fan assembly is designed for PULLER APPLICATIONS ONLY Engine side of radiator.  
 (See Diagram #1)

## MOUNTING

1. Position the electric fan against the radiator in the desired location.
  2. Take the Plastic Rods provided and install through the four mounting holes on the shroud pushing them slowly into and through the radiator core. (See Diagram #2)
- Caution:** Do not use excessive force when pushing Mounting Rods through radiator core. Excessive force could cause damage to the radiator fins and/or core. Plastic Rods should not be inserted thru both the radiator and the condenser cores.
3. Take the 1 x 1 Foam Pads provided and install them onto the Plastic Rods now protruding through the radiator core. (See Diagram #2)
  4. Take the Mounting Clips provided, making sure they are in the correct direction (Deraled writing out) install onto the Plastic Rods and cinch them until the 1 x 1 Foam Pads are compressed. (See Diagram #2)
  5. Cut off the excess Mounting Rods.

## Diagram #2



## WIRING

This fan is designed for use on a 12V system. It can be used as a puller fan with the wires configured as indicated below.

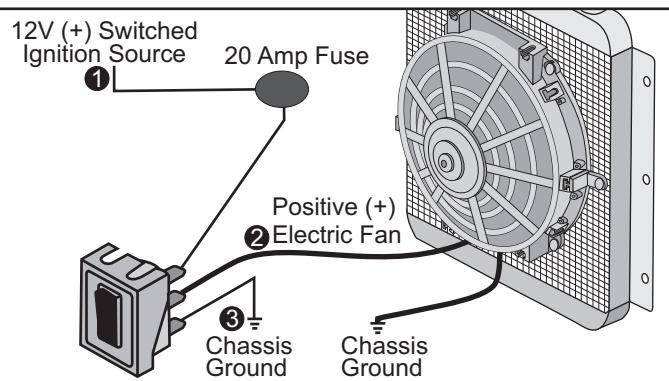
Positive 12V Wire (+): Blue

Negative Wire (-): Black

**NOTE:** To confirm color of positive fan leads see Red/Silver manufacturers label on the electric fan.

### TYPICAL MANUAL SWITCH WIRING MANUAL SWITCH AND ELECTRICAL COMPONENTS NOT INCLUDED.

**Important:** Before beginning reference the Product Label on the Electric Fan for the factory fan configuration and Positive fan lead color. If you wish to configure the Electric Fan opposite of the factory setting, the Positive (+) and Negative (-) Electric Fan leads MUST be switched.



**Warning:** Installation of accessories should only be undertaken by those with mechanical knowledge and are familiar with working on vehicles. Always use eye protection (goggles, safety glasses or shield). Park the vehicle in a well lit area, on level ground and apply the parking brake. Only work on a cold vehicle that has been sitting overnight, failure to do so will result in severe burns and injury. Before starting the vehicle, make sure no tools or any other items are left under hood that could interfere with or be drawn into moving parts of the engine. Failure to follow instructions can lead to severe damage and personal injury.