



# INSTALLATION INSTRUCTIONS TORNADO ELECTRIC FAN KIT PART # 16507, 16508, 16509 & 16512

Please read these instructions completely before beginning installation

## KIT CONTENTS

QTY.	DESCRIPTION	QTY.	DESCRIPTION
1	Electric Fan Assembly	3	Blue Female Connector
4	Mounting Rod	1	Blue Wire Tap Connector
4	Mounting Clip	2	#10 Blue Ring Terminal
4	Mounting Feet	3	Blue Butt Connector
4	1x1 Foam Pad	4	#10 x 1/2" Sheet Metal Screws
1	Manual Switch	4	4" Zip Ties
7ft	14 Gauge Wire		

## TOOLS NEEDED

Standard Screw Driver  
Drill  
5/32" Drill Bit  
12V Test Light  
Wire Stripper  
Crimping Tool  
Dyke Pliers

## IMPORTANT

This fan assembly is designed for both **PUSHER** and **PULLER** applications.  
To change airflow direction from the factory setting, you **MUST** follow the directions below or performance will be compromised. (See Diagram #1)

## PRE-INSTALLATION

**Important:** Tornado Electric Fans come from the factory with a product label installed on one end of the fan shroud. Before installation check the product label to confirm airflow direction and positive electric fan lead color. Airflow direction will be shown with an arrow.

**This fan is factory setup PULLER applications**

### Changing airflow direction

To change the airflow direction from the factory setting:

1. Remove the Nut or Clip that holds the electric fan blade onto the motor shaft.
2. Carefully remove the fan blade from the motor shaft.
- Note:** This is an interference fit and requires some effort.
3. Flip the fan blade upside down and reinstall onto the motor shaft. Make sure the roll pin on the motor shaft is aligned with the slot on the fan blade.
4. Reinstall nut or clip on motor shaft.

**Important:** For Puller applications use the referenced wire colors stated on the Product Label. For Pusher applications the two wires **MUST** be reversed to change airflow direction.

## ELECTRIC FAN MOUNTING

1. Take the four supplied Mounting Feet and install them onto the Fan Shroud in the desired locations around the perimeter of the shroud. (See Diagram #2)
2. Position the Fan Assembly against the radiator or air conditioning condenser.
3. Take the four Mounting Rods and carefully install them through the Mounting Feet and then through EITHER the radiator or air conditioning condenser. (See Diagram #2 & 3)

**Caution:** Do not use excessive force when installing Mounting Rods; damage to the radiator or condenser tubes could occur. Mounting Rods should not be installed through **BOTH** the radiator and air conditioning condenser.

4. Take the four 1 x 1 Foam Pads and remove the paper backing. Now install them (sticky side toward the core) onto the Mounting Rods now protruding through the radiator or air conditioning condenser. (See Diagram #3)
5. Take the four Mounting Clips supplied and install them onto the Mounting Rods. The Mounting Clips can only be used one time, so make sure the Fan Assembly is in the correct location. (See Diagram #3)
6. Secure Mounting Clips until 1 x 1 Foam Pads are slightly compressed.
7. Cut off any excess Mounting Rod.

Diagram #1

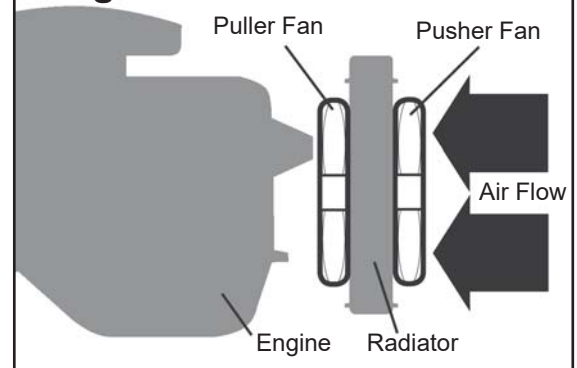


Diagram #2

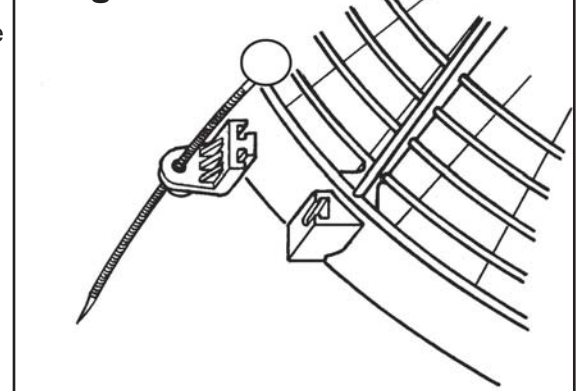
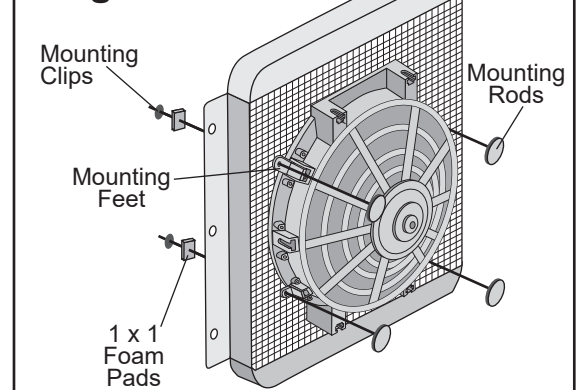


Diagram #3



(Continues on Page 2)

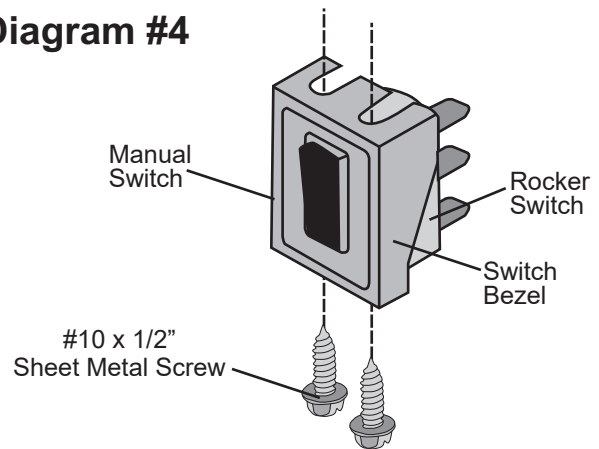
## MANUAL SWITCH MOUNTING

1. Find a location in the vehicles passenger compartment.
2. Using the Manual Switch as a template, mark and drill two 5/32" holes.

**Note:** Rocker Switch can be removed from Switch Bezel by pinching the tabs on the top and bottom of the Rocker Switch.

3. Using the supplied #10 x 1/2" Sheet Metal Screws, attach the Manual Switch in the desired location.

### Diagram #4



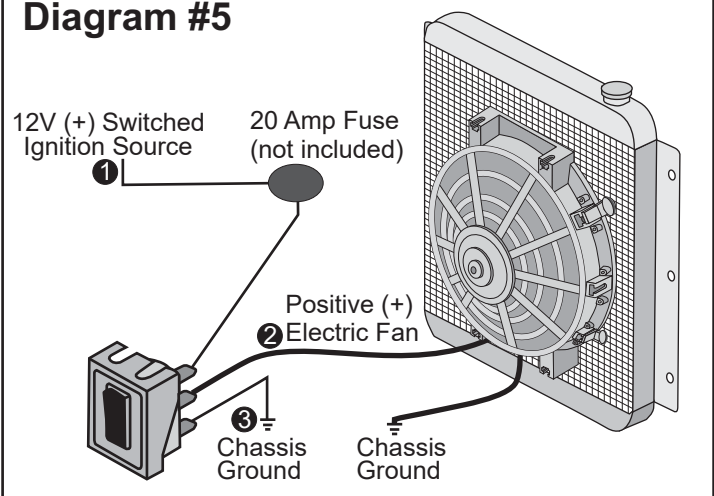
## WIRING

**Important:** Before beginning reference the Product Label on the Electric Fan for the factory fan configuration and Positive fan lead color. If you wish to configure the Electric Fan opposite of the factory setting, the Positive (+) and Negative (-) Electric Fan leads MUST be switched.

1. Disconnect the Negative (-) terminal on the vehicles battery.
2. Using the #10 Ring Terminal & #10 x 1/2" Sheet Metal Screw supplied, attach the Negative (-) Electric Fan lead to a good chassis Ground (-).
3. Using the 14 Gauge Wire, Blue Female Connector & Blue Butt Connector supplied, attach the Positive (+) Electric Fan lead to the #2 terminal on the Manual Switch.
4. Using the 14 Gauge Wire, #10 Ring Terminal & #10 x 1/2" Sheet Metal Screw supplied, attach the #3 terminal on the Manual Switch to a good chassis Ground (-).
5. Using the 14 Gauge Wire, Fuse Holder, Blue Female Connector, Blue Butt Connectors & Blue Wire Tap Connector supplied, attach one end of the wire to a Positive (+) switched ignition source.
6. Attach the other end of the wire to a 20 Amp fused Circuit (Fuse not included).
7. Then run wire from the fuse and attach to the #1 terminal on the Manual Switch.
8. Reattach the Negative (-) terminal to the vehicles battery.

**Important:** For Puller applications use the referenced wire colors stated on the Product Label. For Pusher applications the two wires MUST be reversed to change airflow direction.

### Diagram #5



## TROUBLESHOOTING Q&A

Q: Why Doesn't the Electric Fan turn on when I flip the Manual Switch?

A: 1. Check all connections to make sure all wires are crimped correctly.

2. Check all Chassis Ground (-) connections to make sure all paint is sanded off and you are getting metal to metal contact.

Q: Why is the Electric Fan blowing in the wrong direction?

A: Switch the Positive (+) and Negative (-) Electric Fan leads. This will reverse the airflow direction.

(Page 2)

**Warning:** Installation of accessories should only be undertaken by those with mechanical knowledge and are familiar with working on vehicles. Always use eye protection (goggles, safety glasses or shield). Park the vehicle in a well lit area, on level ground and apply the parking brake. Only work on a cold vehicle that has been sitting overnight, failure to do so will result in severe burns and injury. Before starting the vehicle, make sure no tools or any other items are left under hood that could interfere with or be drawn into moving parts of the engine. Failure to follow instructions can lead to severe damage and personal injury.