



Cabin Air Filter

Removal & Installation Instructions

To maintain air conditioning efficiency, replace the air filter according to the manufacturer's maintenance schedule.

Always use an air filter. Removing the filter may decrease system performance by allowing dust to lower the efficiency of A/C and heating system components.

Prior to the installation of this DENSO First Time Fit® Cabin Air Filter, you must read these instructions completely.

Definition of Terms

- ⚠WARNING:** Describes precautions that should be observed in order to prevent injury or death to the user during installation.
- ⚠CAUTION:** Describes precautions that should be observed in order to prevent damage to the vehicle or its components, which may occur during installation if sufficient care is not taken.
- NOTE:** Provides additional information that facilitates installation work.

General Service Information and Requirements

⚠WARNING: To prevent the Supplemental Restraint System (SRS, Air Bag System) from operating, remove the ground (negative) cable from the battery, then wait at least 90 seconds before starting this procedure. This allows the backup power system to discharge.

NOTE: For more detailed instructions please refer to the vehicle manufacturer's service manual.

REQUIRED TOOLS:

- Safety Goggles
- Assorted Hand Tools

SAFETY PRECAUTIONS:

- Always wear safety goggles

Cabin Air Filter Removal

The information below explains necessary procedures and tools to remove and install the Cabin Air Filter (CAF).

NOTE: This CAF and corresponding installation instructions are designed for multiple vehicles and model years. Although every consideration and resource was used during its creation, the instructions may not match exactly to your vehicle; however it is DENSO's expectation that these instructions will be able to direct the installer through the CAF replacement.

NISSAN ALTIMA SEDAN

1. Disengage filter cover tab (1) to remove filter cover. Use care when lifting up on tab to avoid damaging it.
2. Remove cabin air filter.

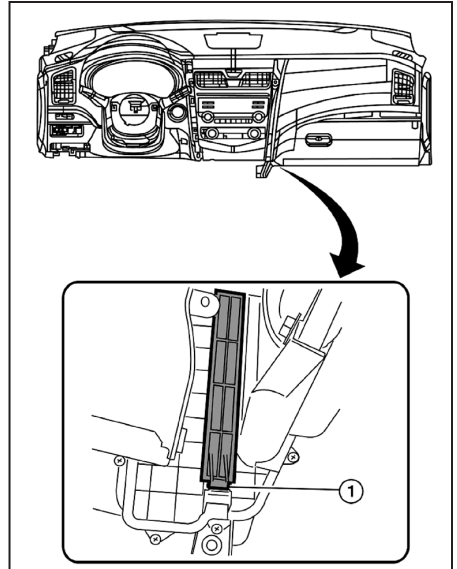


Fig. 1

NISSAN ALTIMA COUPE

1. Open glove compartment.
2. Remove glove compartment attaching screws and glove compartment.

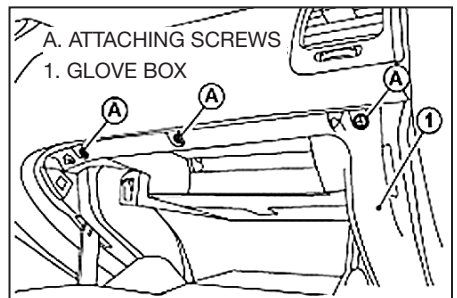


Fig. 2

3. Remove right hand console side finisher panel.

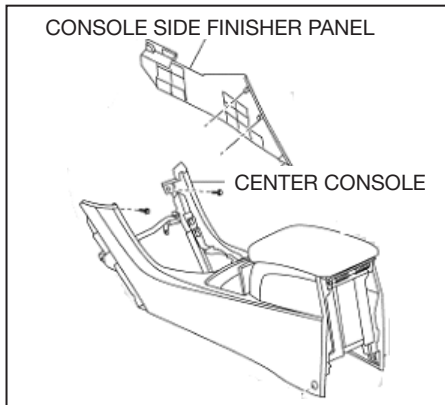


Fig. 3

4. Push release tab on filter cover and remove filter cover.
5. Remove cabin air filter.

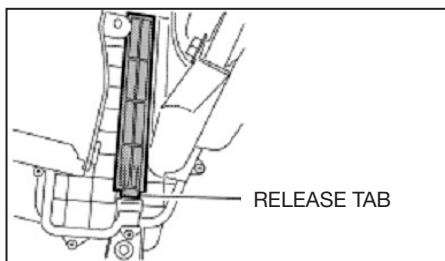


Fig. 4

NISSAN PATHFINDER / INFINITY JX35 AND 2013 Q60

1. Remove right hand center console side finisher.
2. Release in-cabin air filter cover tab (A) and remove cover from under right hand side of instrument panel. Carefully lift up on tab to avoid damaging it.
3. Remove cabin air filter.

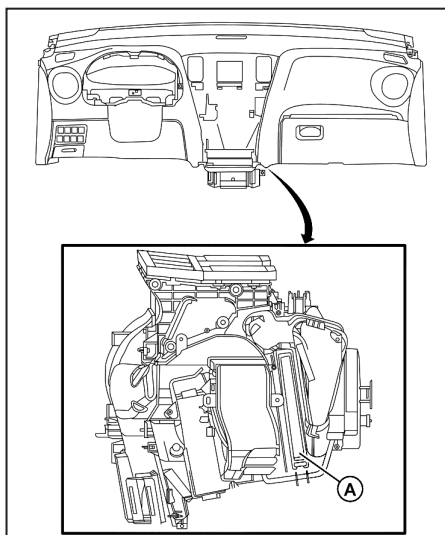


Fig. 5

2014 INFINITY Q60

1. Pull downward on instrument panel right hand lower cover to disengage pawls and remove cover.
2. Open glove compartment.
3. Carefully pull upward on glove compartment to detach it from instrument panel.
4. From left hand side of glove compartment, disconnect damper pin and remove glove compartment.
5. Remove instrument panel lower right hand panel retaining screws and lower right hand panel.
6. Remove cabin air filter cover.
7. Remove cabin air filter.

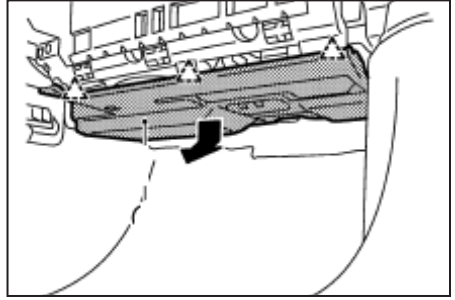


Fig. 6

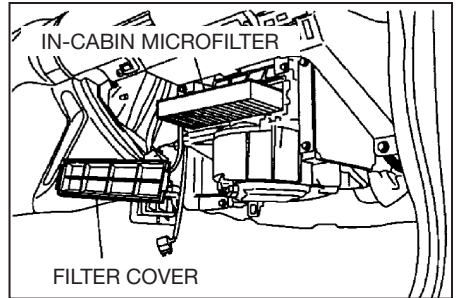


Fig. 7

Cabin Air Filter Installation

1. Install new cabin air filter element. If filter is equipped with air flow markings, ensure marking is facing the proper direction.
2. Install cabin air filter cover. Ensure cover is properly installed.
3. Reinstall previously removed parts in reverse order.

Noise Test

1. Reconnect the battery ground cable.
2. Engine ON, A/C ON, blower speed on high.
3. Listen for any abnormal air noises from the air filter area.