



Cabin Air Filter

Removal & Installation Instructions

To maintain air conditioning efficiency, replace the air filter according to the manufacturer's maintenance schedule.

Always use an air filter. Removing the filter may decrease system performance by allowing dust to lower the efficiency of A/C and heating system components.

Prior to the installation of this DENSO First Time Fit® Cabin Air Filter, you must read these instructions completely.

Definition of Terms

- ⚠WARNING:** Describes precautions that should be observed in order to prevent injury or death to the user during installation.
- ⚠CAUTION:** Describes precautions that should be observed in order to prevent damage to the vehicle or its components, which may occur during installation if sufficient care is not taken.
- NOTE:** Provides additional information that facilitates installation work.

General Service Information and Requirements

⚠WARNING: To prevent the Supplemental Restraint System (SRS, Air Bag System) from operating, remove the ground (negative) cable from the battery, then wait at least 90 seconds before starting this procedure. This allows the backup power system to discharge.

NOTE: For more detailed instructions please refer to the vehicle manufacturer's service manual.

REQUIRED TOOLS:

- Safety Goggles
- Assorted Hand Tools

SAFETY PRECAUTIONS:

- Always wear safety goggles

Cabin Air Filter Removal

The information below explains necessary procedures and tools to remove and install the Cabin Air Filter (CAF).

1. Open glove compartment and squeeze tabs inward.
2. Lower glove box and release hinges, then remove glove box.
3. Disengage two retaining tabs that secure two air filter access doors to A/C-heater housing.

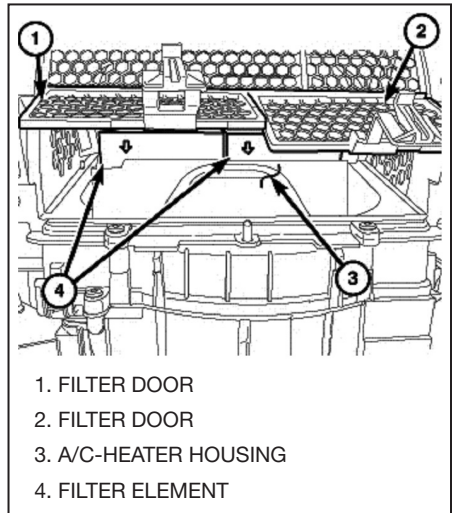


Fig. 1

4. Open filter doors and remove cabin air filter element from A/C-heater housing.

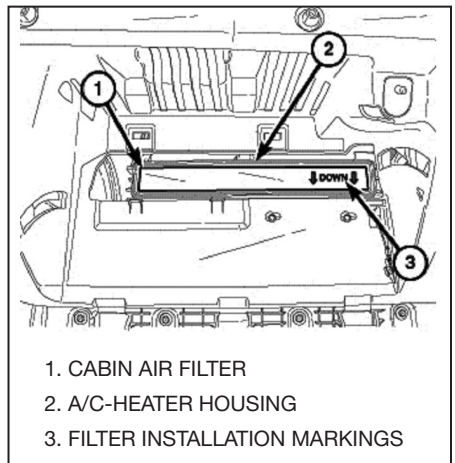


Fig. 2

Cabin Air Filter Installation

5. Install new cabin air filter element.
6. Close cabin air filter doors and engage retaining tabs. Ensure retaining tabs are properly engaged.
7. Reinstall previously removed parts in reverse order.

Noise Test

8. Reconnect the battery ground cable.
9. Engine ON, A/C ON, blower speed on high.
10. Listen for any abnormal air noises from the air filter area.