



Cabin Air Filter

Removal & Installation Instructions

To maintain air conditioning efficiency, replace the air filter according to the manufacturer's maintenance schedule.

Always use an air filter. Removing the filter may decrease system performance by allowing dust to lower the efficiency of A/C and heating system components.

Prior to the installation of this DENSO First Time Fit® Cabin Air Filter, you must read these instructions completely.

Definition of Terms

- ⚠WARNING:** Describes precautions that should be observed in order to prevent injury or death to the user during installation.
- ⚠CAUTION:** Describes precautions that should be observed in order to prevent damage to the vehicle or its components, which may occur during installation if sufficient care is not taken.
- NOTE:** Provides additional information that facilitates installation work.

General Service Information and Requirements

⚠WARNING: To prevent the Supplemental Restraint System (SRS, Air Bag System) from operating, remove the ground (negative) cable from the battery, then wait at least 90 seconds before starting this procedure. This allows the backup power system to discharge.

NOTE: For more detailed instructions please refer to the vehicle manufacturer's service manual.

REQUIRED TOOLS:

- Safety Goggles
- Assorted Hand Tools

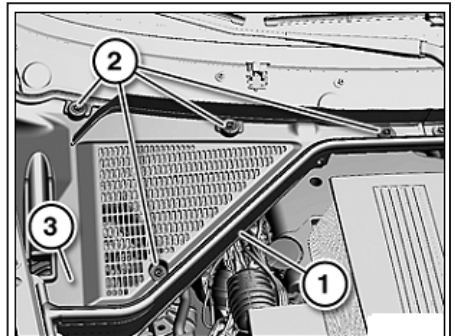
SAFETY PRECAUTIONS:

- Always wear safety goggles

Cabin Air Filter Removal

The information below explains necessary procedures and tools to remove and install the Cabin Air Filter (CAF).

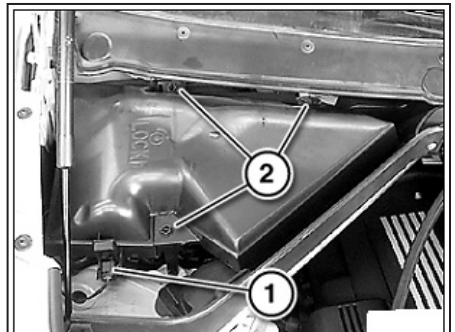
1. Open and support hood.
2. Remove seal strip from right hand side of cowl. (See Fig. 1)
3. Turn cabin air filter cover fasteners and remove cover.



- 1 - Seal
- 2 - Fasteners
- 3 - Cover

Fig. 1

4. Disconnect wire harness plug from cabin air filter housing. (See Fig. 2)
5. Disengage three (3) cabin air filter housing fasteners and remove housing.



- 1 - Wire Harness Plug
- 2 - Fasteners

Fig. 2

6. Disengage retainers and remove cabin air filter from housing. (See Fig. 3)

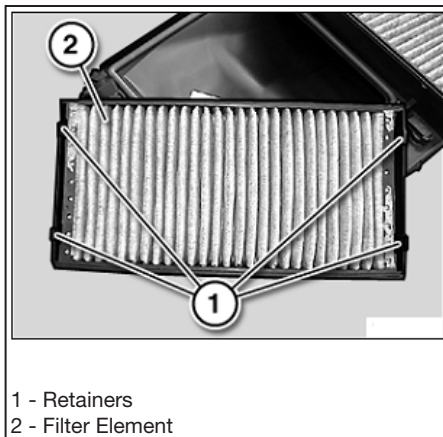


Fig. 3

Cabin Air Filter Installation

7. Install new cabin air filter into filter housing.
8. Reinstall cabin air filter cover. Ensure cabin air filter is properly seated in the housing.
9. Position cabin air filter housing cowl and secure housing by turning the three (3) fasteners.
10. Connect wire harness plug to cabin air filter housing.
11. Reinstall cabin air filter cover and secure by turning fasteners.
12. Reinstall seal strip.

Noise Test

13. Reconnect the battery ground cable.
14. Engine ON, A/C ON, blower speed on high.
15. Listen for any abnormal air noises from the air filter area.
16. Close hood.